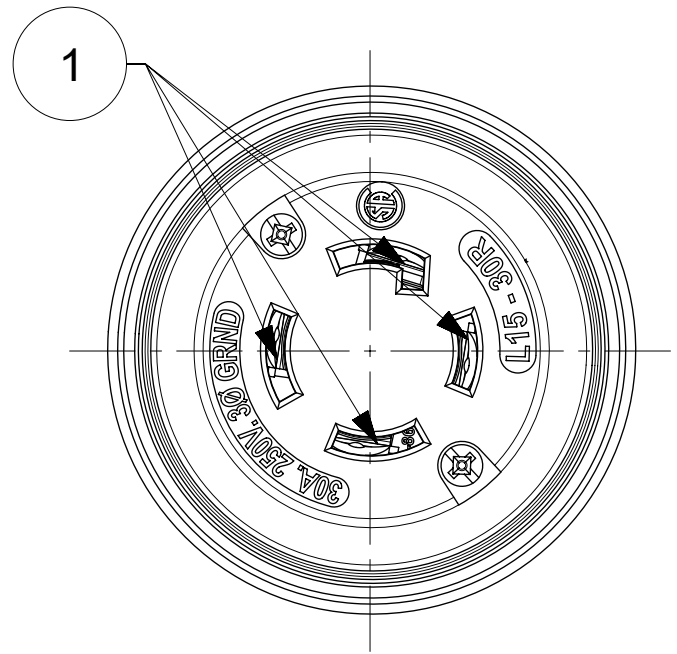
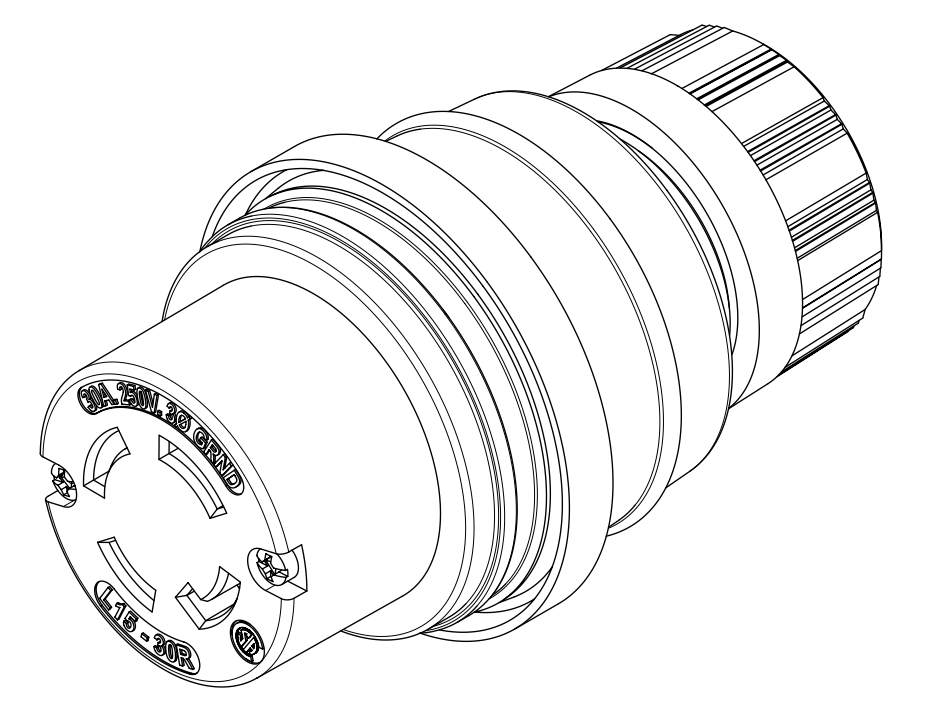
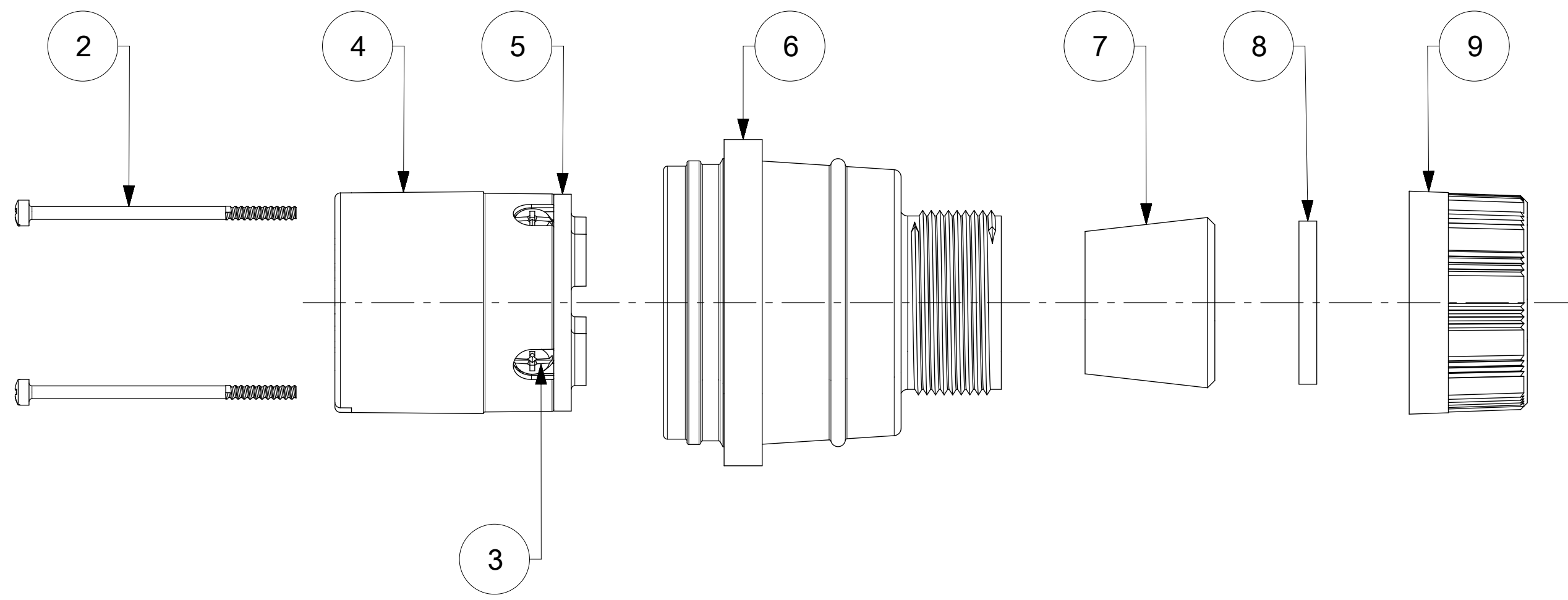
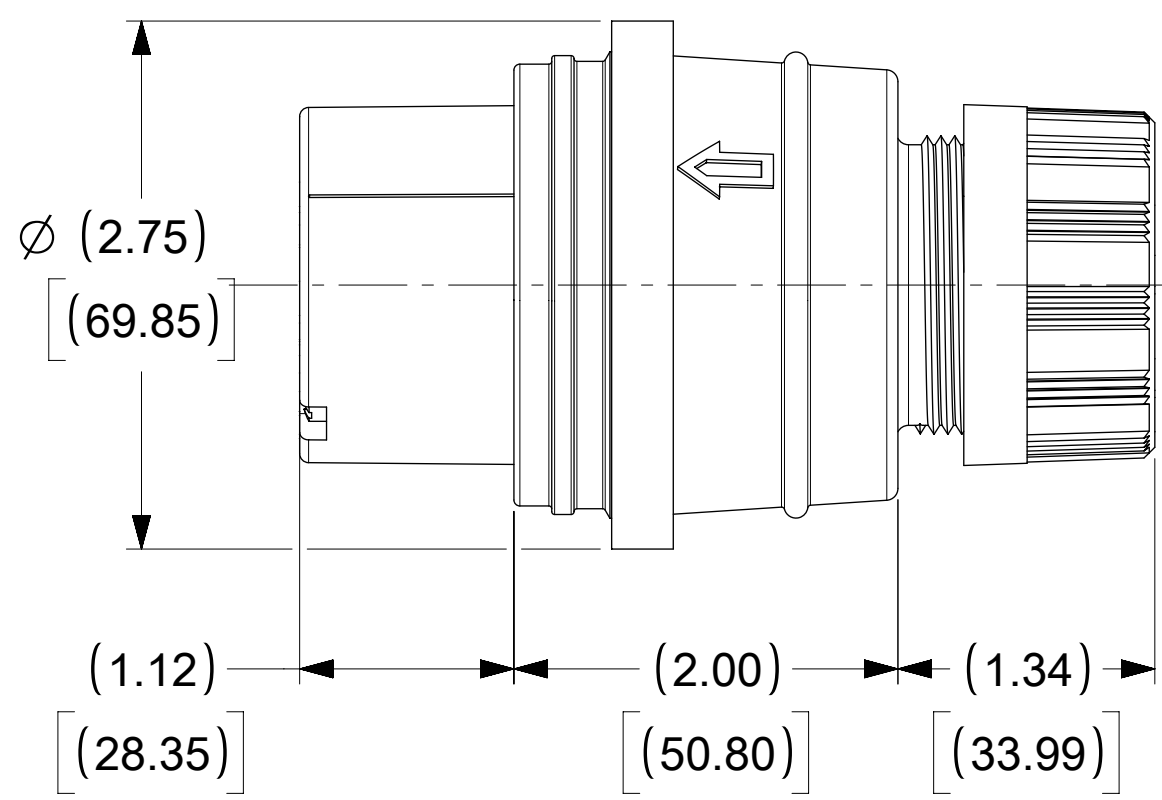


ORDER NO.	WOODHEAD NO.	COLOR
130147-0305	29W75MB-P	YELLOW



FACE VIEW



ITEM NO.	DESCRIPTIONS	MATERIAL	QTY.
1	BLADE	BRASS, NICKEL PLATED	4
2	RETAINING SCREWS	STAINLESS STEEL	2
3	CLAMP AND TERMINAL SCREW ASSY	BRASS, ZINC PLATED	4
4	INSERT	NYLON	1
5	TERMINAL COVER	POLYCARBONATE	1
6	HOUSING	SILICON WITH NYLON THREAD	1
7	GROMMET	RUBBER	4
8	FRICTION RING	NYLON	1
9	COMPRESSION NUT	NYLON	1

THIS DRAWING CONTAINS INFORMATION THAT IS PROPRIETARY TO MOLEX ELECTRONIC TECHNOLOGIES, LLC AND SHOULD NOT BE USED WITHOUT WRITTEN PERMISSION			
DIMENSION UNITS: INCH[MM] SCALE: NTS		CURRENT REV DESC: RELEASED	
GENERAL TOLERANCES (UNLESS SPECIFIED)		EC NO: 614386	
$\nabla$ = 0 $\nabla$ = 0 $\nabla$ = 0	4 PLACES $\pm$ $\pm$ 3 PLACES $\pm$ $\pm$ 2 PLACES $\pm$ $\pm$ 1 PLACE $\pm$ $\pm$ 0 PLACES $\pm$ $\pm$	DRWN: DSOPPIN    2019/01/02 CHK'D: DNGUYEN62    2019/04/17 APPR: HKNEELAND    2019/04/25	
$\square$ = 0 $\blacksquare$ = 0 $\nabla$ = 0	ANGULAR TOL $\pm$ ° DRAFT WHERE APPLICABLE MUST REMAIN WITHIN DIMENSIONS	INITIAL REVISION: DRWN: DSOPPIN    2019/01/02 APPR: HKNEELAND    2019/04/25	
DOCUMENT NUMBER: 1301470305		DOC TYPE: PSD    DOC PART: 000    REVISION: A	
MATERIAL NUMBER: SEE TABLE		CUSTOMER: GENERAL MARKET	
SHEET NUMBER: 1 OF 1			