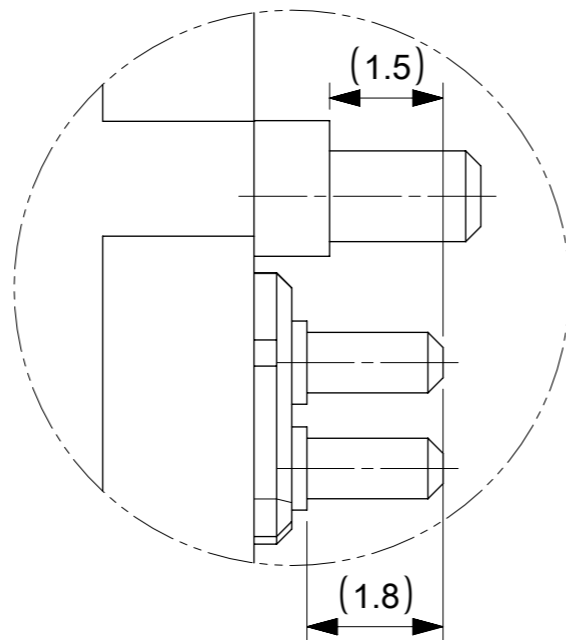
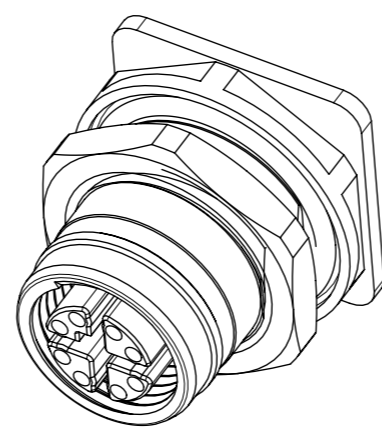


Technical Data:
 M12 CAT6A receptacle back mount PCB 360° shielded.
 Suited for wave application.

Poles: 8
Max. Voltage: 48V
Max Current: 0,5A
Contact resistance: Less than 5m Ohm
Insulation withstand: >100M Ohm
Protection: IP67
Temperature range: -40°C to 85°C
Transmission characteristics (category): CAT6



DETAIL B
 SCALE 10:1



SCALE 2:1

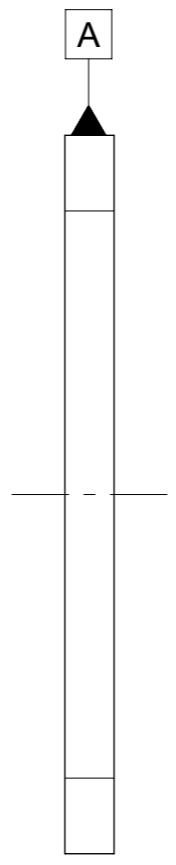
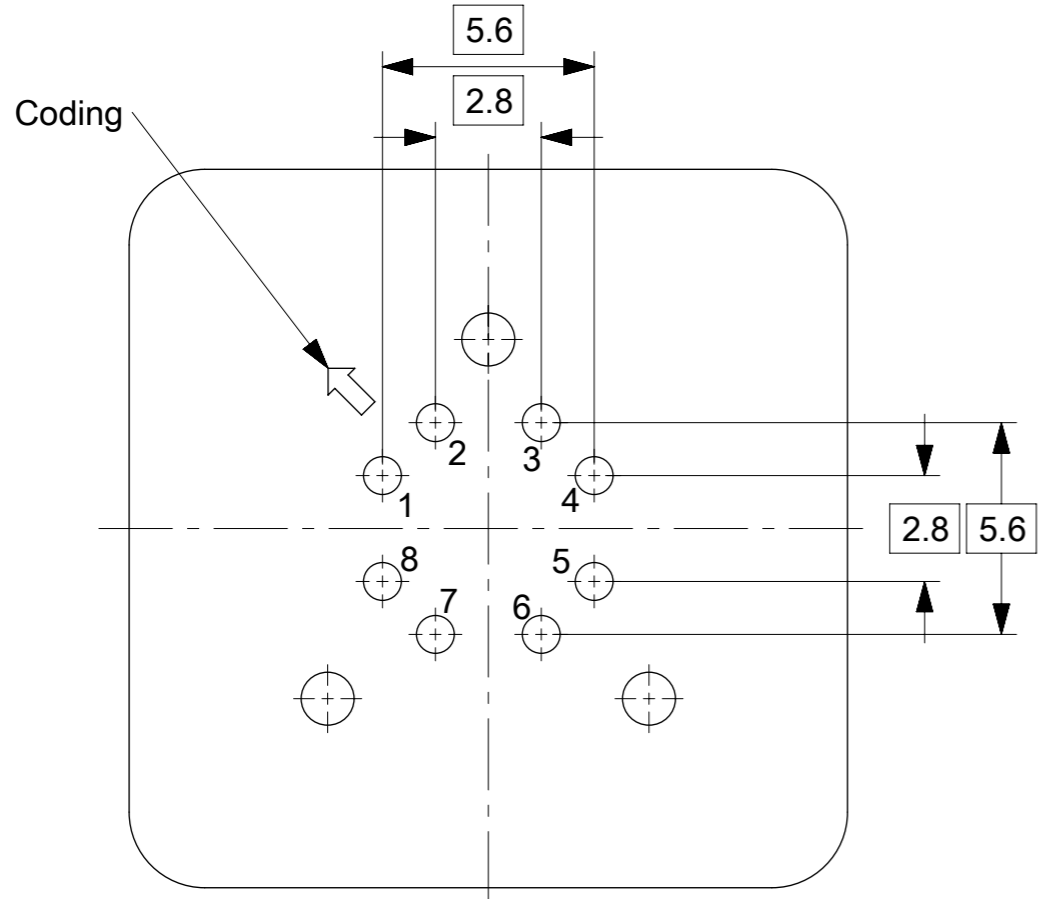
For product specification see: PS-120341-001a

Packaging:
 The receptacles are delivered in blister packs a 25 parts.
 8 blister packages per carton.
 All together 200 parts.

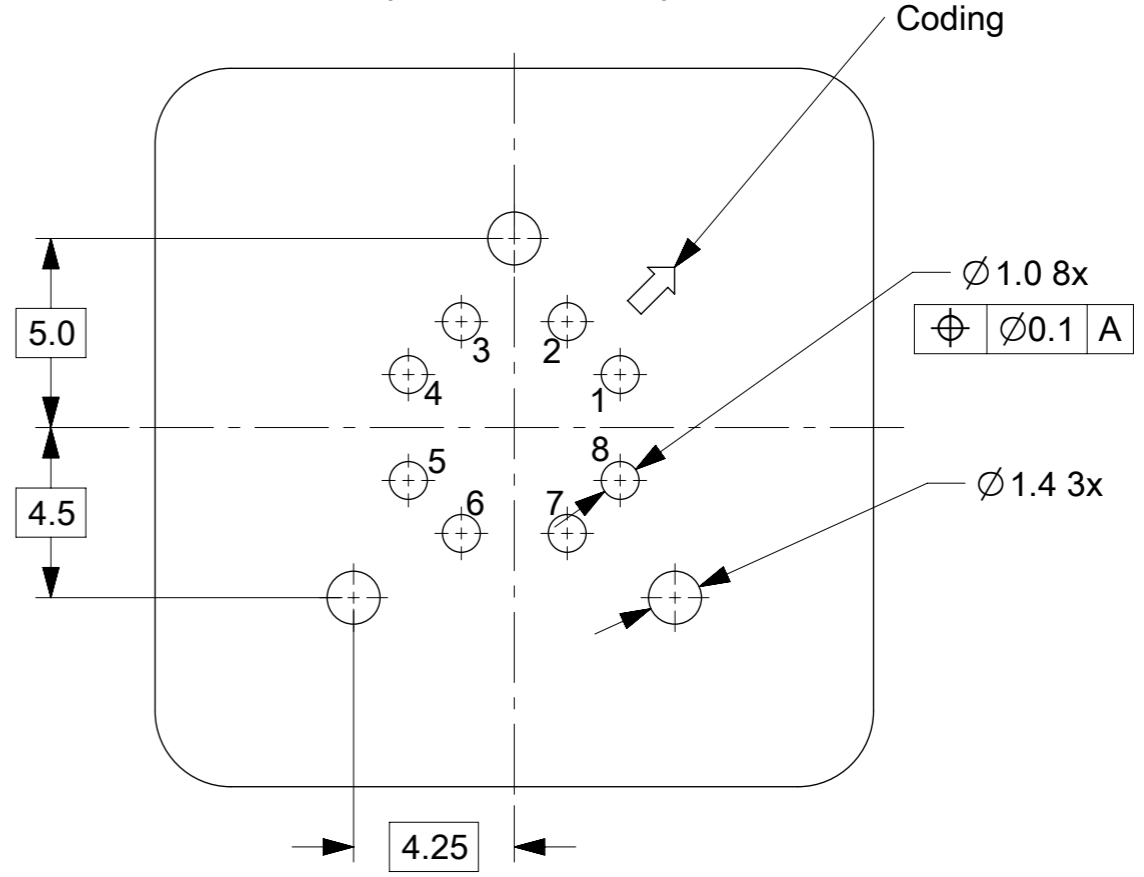
BOM

POS	DESCRIPTION	MATERIAL	FINISH
1	INSERT	PA BK	-
2	SCHIELDING CROSS	BRASS	NICKEL PLATED
3	CONTACT	BRASS	GOLD OVER NICKEL
4	HOUSING	BRASS	NICKEL PLATED
5	O-RING 7.1x1.35	FPM	RED
6	O-RING 15.7x1.3	EPDM BK	-
7	LOCK NUT	BRASS	NICKEL PLATED

FUNCTIONAL SYMBOLS	THIS DRAWING CONTAINS INFORMATION THAT IS PROPRIETARY TO MOLEX ELECTRONIC TECHNOLOGIES, LLC AND SHOULD NOT BE USED WITHOUT WRITTEN PERMISSION	 REC M12 8P 0C FE FM	
	EC NO: 717616 DRWN: FDAFERNER 2022/08/12 CHK'D: THAERDT 2022/08/15 APPR: THAERDT 2022/08/15		
DIMENSION UNITS: mm SCALE: 5:1 GENERAL TOLERANCES (UNLESS SPECIFIED): ANGULAR TOL ± 1.0° 4 PLACES ± 3 PLACES ± 2 PLACES ± 0.05 1 PLACE ± 0.3 0 PLACES ± 0.5	INITIAL REVISION: DRWN: LRAMMURTHY 2016/10/06 APPR: RSILLER 2016/12/14	DOCUMENT NUMBER: 1203410150 DOC TYPE: PSD DOC PART: 000 REVISION: C	PRODUCT CUSTOMER DRAWING
DIVISIONAL SYMBOLS	DRAFT WHERE APPLICABLE MUST REMAIN WITHIN DIMENSIONS THIRD ANGLE PROJECTION DRAWING: A3-SIZE SERIES: 120341	MATERIAL NUMBER: 1203410150 CUSTOMER: GENERAL MARKET	SHEET NUMBER: 1 OF 3



Rear View
(Solder Side)



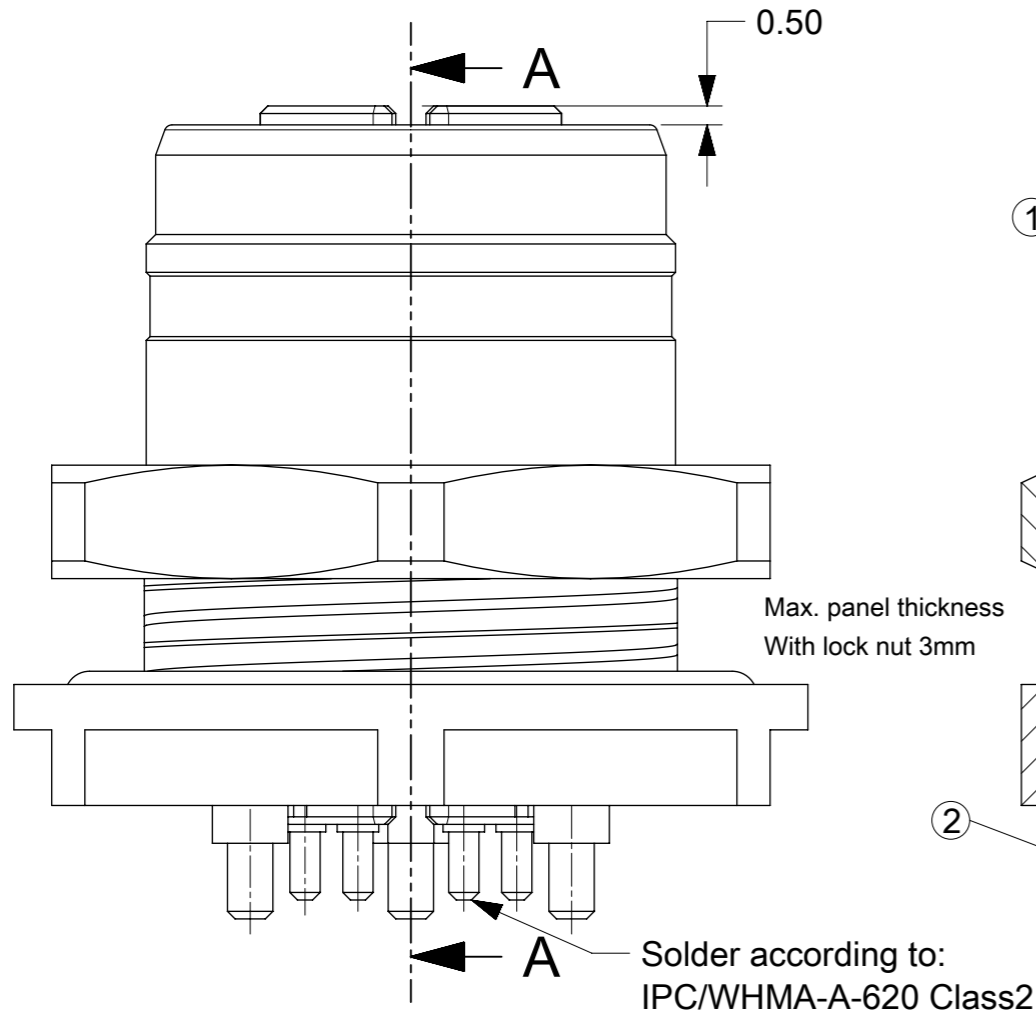
Cable color code and position
on receptacle:

- 1 white-orange
- 2 orange
- 3 white-green
- 4 green
- 5 white-brown
- 6 brown
- 7 white-blue
- 8 blue

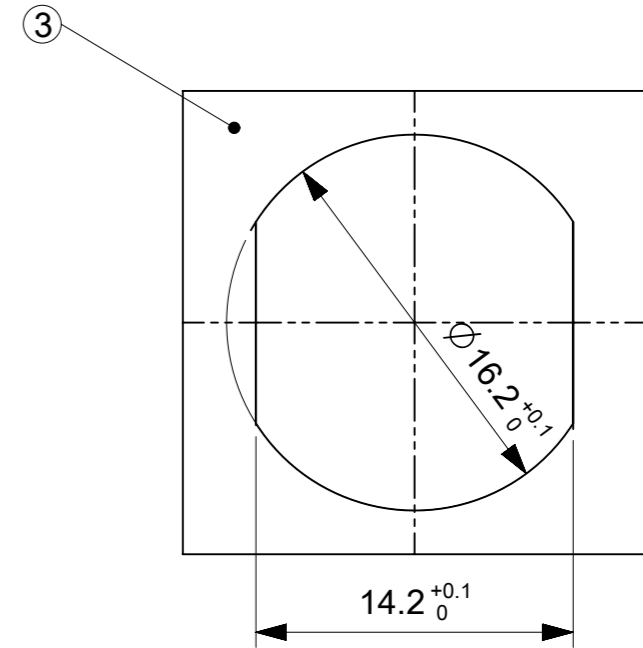
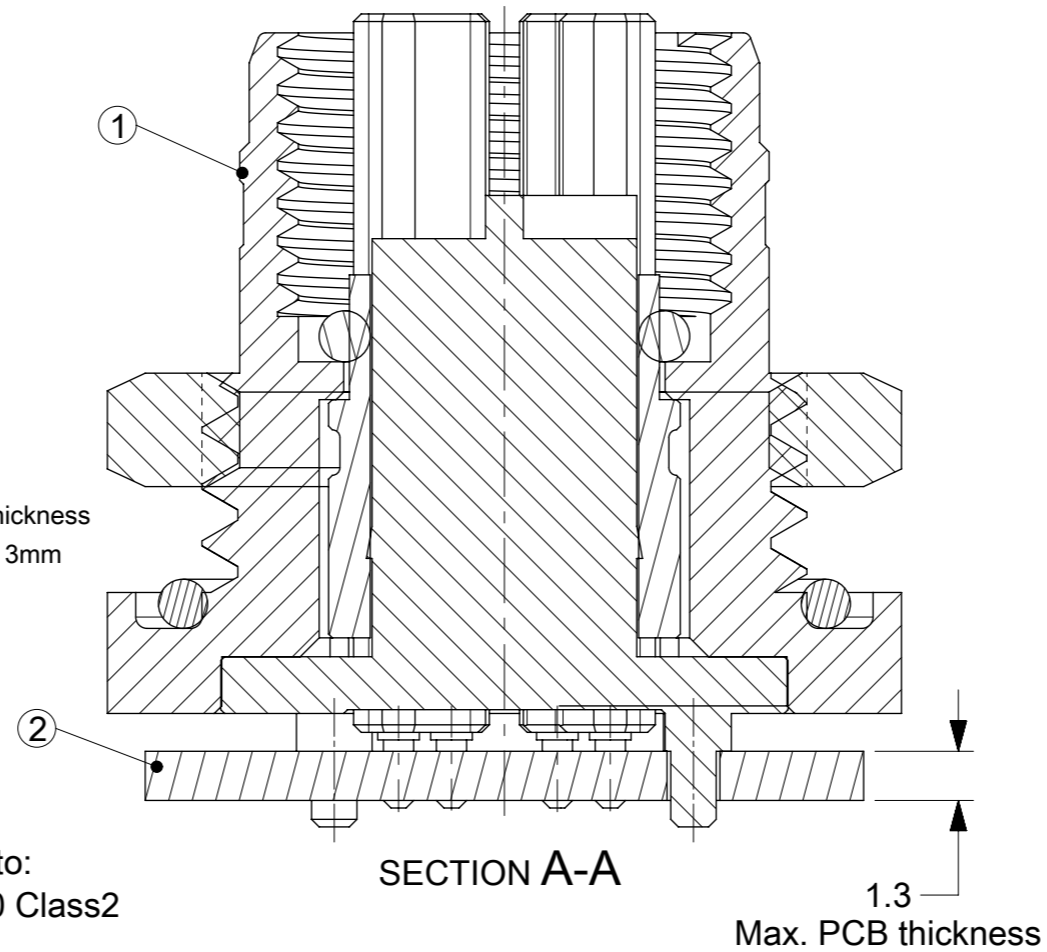
PCB Pinout

FUNCTIONAL SYMBOLS	THIS DRAWING CONTAINS INFORMATION THAT IS PROPRIETARY TO MOLEX ELECTRONIC TECHNOLOGIES, LLC AND SHOULD NOT BE USED WITHOUT WRITTEN PERMISSION		<div style="text-align: center; font-size: 24pt; font-weight: bold;">molex</div> <p>REC M12 8P 0C FE FM</p>			
	$\nabla_A = 0$ $\nabla_F = 0$ $\nabla_P = 0$	DIMENSION UNITS: mm SCALE: 5:1				
DIVISIONAL SYMBOLS	GENERAL TOLERANCES (UNLESS SPECIFIED)		PRODUCT CUSTOMER DRAWING			
	ANGULAR TOL ± 1.0°		DOCUMENT NUMBER: 1203410150			
	4 PLACES ±		DOC TYPE: PSD			
	3 PLACES ±		DOC PART: 000			
2 PLACES ± 0.05		REVISION: C				
1 PLACE ± 0.3		INITIAL REVISION:				
0 PLACES ± 0.5		DRWN: LRAMAMURTHY 2016/10/06				
DRAFT WHERE APPLICABLE MUST REMAIN WITHIN DIMENSIONS		THIRD ANGLE PROJECTION	DRAWING: A3-SIZE	SERIES: 120341	MATERIAL NUMBER: GENERAL MARKET	SHEET NUMBER: 2 OF 3

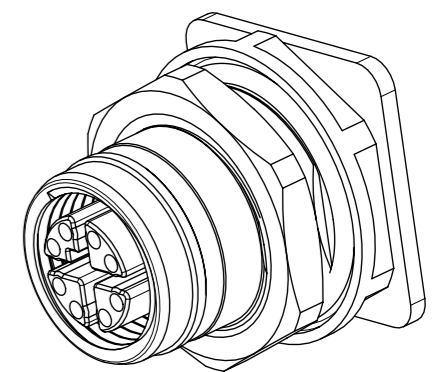
View with lock nut



View without lock nut



- Pos. Description
- 1 Receptacle Back Mount
 - 2 PCB
 - 3 Cutout



SCALE 2:1

ASSEMBLY OF THE RECEPTACLE:

1. The receptacle (1) is soldered to PCB (2)(wave or reflow possible)
The grounding can be over the ground pins of her receptacle and, if needed, over the midpoint of the shielding cross.
2. The PCB with receptacles is mounted from the back side into the cutout(3) and fastened per screwing in or locknut.

FUNCTIONAL SYMBOLS	THIS DRAWING CONTAINS INFORMATION THAT IS PROPRIETARY TO MOLEX ELECTRONIC TECHNOLOGIES, LLC AND SHOULD NOT BE USED WITHOUT WRITTEN PERMISSION		
	THIS DRAWING CONTAINS INFORMATION THAT IS PROPRIETARY TO MOLEX ELECTRONIC TECHNOLOGIES, LLC AND SHOULD NOT BE USED WITHOUT WRITTEN PERMISSION	REPLACE 1301830008 BY 1301830068;	
$\nabla_A = 0$	mm	5:1	CURRENT REV DESC: REFERENCE TO "PANEL THCKNESS WITHOUT LOCKNUT" DELETED D4
$\nabla_E = 0$	GENERAL TOLERANCES (UNLESS SPECIFIED)		
$\nabla_P = 0$	ANGULAR TOL $\pm 1.0^\circ$		EC NO: 717616
DIVISIONAL SYMBOLS	4 PLACES	\pm	DRWN: FDAFERNER 2022/08/12
	3 PLACES	\pm	CHK'D: THAERDT 2022/08/15
	2 PLACES	± 0.05	APPR: THAERDT 2022/08/15
	1 PLACE	± 0.3	INITIAL REVISION:
	0 PLACES	± 0.5	DRWN: LRAMAMURTHY 2016/10/06 APPR: RSILLER 2016/12/14
DRAFT WHERE APPLICABLE MUST REMAIN WITHIN DIMENSIONS	THIRD ANGLE PROJECTION	DRAWING	SERIES
		A3-SIZE	120341
DOCUMENT STATUS		P1	RELEASE DATE
2022/08/15		05:47:44	
molex		REC M12 8P 0C FE FM	
PRODUCT CUSTOMER DRAWING			
DOCUMENT NUMBER	DOC TYPE	DOC PART	REVISION
1203410150	PSD	000	C
MATERIAL NUMBER		CUSTOMER	SHEET NUMBER
GENERAL MARKET		3 OF 3	