

TECHNICAL DATA :

REC M12 D-Coded to RJ45 CAT5e Cordset AWG22 straight green inline 360° shielded.

Poles : 4

Max. Voltage : 30V A.C. or 42V D.C.

Max. Current : 1.5A

Contact resistance : ≤10 mΩ

Insulation Withstand : >100MΩ

Protection REC. M12 / RJ45 : IP67 (MOUNTED) / IP20

REC. M12 : IP20 (UNMOUNTED)

Temperature range : -25°C to 85°C

Transmission characteristics
ACCORDING TO ISO 11801 CATEGORY 5e
PATCH CORD PROFINET TYPE C

Packaging :
The cordsets are packed in a polybag.

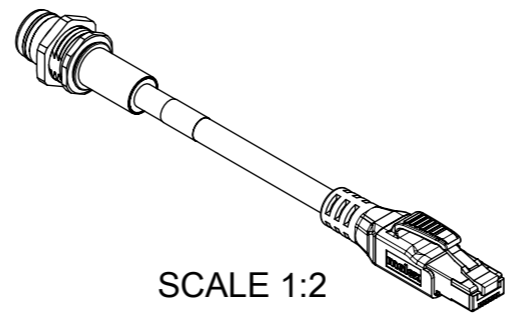


TABLE 2

| CABLE LENGTH TOLERANCES | |
|-------------------------|------------|
| LENGTH | TOLERANCE |
| 0m-1m | +40 mm |
| >1m-5m | +60 mm |
| >5m-10m | +80 mm |
| >10m-20m | +140 mm |
| >20m-30m | +160 mm |
| >30m | +1% length |

TABLE 2 2 QTY ID CARRIER APPLICABLE, IF ENGINEERING NO. HAS "H" (SEE PART LIST)

| ITEM | QTY | DESCRIPTION | MATERIAL | FINISH |
|------|-----|----------------------------|----------|----------------------------|
| 1 | - | CABLE 2x2x22AWG SHLD | TPU | GREEN |
| 2 | 4 | CONTACT 10 FEMALE | BRONZE | SELECTIVE GOLD OVER NICKEL |
| 3 | 1 | RJ45 PLUG SHIELD | BRASS | TIN |
| 4 | 1 | NUT M16x1.5 | BRASS | NICKEL PLATED |
| 5 | 1 | INSERT M12 FEMALE 4P DC | TPU | BLACK |
| 6 | 1 | SLEEVE STR L25D10 | BRASS | NICKEL PLATED |
| 7 | 1 | O-RING | FPM | RED |
| 8 | 1 | O-RING | NBR | BLACK |
| 9 | - | POTTING MATERIAL | WEVO | - |
| 10 | 1 | SHELL U12 M12x1 M16x1.5 BM | BRASS | NICKEL PLATED |
| 11 | 1 | LABEL | - | - |
| 12 | - | MOULDING MATERIAL | TPU | BLACK |
| 13 | 1 | PLUG RJ45 TRANSPARENT | PC | - |
| 14 | 4 | CONTACT RJ45 | PB | SELECTIVE GOLD OVER NICKEL |
| 15 | - | ID CARRIER | PVC | TRANSPARENT |

THIS DRAWING CONTAINS INFORMATION THAT IS PROPRIETARY TO MOLEX ELECTRONIC TECHNOLOGIES, LLC AND SHOULD NOT BE USED WITHOUT WRITTEN PERMISSION

FUNCTIONAL SYMBOLS

SCALE: 2:1

GENERAL TOLERANCES (UNLESS SPECIFIED)

ANGULAR TOL ± 1.0°

4 PLACES ±

3 PLACES ±

2 PLACES ± 0.05

1 PLACE ± 0.3

0 PLACES ± 0.5

DIVISIONAL SYMBOLS

DRAFT WHERE APPLICABLE MUST REMAIN WITHIN DIMENSIONS

THIRD ANGLE PROJECTION

DRAWING: A3-SIZE

SERIES: 120108

EC NO: 677462

DRWN: SSM 2021/07/29

CHK'D: RSILLER 2021/09/13

APPR: RSILLER 2021/09/13

INITIAL REVISION:

DRWN: FGAIK 2016/12/01

APPR: RSILLER 2016/12/05

DOCUMENT NUMBER: 1201088377

DOC TYPE: PSD

DOC PART: 000

REVISION: B2

MATERIAL NUMBER: SEE PART LIST

CUSTOMER: GENERAL MARKET

SHEET NUMBER: 1 OF 2


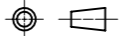
molex

REC U12 ETH 4P DC FE WSOR RJ45 XM
M16 BM DE SHLD D6.8 GN BRA

PRODUCT CUSTOMER DRAWING

F
E
D
C
B
A

| TABLE 1 | | |
|-----------------|-----------------|-------|
| MOLEX PN | ENGINEERING NO. | L [m] |
| 1201088530 | ERWPAU7012M003 | 0.3 |
| 1201088377 | ERWPAU7012M005 | 0.5 |
| 1201080519 | ERWPAU7012M010 | 1 |
| 1201088750 | ERWPAU7012M015 | 1.5 |
| 1201080520 | ERWPAU7012M020 | 2 |
| 1201088751 | ERWPAU7012M025 | 2.5 |
| 1201088378 | ERWPAU7012M030 | 3 |
| 1201088379 | ERWPAU7012M040 | 4 |
| 1201088380 | ERWPAU7012M050 | 5 |
| 1201088794 | ERWPAU7012M100 | 10 |
| 1201088795 | ERWPAU7012M150 | 15 |
| WITH ID CARRIER | | |
| 1201088979 | ERWPAU7012M004H | 0.4 |
| 1201088980 | ERWPAU7012M005H | 0.5 |
| 1201088981 | ERWPAU7012M006H | 0.6 |
| 1201088982 | ERWPAU7012M010H | 1 |
| 1201088983 | ERWPAU7012M020H | 2 |
| 1201089035 | ERWPAU7012M030H | 3 |
| 1201089036 | ERWPAU7012M040H | 4 |
| 1201088984 | ERWPAU7012M050H | 5 |
| 1201089037 | ERWPAU7012M060H | 6 |
| 1201089038 | ERWPAU7012M070H | 7 |
| 1201089039 | ERWPAU7012M080H | 8 |
| 1201089040 | ERWPAU7012M100H | 10 |
| 1201089041 | ERWPAU7012M120H | 12 |
| 1201089042 | ERWPAU7012M150H | 15 |
| 1201089043 | ERWPAU7012M200H | 20 |
| 1201089044 | ERWPAU7012M250H | 25 |
| 1201089045 | ERWPAU7012M300H | 30 |
| 1201089046 | ERWPAU7012M350H | 35 |
| 1201089047 | ERWPAU7012M400H | 40 |
| 1201089048 | ERWPAU7012M450H | 45 |
| 1201089049 | ERWPAU7012M500H | 50 |
| 1201089050 | ERWPAU7012M550H | 55 |
| 1201089051 | ERWPAU7012M600H | 60 |
| 1201089052 | ERWPAU7012M650H | 65 |
| 1201089053 | ERWPAU7012M700H | 70 |
| 1201089054 | ERWPAU7012M750H | 75 |
| 1201089055 | ERWPAU7012M800H | 80 |

| | | | | |
|--|---|---|--|--------|
| FUNCTIONAL SYMBOLS | THIS DRAWING CONTAINS INFORMATION THAT IS PROPRIETARY TO MOLEX ELECTRONIC TECHNOLOGIES, LLC AND SHOULD NOT BE USED WITHOUT WRITTEN PERMISSION | |  | |
| | DIMENSION UNITS | SCALE | | |
| $\nabla_A = 0$ | mm | 1:1 | CURRENT REV DESC: NEW PNS ADDED; BOM UPDATED EC NO: 677462 DRWN: SSM 2021/07/29 CHK'D: RSILLER 2021/09/13 APPR: RSILLER 2021/09/13 | |
| $\nabla_F = 0$ | GENERAL TOLERANCES (UNLESS SPECIFIED) | | | |
| $\nabla_P = 0$ | ANGULAR TOL ± 1.0° | | PRODUCT CUSTOMER DRAWING DOCUMENT NUMBER: 1201088377 DOC TYPE: PSD DOC PART: 000 REVISION: B2 | |
| DIVISIONAL SYMBOLS | 4 PLACES ± | | | |
| | 3 PLACES ± | | INITIAL REVISION: DRWN: FGAIK 2016/12/01 APPR: RSILLER 2016/12/05 | |
| | 2 PLACES ± 0.05 | | | |
| | 1 PLACE ± 0.3 | | MATERIAL NUMBER: 120108 CUSTOMER: GENERAL MARKET SHEET NUMBER: 2 OF 2 | |
| | 0 PLACES ± 0.5 | | | |
| DRAFT WHERE APPLICABLE MUST REMAIN WITHIN DIMENSIONS | | THIRD ANGLE PROJECTION | DRAWING | SERIES |
| | |  | A3-SIZE | 120108 |