

MICRO SWITCH

FREERPORT, ILLINOIS, U S A
A DIVISION OF HONEYWELL
FED. MFG. CODE 91929

SWITCH-TOGGLE

CATALOG LISTING 104TL2 SERIES CHART 1

MS NUMBER

CATALOG LISTING

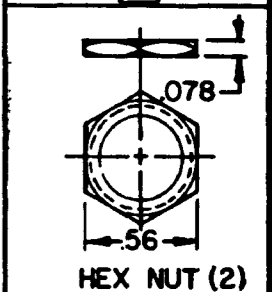
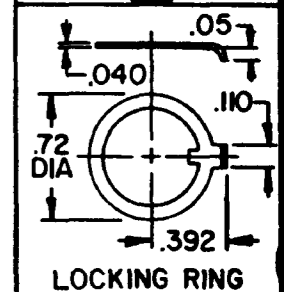
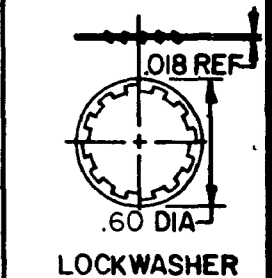
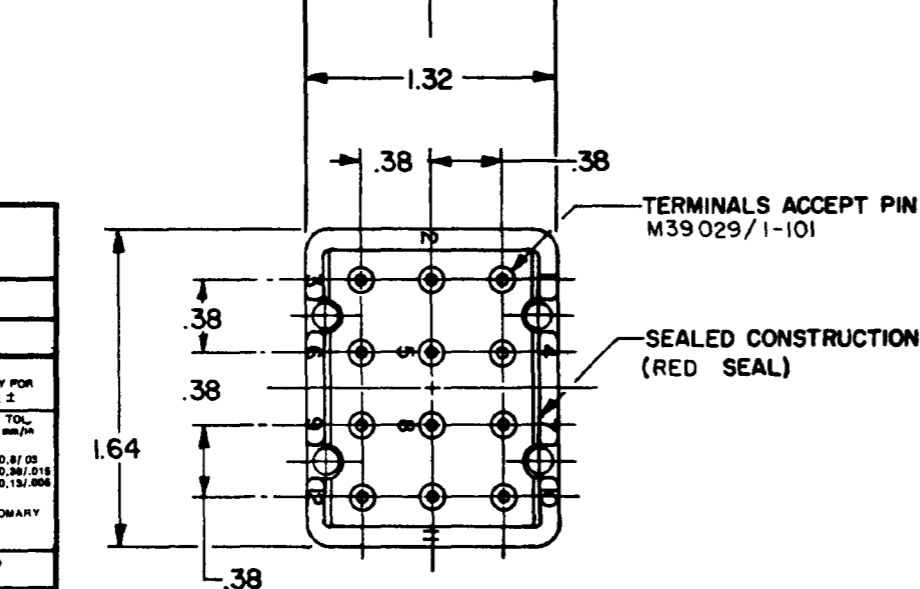
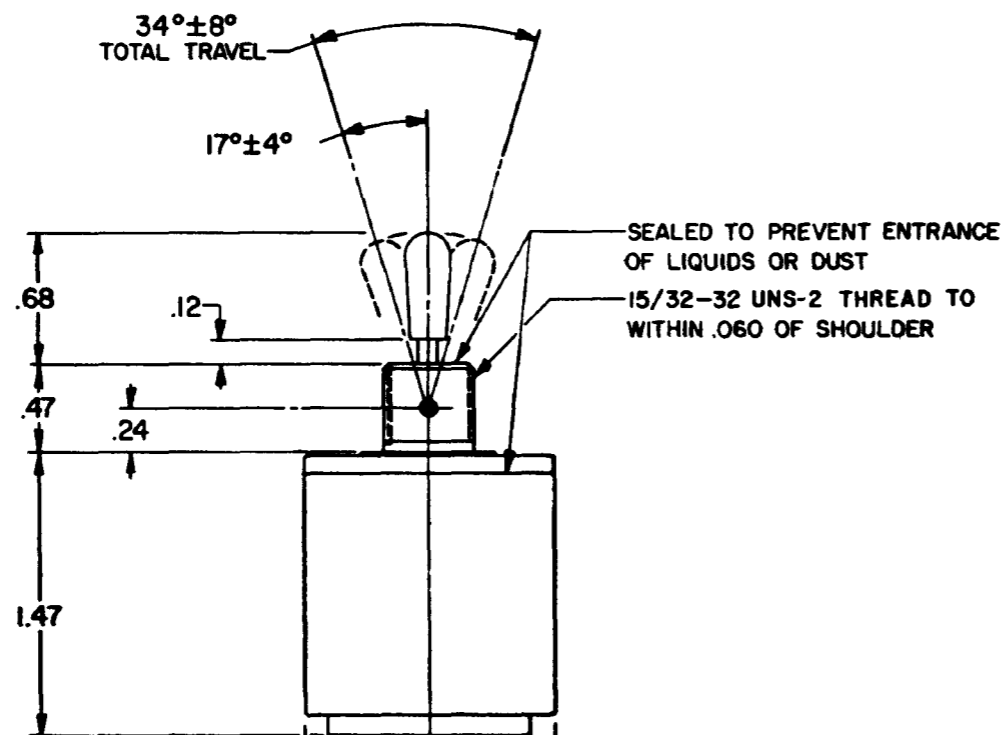
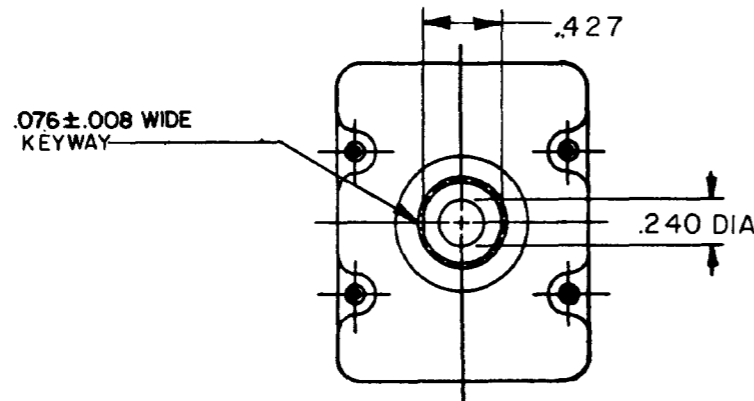
CIRCUIT MADE WITH TOGGLE LEVER IN

KEYWAY SIDE (1-2,4-5 7-8,10-11)	CENTER (1-2,4-5 7-8,10-11)	OPPOSITE KEYWAY (2-3,5-6 8-9,11-12)
ON	OFF	ON
OFF	NONE	ON
ON	NONE	ON
NONE	OFF	ON
NONE	ON	ON
MOM OFF	NONE	ON
MOM ON	OFF	ON
MOM ON	NONE	OFF
MOM ON	OFF	MOM ON
MOM ON	NONE	ON
NONE	ON	MOM ON
MOM ON	OFF	NONE

CURRENT CAPACITY (AMPS)

RESISTIVE LOAD DC VOLTS			LOAD AC VOLTS			LAMP LOAD		INDUCTIVE LOAD	
30	115	250	115	230	30 VDC	115 VAC	30 VDC	115 VAC	
7.5	.75	.5	7.5	6	5	4	7.5	7.5	
7.5	.75	.5	7.5	6	4	2	7.5	7.5	

THIS DRAWING COVERS A PROPRIETARY ITEM AND IS THE PROPERTY OF MICRO SWITCH. A DIVISION OF HONEYWELL. THIS DRAWING IS NOT TO BE COPIED OR USED WITHOUT THE APPROVAL OF MICRO SWITCH.



NOTES

- SWITCHES ARE CAPABLE OF WITHSTANDING A TEMPERATURE OF 160°F CONTINUOUSLY AT FULL RATED LOAD
- CIRCUIT DESIGNATION AND MICRO SWITCH CATALOG LISTING AND "MS" NUMBER STAMPED ON SIDE OF SWITCH
- FURNISHED UNASSEMBLED
- APPLIES ONLY TO "ON" AND "MOMENTARY ON" POSITIONS
- THE SEALING GROMMET SHALL SEAL ON A SMOOTH WIRE INSULATION OF .040 TO .083 DIAMETERS (16-20 GAGE)
- UNUSED TERMINAL HOLES MAY BE SEALED WITH PLUGS M83723/28-20
- THESE UNITS ARE QUALIFIED UNDER MIL-S-3950

CATALOG LISTING
104TL2 SERIES CHART 1
PAGE 1 OF 1

ISSUE
18

REVISIONS

A	PR-6855	04 APR 05
B	CO49144	
C	CO50496	
D	CO56074	
E	CO57478	
F	CO-95307	
G	0011908	

FORMTEK
FO-82880
DRAWN
J A P 19 DEC 77
CHECK
G J Y 20 DEC 77
CHECK
G J Y 20 DEC 77
CHECK
G J Y 20 DEC 77

THIRD ANGLE PROJECTION

SCALE FULL

DO NOT SCALE PRINT

TOLERANCES
APPLY TO DESIGN UNITS - CONVERSIONS ARE ONLY FOR REFERENCE. UNLESS NOTED TOLERANCES ARE 2

	DIM.	TOL.	DIM.	TOL.
	mm	mm/in	in	mm/in
NO PLACES	X	1/64	X	0.07/05
ONE PLACE	X,X	0.4/018	X,X	0.06/018
TWO PLACES	X,XX	0.16/008	X,XX	0.13/008
THREE PLACES	X,XXX		X,XXX	

DESIGN UNITS METRIC US CUSTOMARY

RAW MATERIAL-COMMERCIAL STANDARD
MICRO SWITCH STANDARDS APPLY

DIMENSIONS ARE TO BE MET BEFORE
PROTECTIVE COATINGS ARE APPLIED

WEIGHT .21 LB MAX