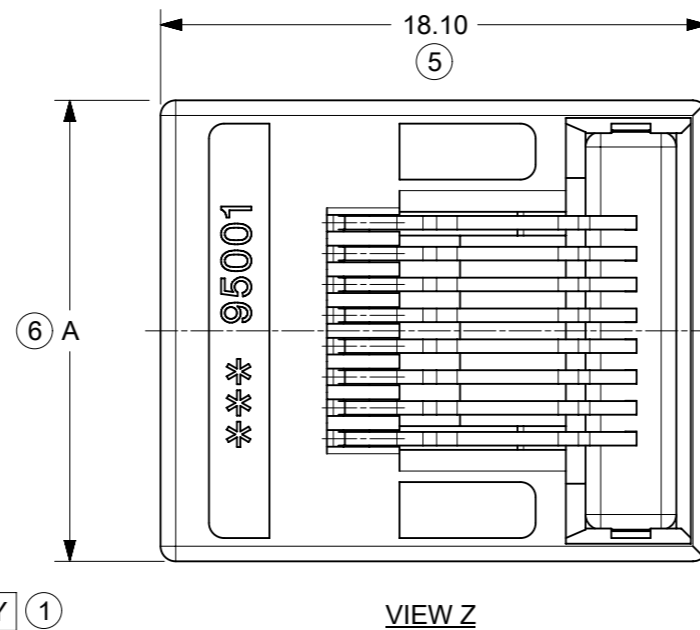
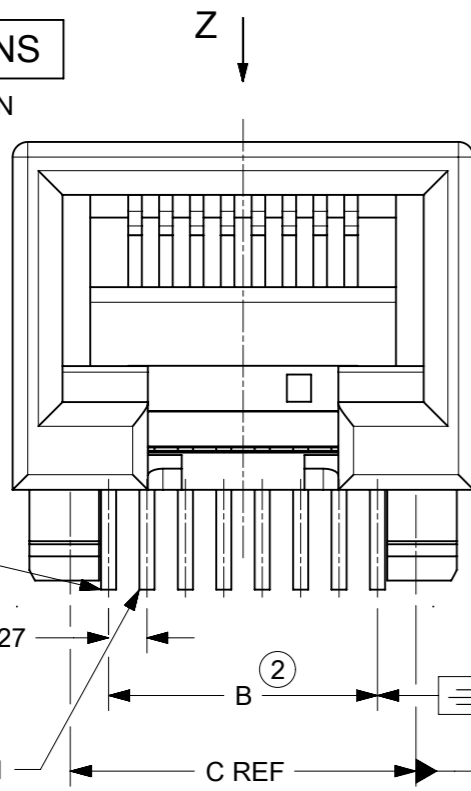


6 & 8 VERSIONS

8 VERSION SHOWN

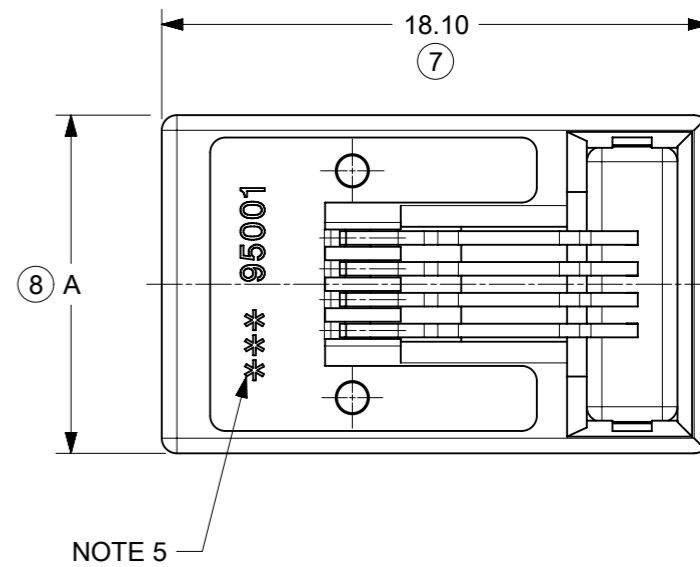
CIRCUIT 1  
(8 CKTS VERSION)

CIRCUIT 1  
(6 CKTS VERSION)



VIEW Z

4 VERSION ONLY



NOTE 5

NOTES:

1. MATERIAL

HOUSING: LCP GLASS FILLED UL 94 V-0, COLOUR BLACK.

TERMINAL: COPPER ALLOY

BASE FINISH: NICKEL

CONTACT SURFACE FINISH:

GOLD

OR

GOLD FLASH OVER PALLADIUM NICKEL.

EXCEEDS PRODUCT REQUIREMENTS BASED ON PSD-95501

2. JACK FOR MATING WITH F.C.C. 68 PLUGS 90075 MOLEX SERIES.

3. PRODUCT SPECIFICATION PSD-95501.

4. PACKAGING SPECIFICATION PK-95001: STANDARD PACKAGING SHEET 1.

SPECIAL PACKAGING SHEET 2. TUBE PACKAGING SHEET 3.

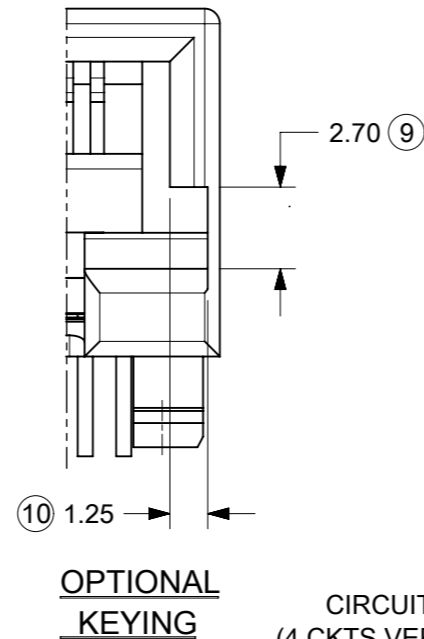
5. MANUFACTURING I.D. CAN BE EITHER MXF, MG, MXI OR MXCH.

6. RECOMMENDED PCB THICKNESS: 1.57mm

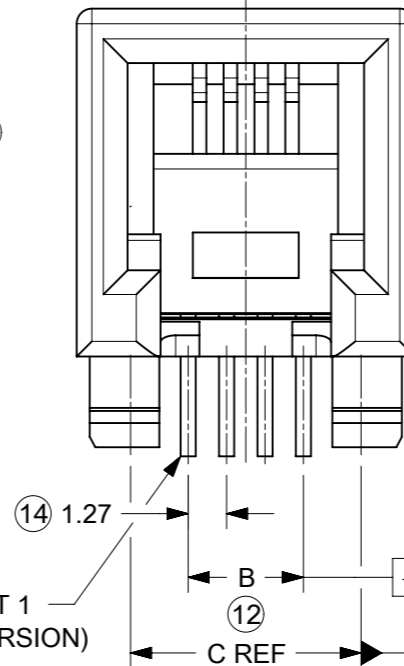
INSPECTION NUMBERS USED: 1 - 50

LAST INSPECTION NUMBER: 21

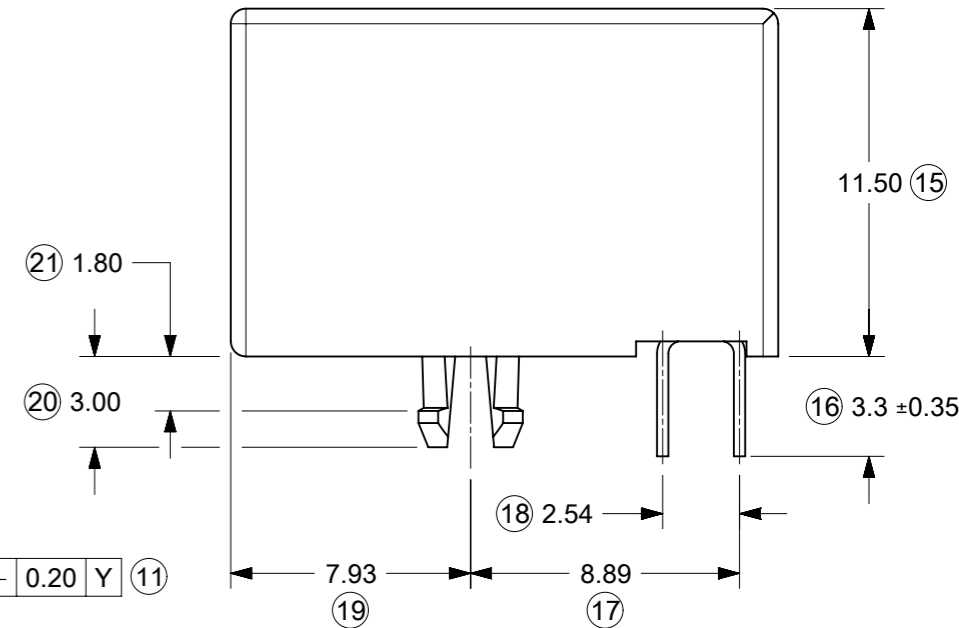
REMOVED INSPECTION NO: 3, 13



OPTIONAL  
KEYING



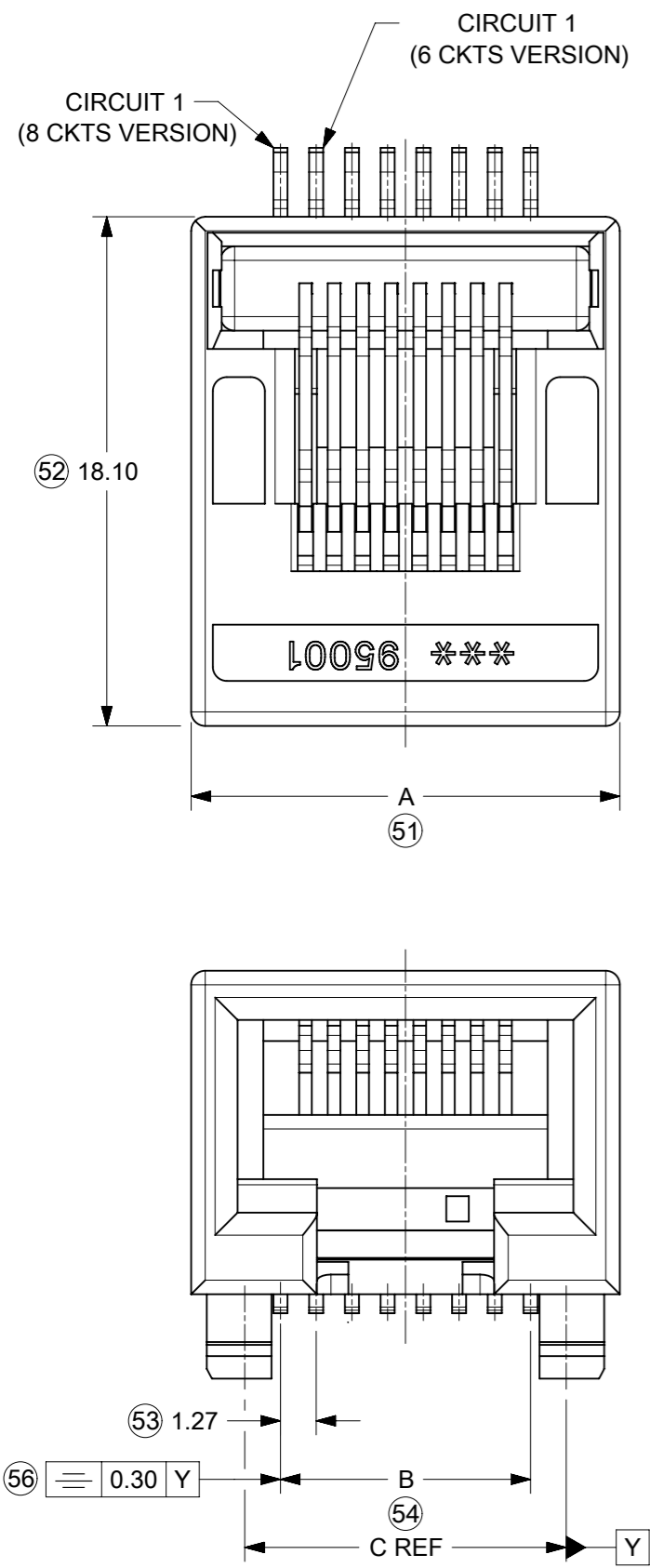
CIRCUIT 1  
(4 CKTS VERSION)



DIM. \ TYPE	POS. 4	POS. 6		POS. 8
	4 CKTS.	4 CKTS.	6 CKTS.	8 CKTS.
A	11.18	13.21	13.21	15.24
C	7.62	10.16	10.16	11.43
B	3.81	3.81	6.35	8.89

THIS DRAWING CONTAINS INFORMATION THAT IS PROPRIETARY TO MOLEX ELECTRONIC TECHNOLOGIES, LLC AND SHOULD NOT BE USED WITHOUT WRITTEN PERMISSION		CURRENT REV DESC: REMASTERED USING 3D MODELS			
DIMENSION UNITS	SCALE	EC NO: 686849			
mm	4:1	DRWN: SANTHN 2021/05/21		PRODUCT CUSTOMER DRAWING	
GENERAL TOLERANCES (UNLESS SPECIFIED)		CHK'D: KLANG 2022/01/10		DOCUMENT NUMBER	
ANGULAR TOL ± °		APPR: KLANG 2022/01/10		SD-95501-001	
4 PLACES ±		INITIAL REVISION:		DOC TYPE	
3 PLACES ±		DRWN: DBYRNES 2006/10/11		DOC PART	
2 PLACES ± 0.15		APPR: EOMAHONY 2006/10/12		REVISION	
1 PLACE ± 0.25		SERIES		F1	
0 PLACES ±		MATERIAL NUMBER		PSD 001	
DRAFT WHERE APPLICABLE MUST REMAIN WITHIN DIMENSIONS		THIRD ANGLE PROJECTION		CUSTOMER	
		DRAWING		GENERAL MARKET	
		A3-SIZE		SHEET NUMBER	
		95501		1 OF 5	

**6 & 8 VERSIONS**  
8 VERSION SHOWN

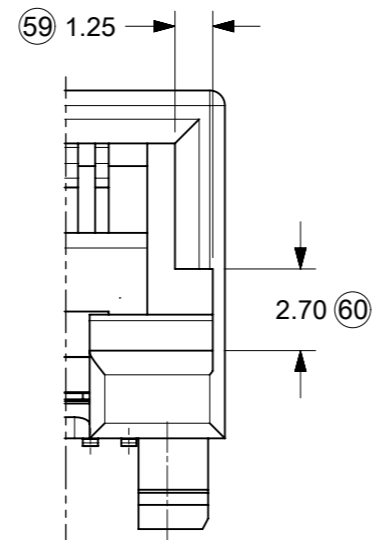
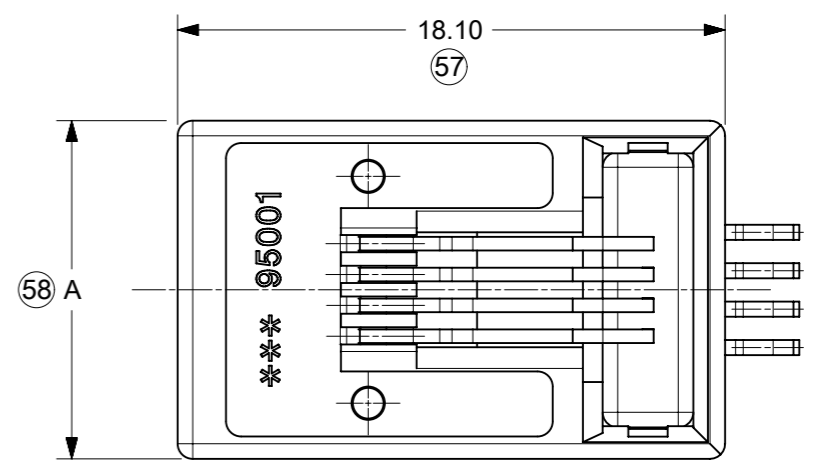


DIM. \ TYPE	POS. 4	POS. 6		POS. 8
	4 CKTS.	4 CKTS.	6 CKTS.	8 CKTS.
A	11.18	13.21	13.21	15.24
C	7.62	10.16	10.16	11.43
B	3.81	3.81	6.35	8.89

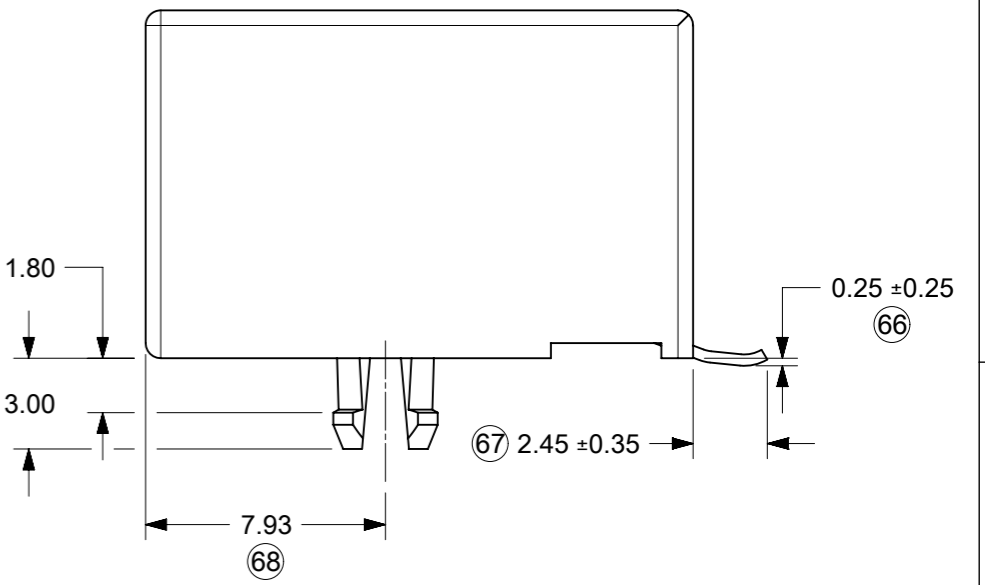
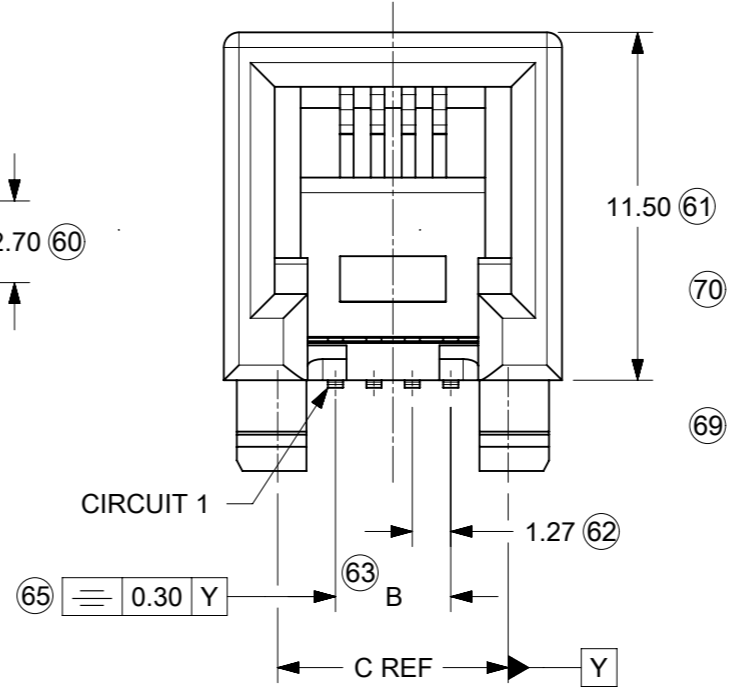
**4 VERSION ONLY**

- NOTES:**
- MATERIAL:**  
HOUSING: LCP GLASS FILLED UL 94V-0.  
COLOUR BLACK.
  - SEE OTHER NOTES SHEET 1.
  - COPLANARITY OF SIGNAL TAILS 0.10mm.

INSPECTION NUMBERS USED: 51 - 100  
LAST INSPECTION NUMBER: 70  
REMOVED INSPECTION NO: 55, 64



**OPTIONAL KEYING**



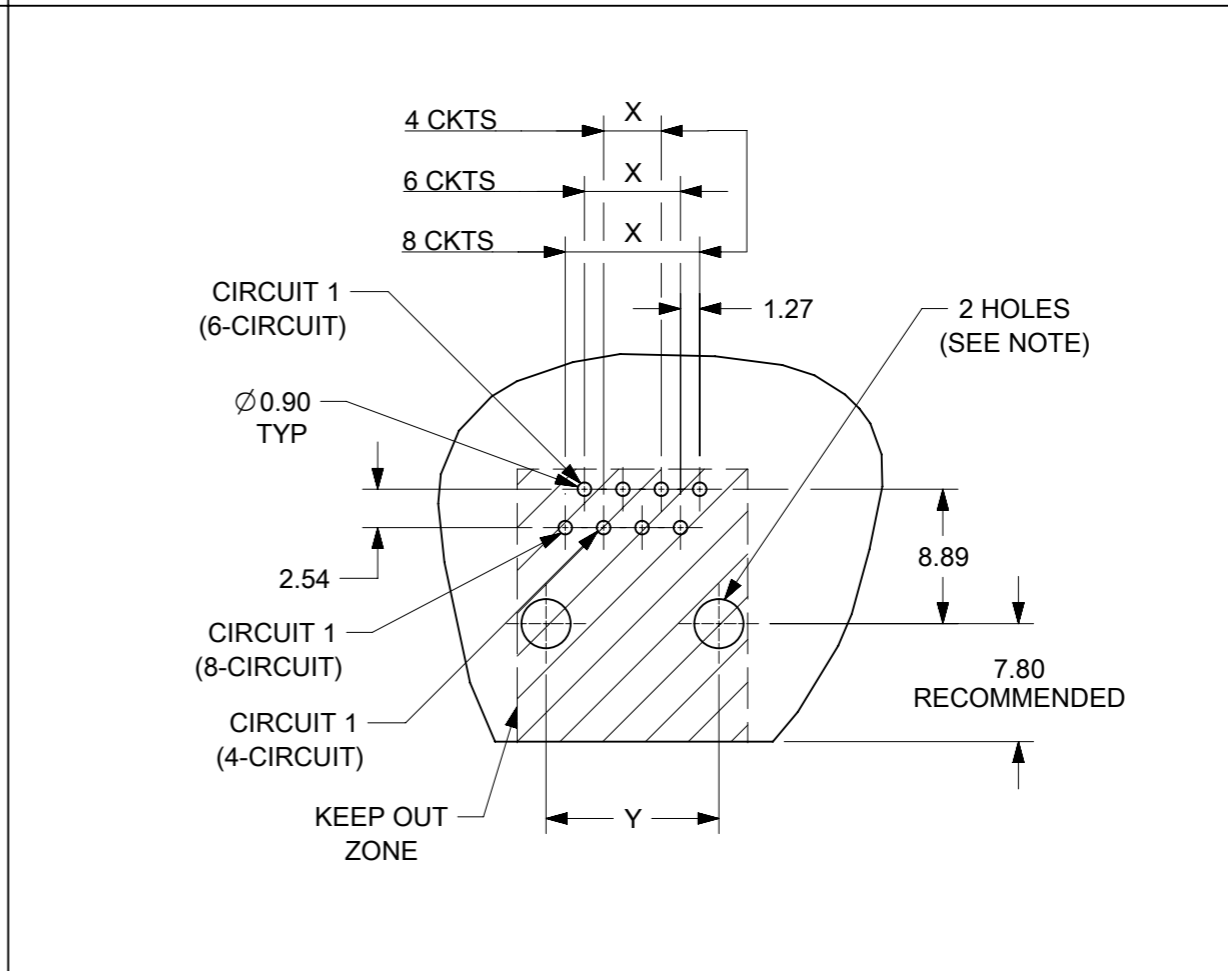
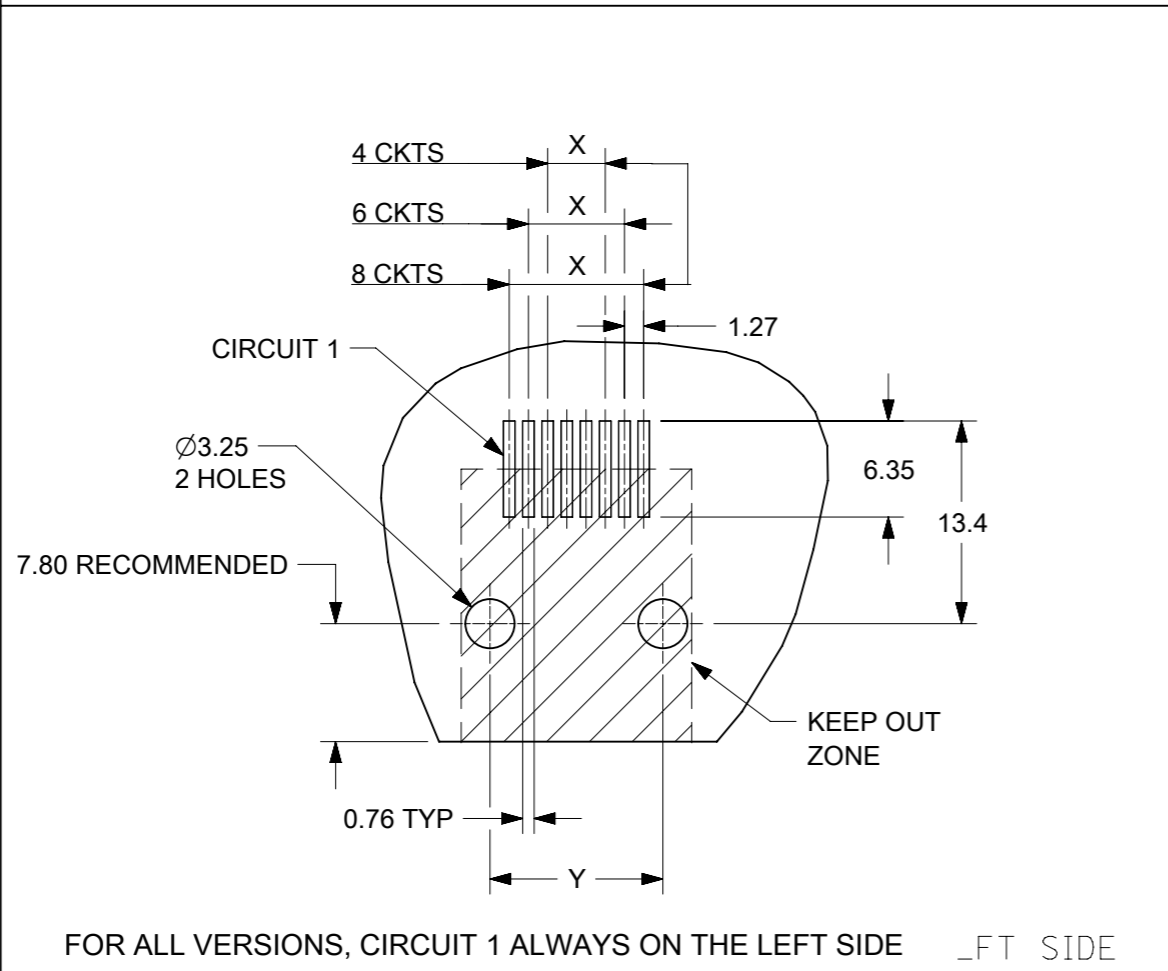
THIS DRAWING CONTAINS INFORMATION THAT IS PROPRIETARY TO MOLEX ELECTRONIC TECHNOLOGIES, LLC AND SHOULD NOT BE USED WITHOUT WRITTEN PERMISSION		CURRENT REV DESC: REMASTERED USING 3D MODELS		<b>molex</b>	
DIMENSION UNITS	SCALE	R/A LOW PROFILE PC JACK 4,6,8 CKTS SIZE THROUGH HOLE VERSION			
mm	4:1	PRODUCT CUSTOMER DRAWING		DOCUMENT NUMBER	
GENERAL TOLERANCES (UNLESS SPECIFIED)		EC NO: 686849		SD-95501-001	
ANGULAR TOL ± °		DRWN: SANTHN 2021/05/21		DOC TYPE DOC PART REVISION	
4 PLACES ±		CHK'D: KLANG 2022/01/10		PSD 001 F1	
3 PLACES ±		APPR: KLANG 2022/01/10		MATERIAL NUMBER	
2 PLACES ± 0.15		INITIAL REVISION:		CUSTOMER	
1 PLACE ± 0.25		DRWN: DBYRNES 2006/10/11		GENERAL MARKET	
0 PLACES ±		APPR: EOMAHONY 2006/10/12		SHEET NUMBER	
DRAFT WHERE APPLICABLE MUST REMAIN WITHIN DIMENSIONS		THIRD ANGLE PROJECTION	DRAWING	SERIES	MATERIAL NUMBER
			A3-SIZE	95501	SEE CHART

TYPE	POS. 4	POS. 6		POS. 8
	4 CKTS.	4 CKTS.	6 CKTS.	8 CKTS.
Y±0.05	7.62	10.16	10.16	11.43
X±0.05	3.81	3.81	6.35	8.89

P.C.B. MOUNTING PATTERNS - SEE FROM COMPONENT SIDE

FOR SMT JACK TYPE (SURFACE MOUNT)

FOR STANDARD JACK TYPE (THROUGH HOLE)



NOTE:  
 FOR CONVECTION SOLDERING: DIA 3.25±0.05  
 FOR WAVE SOLDERING: DIA 3.20±0.10  
 ALL DIMENSIONS REF DIMENSIONS

THIS DRAWING CONTAINS INFORMATION THAT IS PROPRIETARY TO MOLEX ELECTRONIC TECHNOLOGIES, LLC AND SHOULD NOT BE USED WITHOUT WRITTEN PERMISSION									
DIMENSION UNITS	SCALE	CURRENT REV DESC: REMASTERED USING 3D MODELS							
mm	2:1								
GENERAL TOLERANCES (UNLESS SPECIFIED)									
ANGULAR TOL	± °	R/A LOW PROFILE PC JACK 4,6,8 CKTS SIZE THROUGH HOLE VERSION							
4 PLACES	±	PRODUCT CUSTOMER DRAWING							
3 PLACES	±	DOCUMENT NUMBER							
2 PLACES	± 0.15	SD-95501-001							
1 PLACE	± 0.25	DOC TYPE							
0 PLACES	±	PSD							
DRAFT WHERE APPLICABLE MUST REMAIN WITHIN DIMENSIONS		THIRD ANGLE PROJECTION		DRAWING		SERIES		SHEET NUMBER	
				A3-SIZE		95501		3 OF 5	


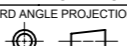
# STANDARD PACKAGING OPEN TRAY, SEE PACKAGING SPEC PK95001 SHEET 1

## PART NO. FOR JACK ASSEMBLY THROUGH HOLE VERSION

LCP GLASS FILLED UL-94V0, COLOUR BLACK.

HOUSING SIZE	LOADED CONTACTS
4	4
6	4
6	6
8	8

NO KEY	TOOLED	KEY	TOOLED		TOOLED		TOOLED
NOT RIBBED	TOOLED	NOT RIBBED	TOOLED		TOOLED		TOOLED
95501-2441	X						
95501-2641	X						
95501-2661	X						
95501-2881	X	95501-2882	X				

THIS DRAWING CONTAINS INFORMATION THAT IS PROPRIETARY TO MOLEX ELECTRONIC TECHNOLOGIES, LLC AND SHOULD NOT BE USED WITHOUT WRITTEN PERMISSION									
DIMENSION UNITS	SCALE	CURRENT REV DESC: REMASTERED USING 3D MODELS							
mm	1:1								
GENERAL TOLERANCES (UNLESS SPECIFIED)		EC NO: 686849			R/A LOW PROFILE				
ANGULAR TOL ± °		DRWN: SANTHN 2021/05/21			PC JACK 4,6,8 CKTS SIZE THROUGH HOLE VERSION				
4 PLACES ±		CHK'D: KLANG 2022/01/10			PRODUCT CUSTOMER DRAWING				
3 PLACES ±		APPR: KLANG 2022/01/10			DOCUMENT NUMBER		DOC TYPE	DOC PART	REVISION
2 PLACES ± 0.15		INITIAL REVISION:			SD-95501-001		PSD	001	F1
1 PLACE ± 0.25		DRWN: DBYRNES 2006/10/11			MATERIAL NUMBER		CUSTOMER		SHEET NUMBER
0 PLACES ±		APPR: EOMAHONY 2006/10/12			SEE CHART		GENERAL MARKET		4 OF 5
DRAFT WHERE APPLICABLE MUST REMAIN WITHIN DIMENSIONS		THIRD ANGLE PROJECTION	DRAWING	SERIES	MATERIAL NUMBER		CUSTOMER		SHEET NUMBER
			A3-SIZE	95501	SEE CHART		GENERAL MARKET		4 OF 5

# SPECIAL PACKAGING TUBE, SEE PACKAGING SPEC PK95001 SHEET 3

## PART NO. FOR JACK ASSEMBLY THROUGH HOLE VERSION

LCP GLASS FILLED UL 94-V0, COLOUR BLACK.

NO KEY	TOOLED	KEY		TOOLED	TOOLED	TOOLED
		NOT RIBBED	TOOLED			
95501-2401	X					
95501-2611	X					
95501-2821	X					

## PART NO. FOR JACK ASSEMBLY SMT VERSION

LCP GLASS FILLED UL 94-V0, COLOUR BLACK.

NO KEY	TOOLED	KEY		NO KEY	TOOLED	KEY		TOOLED
		NOT RIBBED	TOOLED			NOT RIBBED	TOOLED	
95501-6449	X							
95501-6649	X							
95501-6669	X							
95501-6889	X	95501-6890	X					

HOUSING SIZE	LOADED CONTACTS
4	4
6	4
6	6
8	8

THIS DRAWING CONTAINS INFORMATION THAT IS PROPRIETARY TO MOLEX ELECTRONIC TECHNOLOGIES, LLC AND SHOULD NOT BE USED WITHOUT WRITTEN PERMISSION												
DIMENSION UNITS	SCALE	CURRENT REV DESC: REMASTERED USING 3D MODELS				molex						
mm	1:1	EC NO: 686849 DRWN: SANTHN 2021/05/21 CHK'D: KLANG 2022/01/10 APPR: KLANG 2022/01/10 INITIAL REVISION: DRWN: DBYRNES 2006/10/11 APPR: EOMAHONY 2006/10/12				R/A LOW PROFILE PC JACK 4,6,8 CKTS SIZE THROUGH HOLE VERSION						
GENERAL TOLERANCES (UNLESS SPECIFIED)						PRODUCT CUSTOMER DRAWING						
ANGULAR TOL	± °					DOCUMENT NUMBER				DOC TYPE	DOC PART	REVISION
4 PLACES	±					SD-95501-001		PSD	001	F1		
3 PLACES	±											
2 PLACES	± 0.15											
1 PLACE	± 0.25											
0 PLACES	±											
DRAFT WHERE APPLICABLE MUST REMAIN WITHIN DIMENSIONS	THIRD ANGLE PROJECTION	DRAWING	SERIES	MATERIAL NUMBER	CUSTOMER	SHEET NUMBER						
		A3-SIZE	95501	SEE CHART	GENERAL MARKET	5 OF 5						