

NOTES:

1) MATERIAL:

HOUSING: NYLON(PA), GLASS FILLED, UL94V-0, COLOR: SEE SHEETS 5 AND 6
 INSULATOR: NYLON(PA), GLASS FILLED, UL94V-0, COLOR: SEE SHEETS 5 AND 6
 TERMINALS: PHOSPHOR BRONZE, 0.30 mm THICK
 SHIELD: BRASS, 0.18 mm THICK

2) FINISH:

TERMINALS:

A = SELECT GOLD IN CONTACT AREA: 1.27 MICROMETERS MIN.,
 *SELECT TIN IN PC TAIL AREA: 2.54 MICROMETERS MIN.,
 WITH OVERALL NICKEL UNDERPLATE: 1.27 MICROMETERS MIN.
 B = SELECT GOLD IN CONTACT AREA: 0.76 MICROMETERS MIN.,
 *SELECT TIN IN PC TAIL AREA: 2.54 MICROMETERS MIN.,
 WITH OVERALL NICKEL UNDERPLATE: 1.27 MICROMETERS MIN.
 *THE PRIMARY SHIPPING CARTON WILL BE LABELED "COMPLIANT TO RoHS
 DIRECTIVE 2002/95/EC AND ELV ANNEX II OF DIRECTIVE 2000/53/EC".
 CARTONS WITHOUT THIS LABEL MAY CONTAIN PRODUCT WITH TIN-LEAD
 IN THE PC TAILS AND/OR SHIELD.

SHIELD:

2.54 MICROMETERS NICKEL OVER 1.27 MICROMETERS COPPER
 UNDERPLATE PCB GROUND TABS DIPPED IN TIN

3) PRODUCT SPECIFICATION AND PROCESSING PARAMETERS: PS-43202.

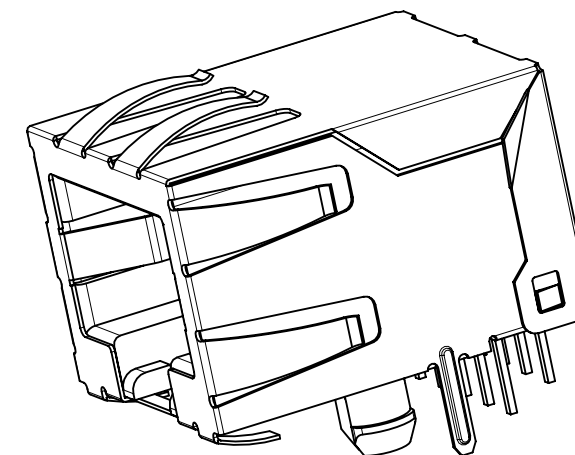
4) PACKAGING SPECIFICATION:

UNSHIELDED CONNECTOR ASSEMBLIES PACKAGED IN THERMOFORMED TRAYS
 PER MOLEX PACKAGING SPECIFICATION PK-43202-003.
 UNSHIELDED CONNECTOR ASSEMBLIES PACKAGED IN TUBES
 PER MOLEX PACKAGING SPECIFICATION PK-43202-005.
 SHIELDED CONNECTOR ASSEMBLIES PACKAGED IN THERMOFORMED TRAYS
 PER MOLEX PACKAGING SPECIFICATION PK-43202-004.

5) SEE SHEETS 7 - 9 FOR P.C. BOARD LAYOUTS.

6) CONFORMS TO FCC REGULATION PART 68.5 FOR MODULAR JACKS.

7) THIS PART CONFORMS TO CLASS B REQUIREMENTS OF COSMETIC
 SPECIFICATION PS-45499-002.



SHIELDED MODULAR JACK
 SHOWN WITH PANEL GROUND
 OPTION "D" AND FRONT
 PCB GROUND TABS

DRAWING LEGEND

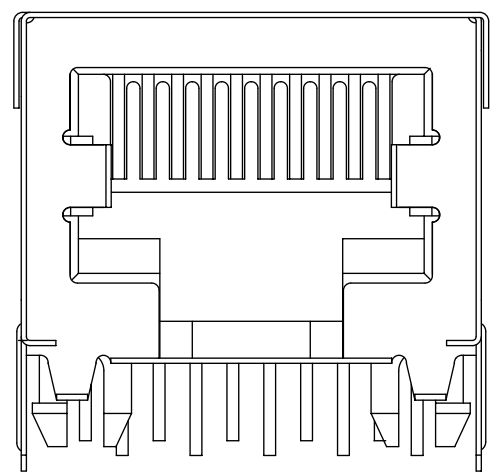
SHEET 1- NOTES, DRAWING LEGEND
 SHEET 2- SHIELDED MODULAR JACK W/ BOTTOM GROUND TABS
 SHEET 3- SHIELDED MODULAR JACK W/O BOTTOM GROUND TABS
 SHEET 4- UNSHIELDED MODULAR JACK
 SHEET 5- PART NUMBER CHARTS
 SHEET 6- PART NUMBER CHARTS
 SHEET 7- FOOTPRINT LAYOUT 4 POSITION HOUSING
 SHEET 8- FOOTPRINT LAYOUT 6 POSITION HOUSING
 SHEET 9- FOOTPRINT LAYOUT 8 POSITION HOUSING

THIS DRAWING CONTAINS INFORMATION THAT IS PROPRIETARY TO MOLEX ELECTRONIC TECHNOLOGIES, LLC AND SHOULD NOT BE USED WITHOUT WRITTEN PERMISSION										
FUNCTIONAL SYMBOLS	DIMENSION UNITS	SCALE	CURRENT REV DESC: MIGRATION TO NX							
$\nabla = 0$	mm	3:1	EC NO: 704381 DRWN: FAYEW 2022/04/18 CHKD: KLANG 2022/05/16 APPR: KLANG 2022/05/16 INITIAL REVISION: DRWN: RFC_PLMIMP 2018/11/02 APPR: REDGLEY 2000/10/17							
$\nabla = 0$	GENERAL TOLERANCES (UNLESS SPECIFIED)									
$\nabla = 0$	ANGULAR TOL $\pm 0.5^\circ$									
DIVISIONAL SYMBOLS	4 PLACES	\pm	PRODUCT CUSTOMER DRAWING				DOCUMENT NUMBER	DOC TYPE	DOC PART	REVISION
	3 PLACES	\pm	SDA-43202				PSD	001	L9	
	2 PLACES	± 0.25	MATERIAL NUMBER				CUSTOMER	SHEET NUMBER		
	1 PLACE	± 0.36	GENERAL MARKET				1 OF 9			
	0 PLACES	\pm	DRAFT WHERE APPLICABLE MUST REMAIN WITHIN DIMENSIONS							
	THIRD ANGLE PROJECTION		DRAWING	SERIES	MATERIAL NUMBER		CUSTOMER	SHEET NUMBER		
			B-SIZE	43202	GENERAL MARKET		1 OF 9			

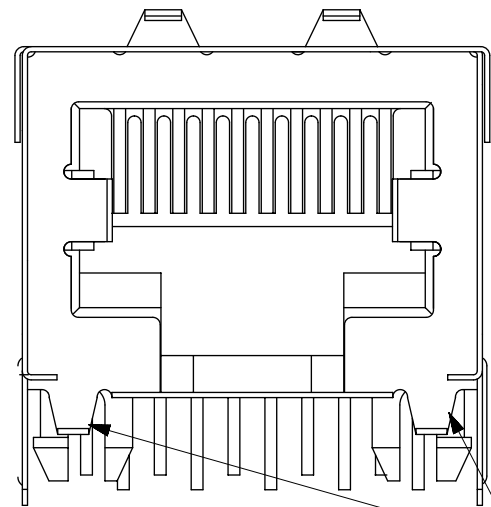
SHIELD MODULAR JACK W/BOTTOM GROUND TABS

SIZE 8 LOADED 10 VERSION SHOWN

SIDE/TOP GROUND TAB OPTIONS FOR SHIELDS



OPTION "A"
NO TOP OR SIDE TABS

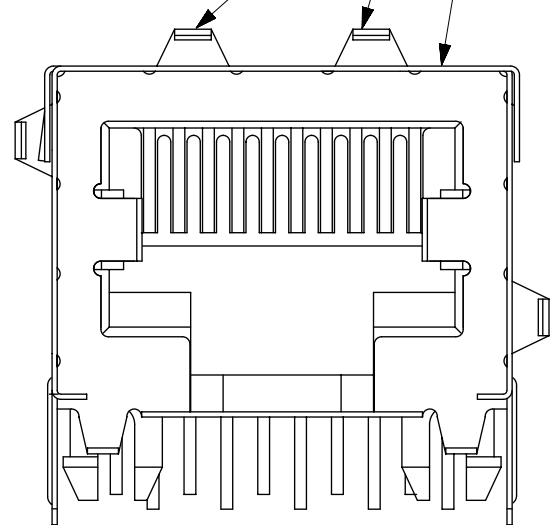


OPTION "B"
TOP TABS
BOTTOM GROUND TABS

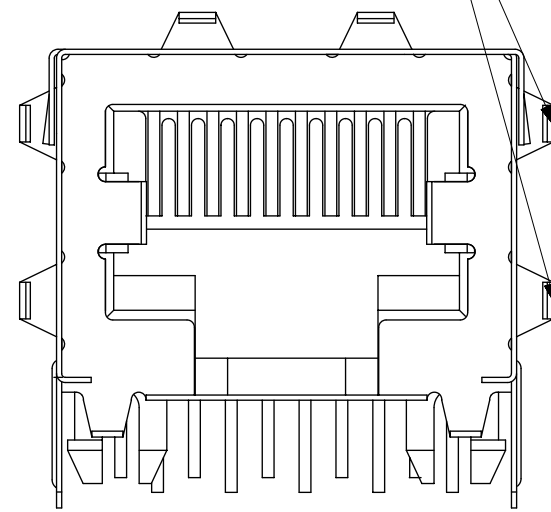
OPTIONAL TOP GROUND TABS

SHIELDED MODULAR JACK ASSEMBLY SEE SHEET 5 FOR MATERIAL NO.

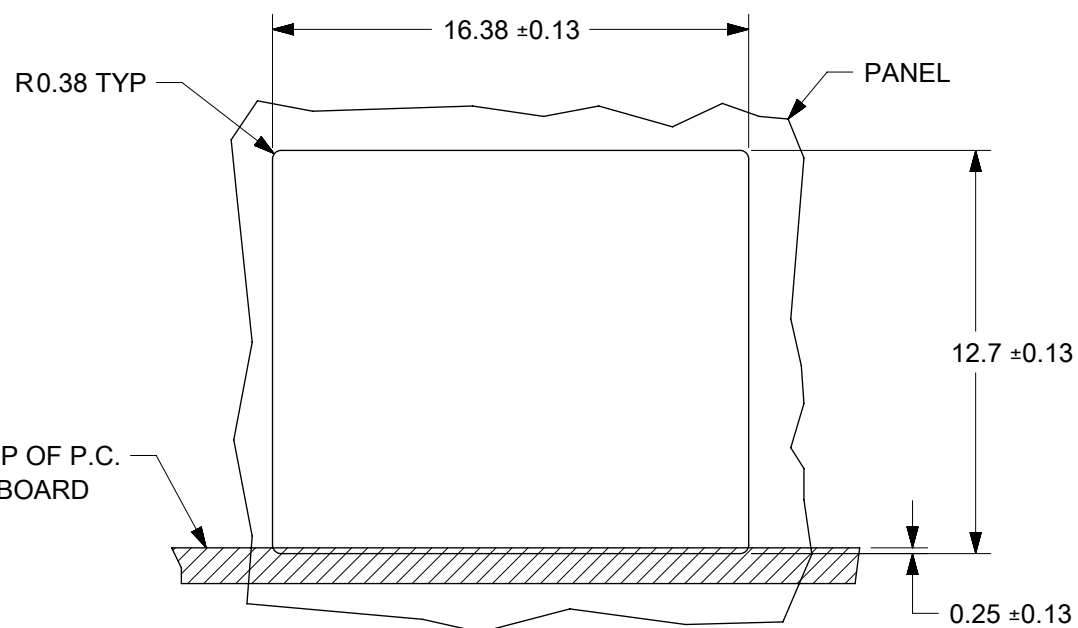
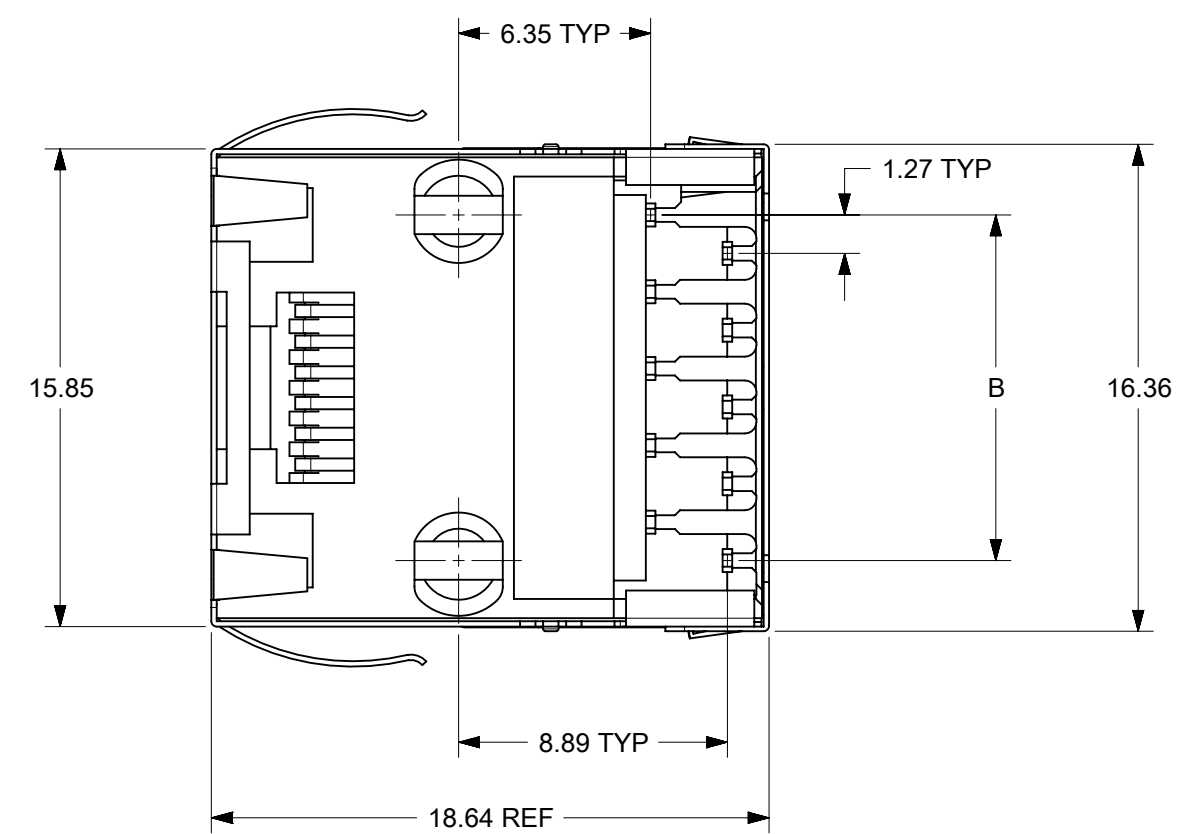
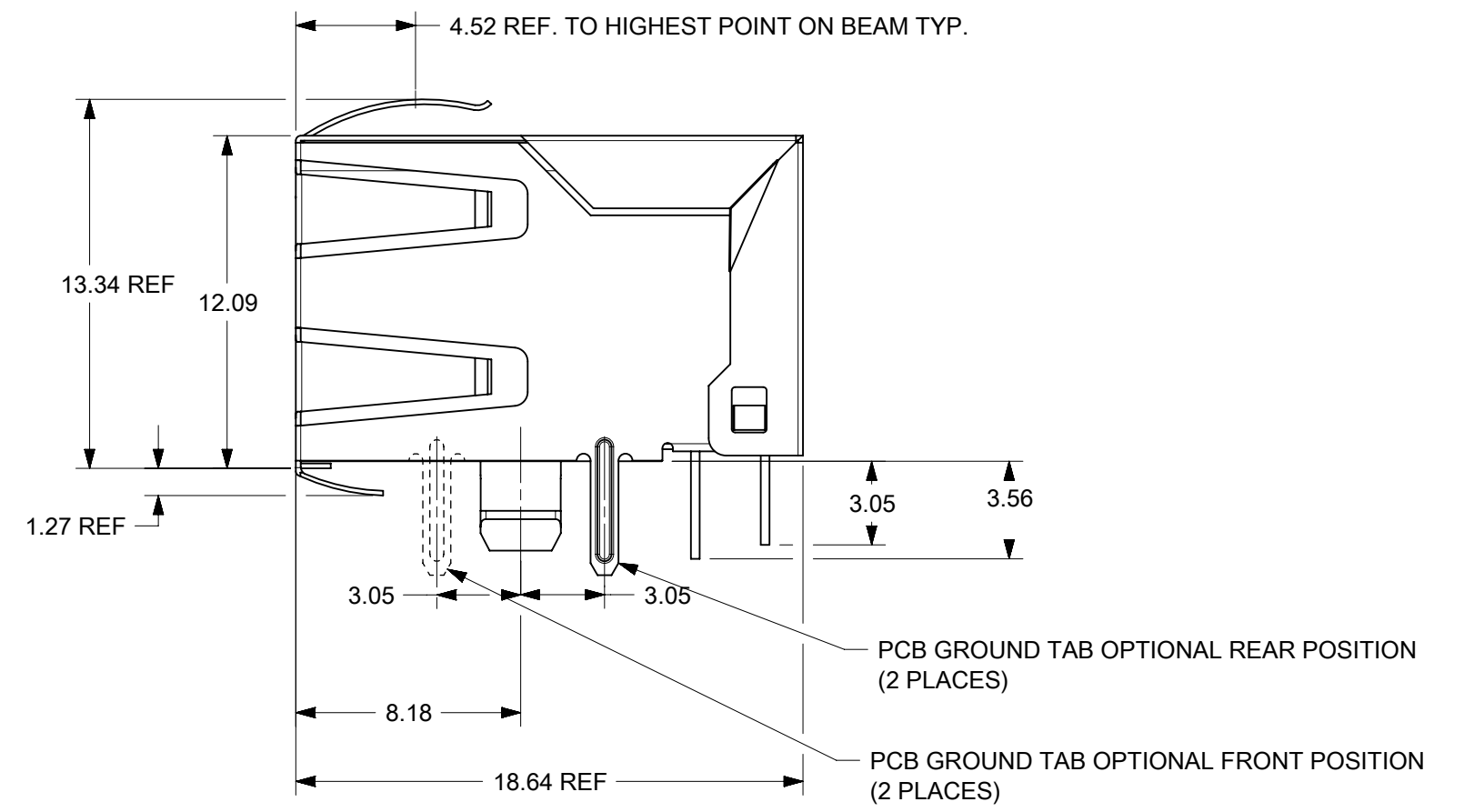
OPTIONAL SIDE GROUND TABS (2 PLACES)



OPTION "C"
TOP AND STAGGERED SIDE TABS



OPTION "D"
TOP AND SIDE TABS



PANEL CUT-OUT
(SHIELDED W/BOTTOM GROUND TABS)

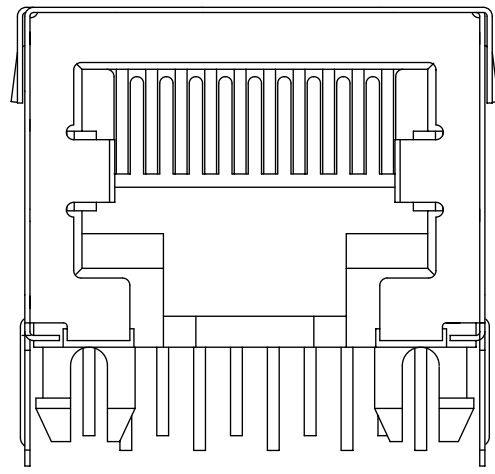
HOUSING SIZE	CIRCUIT SIZE	B
8	10	11.43±0.13
8	8	8.89±0.13

FUNCTIONAL SYMBOLS $\nabla_A = 0$ $\nabla_C = 0$ $\nabla_P = 0$	THIS DRAWING CONTAINS INFORMATION THAT IS PROPRIETARY TO MOLEX ELECTRONIC TECHNOLOGIES, LLC AND SHOULD NOT BE USED WITHOUT WRITTEN PERMISSION		CURRENT REV DESC: MIGRATION TO NX		
	DIMENSION UNITS mm	SCALE 4:1	molex ULTRA LOW PROFILE RIGHT ANGLE MODULAR JACK ASSEMBLY		
	GENERAL TOLERANCES (UNLESS SPECIFIED) ANGULAR TOL ± 0.5°				
DIVISIONAL SYMBOLS	4 PLACES ±	EC NO: 704381	2022/04/18		
	3 PLACES ±	DRWN: FAYEW	2022/05/16		
	2 PLACES ± 0.25	CHK'D: KLANG	2022/05/16		
	1 PLACE ± 0.36	APPR: KLANG	2022/05/16		
0 PLACES ±	INITIAL REVISION:	2018/11/02			
DRAFT WHERE APPLICABLE MUST REMAIN WITHIN DIMENSIONS		DRWN: RFC_PLMIMP	2000/10/17		
THIRD ANGLE PROJECTION		APPR: REDGLEY	2000/10/17		
DRAWING		SERIES	DOCUMENT NUMBER	DOC TYPE	
C-SIZE		43202	SDA-43202	PSD	
SHEET NUMBER		CUSTOMER		REVISION	
2 OF 9		GENERAL MARKET		L9	

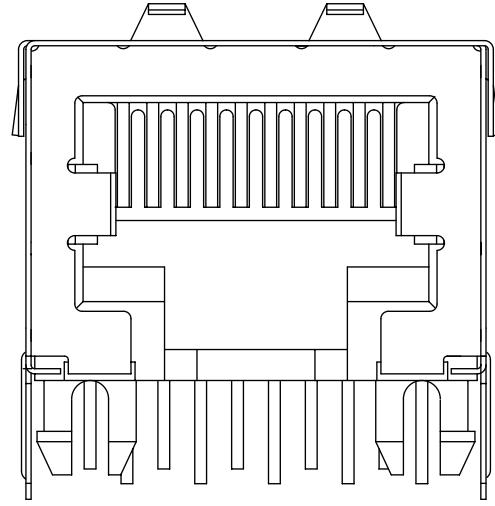
SHIELDED MODULAR JACK W/O BOTTOM GROUND TABS

SIZE 8, LOADED 10 VERSION SHOWN

SIDE/TOP GROUND TAB OPTIONS FOR SHIELDS



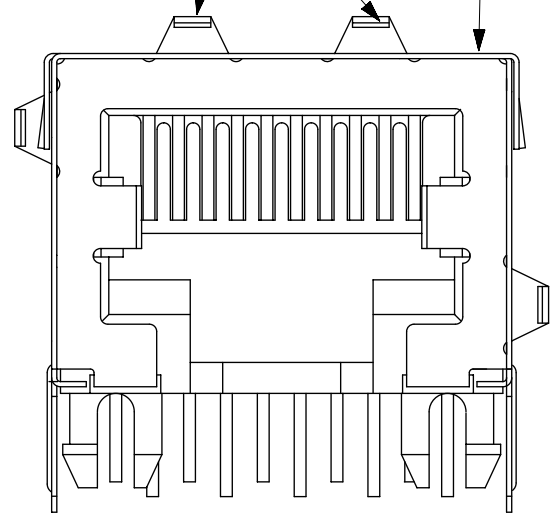
OPTION "E"
NO TOP OR SIDE TABS



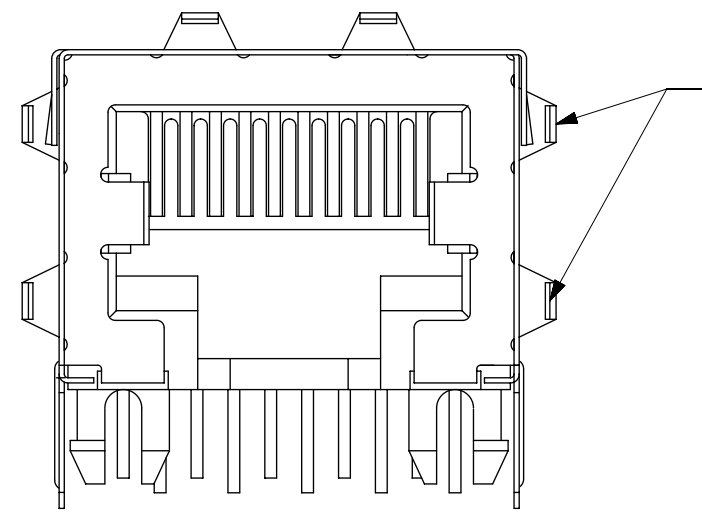
OPTION "F"
TOP TABS

OPTIONAL GROUND TABS

SHIELDED MODULAR JACK ASSEMBLY
SEE SHEET 6 FOR MATERIAL NO.

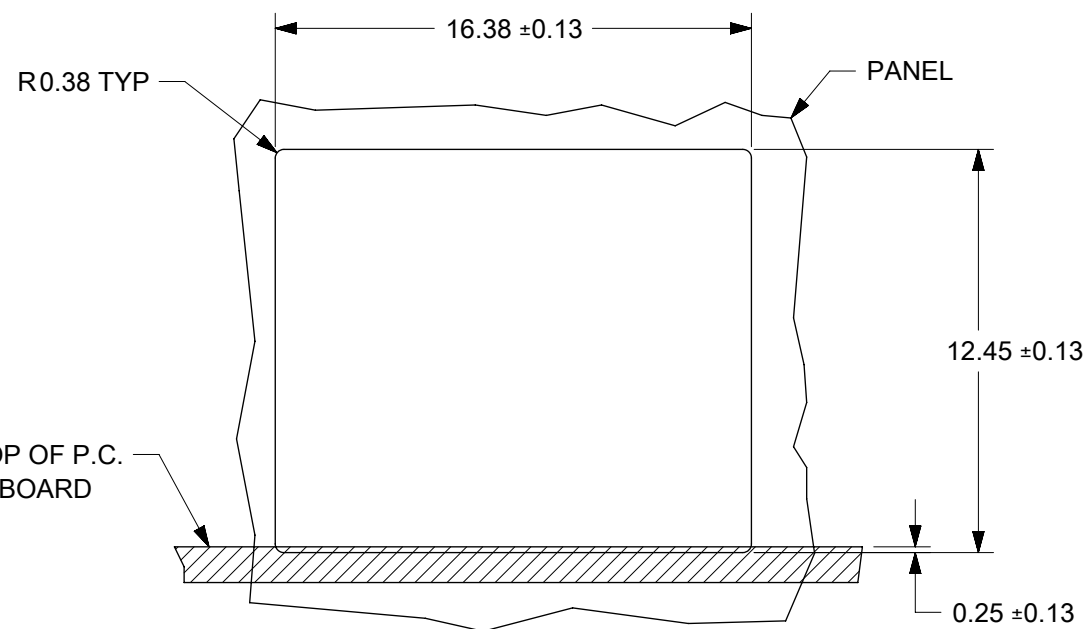
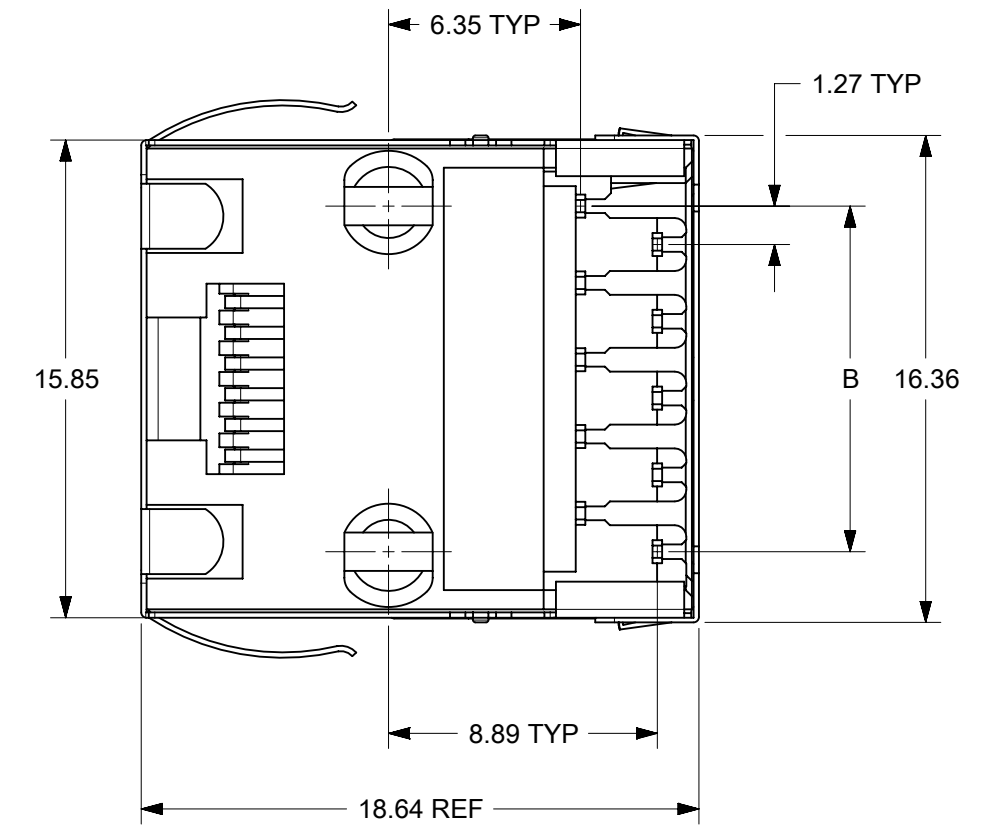
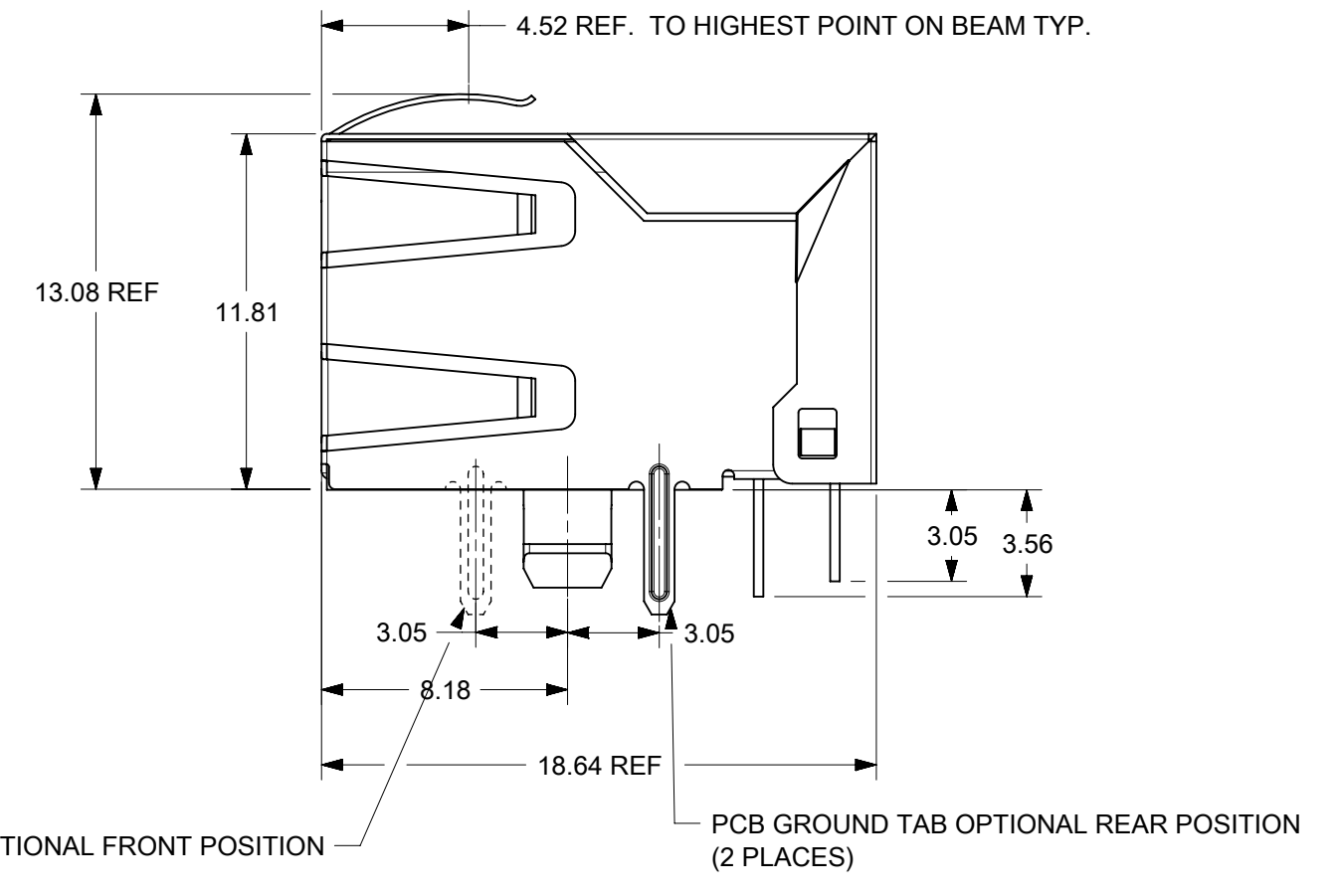


OPTION "G"
TOP AND STAGGERED SIDE TABS



OPTION "H"
TOP AND SIDE TABS

OPTIONAL SIDE
GROUND TABS
(2 PLACES)



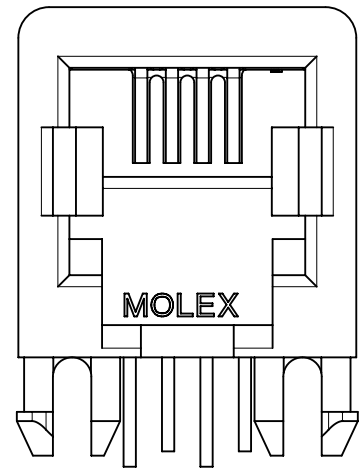
PANEL CUT-OUT
(SHIELDED W/O BOTTOM GROUND TABS)

HOUSING SIZE	CIRCUIT SIZE	DIM. B
8	10	11.43±0.13
8	8	8.89±0.13

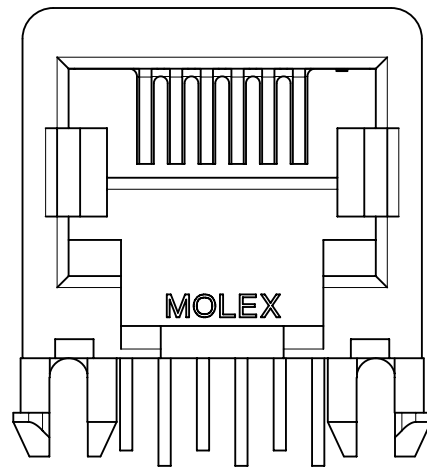
FUNCTIONAL SYMBOLS		THIS DRAWING CONTAINS INFORMATION THAT IS PROPRIETARY TO MOLEX ELECTRONIC TECHNOLOGIES, LLC AND SHOULD NOT BE USED WITHOUT WRITTEN PERMISSION		CURRENT REV DESC: MIGRATION TO NX			
DIMENSION UNITS		SCALE		EC NO: 704381			
mm		4:1		DRWN: FAYEW		2022/04/18	
GENERAL TOLERANCES (UNLESS SPECIFIED)		ANGULAR TOL ± 0.5°		CHK'D: KLANG		2022/05/16	
4 PLACES ±		3 PLACES ±		APPR: KLANG		2022/05/16	
2 PLACES ± 0.25		1 PLACE ± 0.36		INITIAL REVISION:		DOCUMENT NUMBER	
0 PLACES ±		DRAFT WHERE APPLICABLE MUST REMAIN WITHIN DIMENSIONS		DRWN: RFC_PLMIMP		SDA-43202	
THIRD ANGLE PROJECTION		DRAWING		SERIES		DOC TYPE DOC PART REVISION	
C-SIZE		43202		MATERIAL NUMBER		PSD 001 L9	
CUSTOMER		GENERAL MARKET		SHEET NUMBER		3 OF 9	

UNSHIELDED MODULAR JACKS

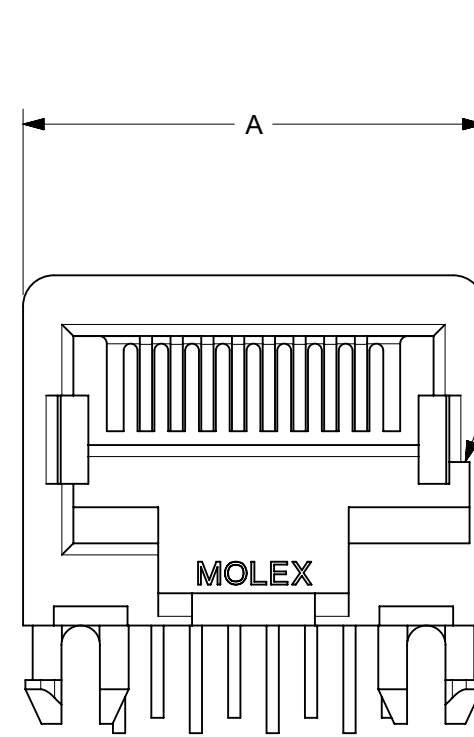
SIZE 8, LOADED 10 SHOWN



SIZE 4
LOADED 4 SHOWN

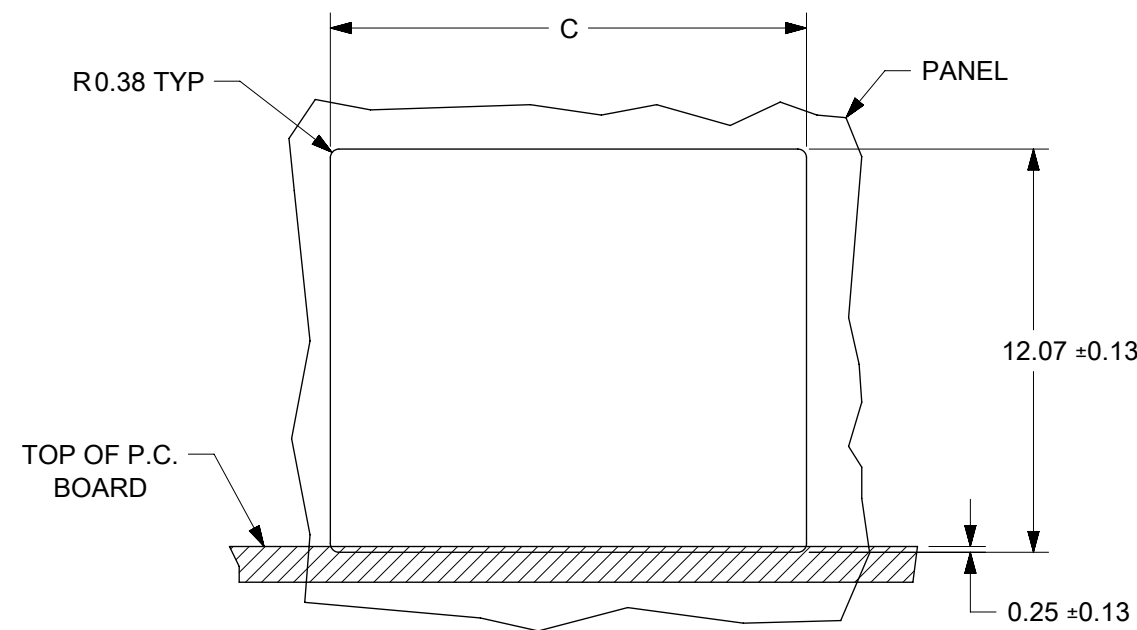
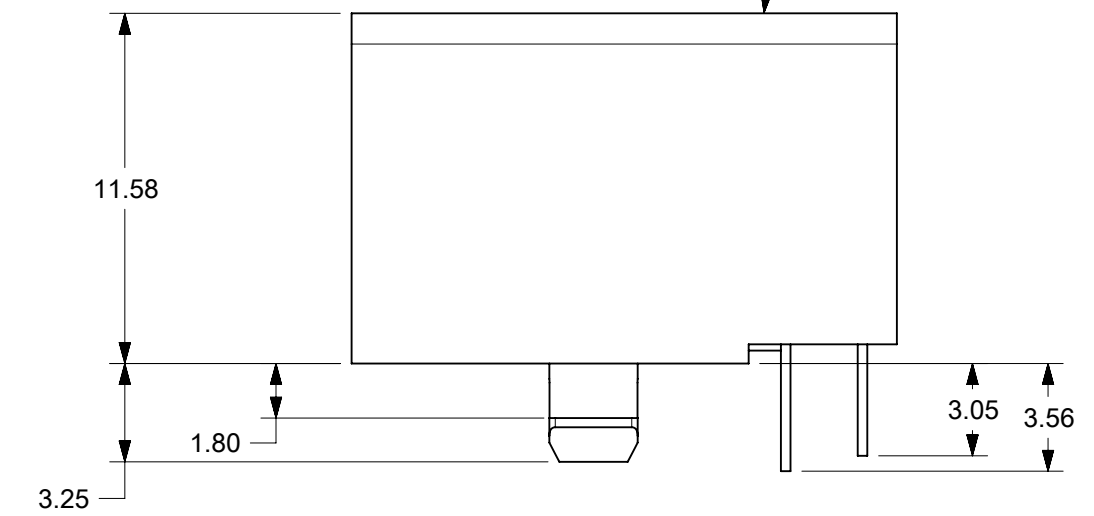


SIZE 6
LOADED 6 SHOWN

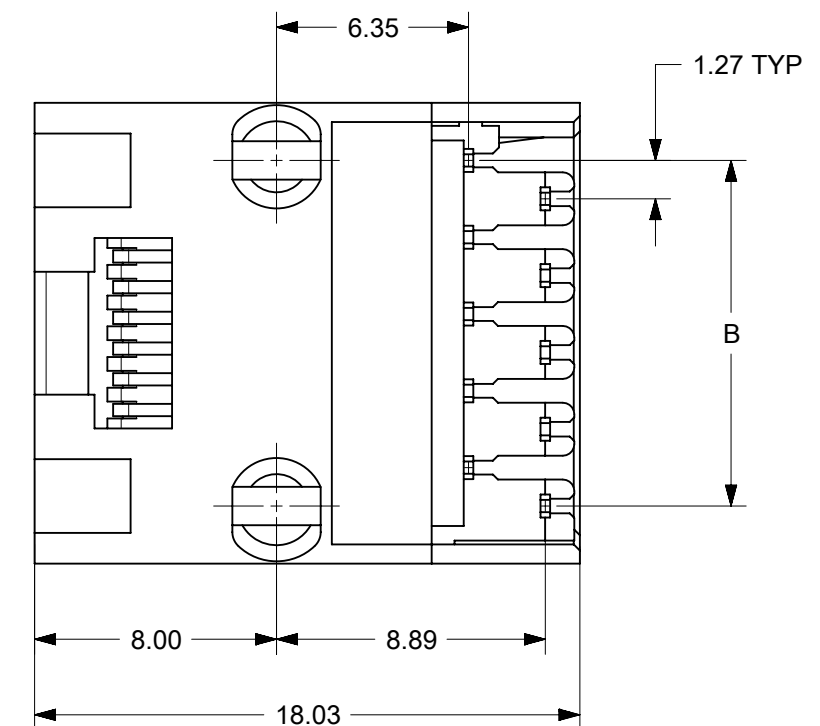


OPTIONAL KEYING SLOT
(8 POSITION, UNSHIELDED HOUSING ONLY)

MODULAR JACK ASSEMBLY
SEE SHEET 6 FOR MATERIAL NO.



PANEL CUT-OUT (UNSHIELDED)



HOUSING SIZE	LOADED CIRCUIT	A	B	C
4	4	11.18	3.81±0.13	11.68±0.13
4	2	11.18	1.27±0.13	11.68±0.13
6	6	13.21	6.35±0.13	13.72±0.13
6	4	13.21	3.81±0.13	13.72±0.13
6	2	13.21	1.27±0.13	13.72±0.13
8	10	15.24	11.43±0.13	15.75±0.13
8	8	15.24	8.89±0.13	15.75±0.13
8	6	15.24	6.35±0.13	15.75±0.13
8	4	15.24	3.81±0.13	15.75±0.13
8	2	15.24	1.27±0.13	15.75±0.13

FUNCTIONAL SYMBOLS	THIS DRAWING CONTAINS INFORMATION THAT IS PROPRIETARY TO MOLEX ELECTRONIC TECHNOLOGIES, LLC AND SHOULD NOT BE USED WITHOUT WRITTEN PERMISSION		
	DIMENSION UNITS	SCALE	CURRENT REV DESC: MIGRATION TO NX
$\frac{F}{A} = 0$	mm	4:1	EC NO: 704381 DRWN: FAYEW CHK'D: KLANG APPR: KLANG 2022/04/18 2022/05/16 2022/05/16
$\frac{E}{C} = 0$	GENERAL TOLERANCES (UNLESS SPECIFIED)		
$\frac{E}{P} = 0$	ANGULAR TOL ± 0.5°		INITIAL REVISION: DRWN: RFC_PLMIMP APPR: REDGLE 2018/11/02 2000/10/17
DIVISIONAL SYMBOLS	4 PLACES ±	3 PLACES ±	
	2 PLACES ± 0.25	1 PLACE ± 0.36	PRODUCT CUSTOMER DRAWING DOCUMENT NUMBER SDA-43202 DOC TYPE PSD DOC PART 001 REVISION L9
	0 PLACES ±		MATERIAL NUMBER CUSTOMER GENERAL MARKET SHEET NUMBER 4 OF 9
	DRAFT WHERE APPLICABLE MUST REMAIN WITHIN DIMENSIONS	THIRD ANGLE PROJECTION	DRAWING C-SIZE SERIES 43202

H
G
F
E
D
C
B
A

SHIELDED MODULAR JACKS W/BOTTOM GROUND TABS (SHEET 2)								
NOT TOOLED "X"	ASSEMBLY MATERIAL NUMBER.	CONNECTOR SIZE	NOMBER OF CIRCUITS	SIDE/TOP PANEL GROUND TAB OPTION	PCB GROUND TAB POSITION	TERMINAL PLATING OPTION	PACKAGING OPTION	HOUSING COLOR
X	43202-8900	8	10	A	FRONT POSITION	A	TRAY	BLACK
X	43202-8901	8	10	B	FRONT POSITION	A	TRAY	
X	43202-8902	8	10	C	FRONT POSITION	A	TRAY	
X	43202-8903	8	10	D	FRONT POSITION	A	TRAY	
X	43202-8908	8	10	A	REAR POSITION	A	TRAY	
X	43202-8909	8	10	B	REAR POSITION	A	TRAY	
X	43202-8910	8	10	C	REAR POSITION	A	TRAY	
	43202-8911	8	10	D	REAR POSITION	A	TRAY	
	43202-8916	8	8	A	FRONT POSITION	A	TRAY	
	43202-8917	8	8	B	FRONT POSITION	A	TRAY	
X	43202-8918	8	8	C	FRONT POSITION	A	TRAY	
	43202-8919	8	8	D	FRONT POSITION	A	TRAY	
	43202-8924	8	8	A	REAR POSITION	A	TRAY	
X	43202-8925	8	8	B	REAR POSITION	A	TRAY	
X	43202-8926	8	8	C	REAR POSITION	A	TRAY	
	43202-8927	8	8	D	REAR POSITION	A	TRAY	

FUNCTIONAL SYMBOLS $\nabla_A = 0$ $\nabla_C = 0$ $\nabla_P = 0$ DIVISIONAL SYMBOLS	THIS DRAWING CONTAINS INFORMATION THAT IS PROPRIETARY TO MOLEX ELECTRONIC TECHNOLOGIES, LLC AND SHOULD NOT BE USED WITHOUT WRITTEN PERMISSION			
	DIMENSION UNITS mm	SCALE 1:1	CURRENT REV DESC: MIGRATION TO NX	
	GENERAL TOLERANCES (UNLESS SPECIFIED) ANGULAR TOL $\pm 0.5^\circ$		EC NO: 704381 DRWN: FAYEW CHK'D: KLANG APPR: KLANG	2022/04/18 2022/05/16 2022/05/16
	4 PLACES \pm 3 PLACES \pm 2 PLACES ± 0.25 1 PLACE ± 0.36 0 PLACES \pm		INITIAL REVISION: DRWN: RFC_PLMIMP APPR: REDGLE	2018/11/02 2000/10/17
DRAFT WHERE APPLICABLE MUST REMAIN WITHIN DIMENSIONS		THIRD ANGLE PROJECTION 	DRAWING C-SIZE	SERIES 43202
DOCUMENT STATUS P1 RELEASE DATE 2022/05/16 17:27:51				PRODUCT CUSTOMER DRAWING
		ULTRA LOW PROFILE RIGHT ANGLE MODULAR JACK ASSEMBLY		DOCUMENT NUMBER SDA-43202
		EC NO: 704381 DRWN: FAYEW CHK'D: KLANG APPR: KLANG		DOC TYPE PSD
		INITIAL REVISION: DRWN: RFC_PLMIMP APPR: REDGLE		DOC PART 001
		THIRD ANGLE PROJECTION 		REVISION L9
		DRAFT WHERE APPLICABLE MUST REMAIN WITHIN DIMENSIONS		MATERIAL NUMBER CUSTOMER GENERAL MARKET
		DRAFT WHERE APPLICABLE MUST REMAIN WITHIN DIMENSIONS		SHEET NUMBER 5 OF 9

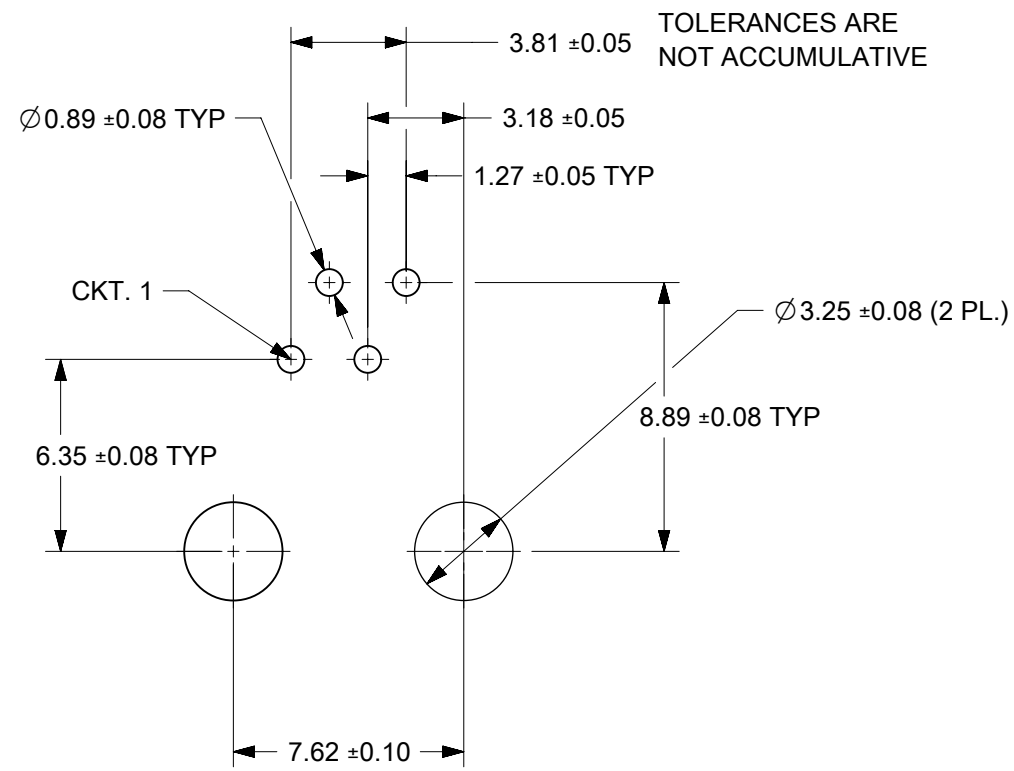
SHIELDED MODULAR JACKS W/O BOTTOM GROUND TABS (SHEET 3)

NOT TOOLED "X"	ASSEMBLY MATERIAL NUMBER	CONNECTOR SIZE	NUMBER OF CIRCUITS	SIDE/TOP PANEL GROUND TAB OPTION	PCB GROUND TAB OPTION	TERMINAL PLATING OPTION	PACKAGING OPTION	HOUSING COLOR
X	43202-8800	8	10	E	FRONT POSITION	A	TRAY	BLACK
X	43202-8801	8	10	F	FRONT POSITION	A	TRAY	
X	43202-8802	8	10	G	FRONT POSITION	A	TRAY	
X	43202-8803	8	10	H	FRONT POSITION	A	TRAY	
X	43202-8808	8	10	E	REAR POSITION	A	TRAY	
X	43202-8809	8	10	F	REAR POSITION	A	TRAY	
X	43202-8810	8	10	G	REAR POSITION	A	TRAY	
	43202-8811	8	10	H	REAR POSITION	A	TRAY	
	43202-8816	8	8	E	FRONT POSITION	A	TRAY	
	43202-8817	8	8	F	FRONT POSITION	A	TRAY	
	43202-8818	8	8	G	FRONT POSITION	A	TRAY	
	43202-8819	8	8	H	FRONT POSITION	A	TRAY	
	43202-8824	8	8	E	REAR POSITION	A	TRAY	
	43202-8825	8	8	F	REAR POSITION	A	TRAY	
X	43202-8826	8	8	G	REAR POSITION	A	TRAY	
	43202-8827	8	8	H	REAR POSITION	A	TRAY	

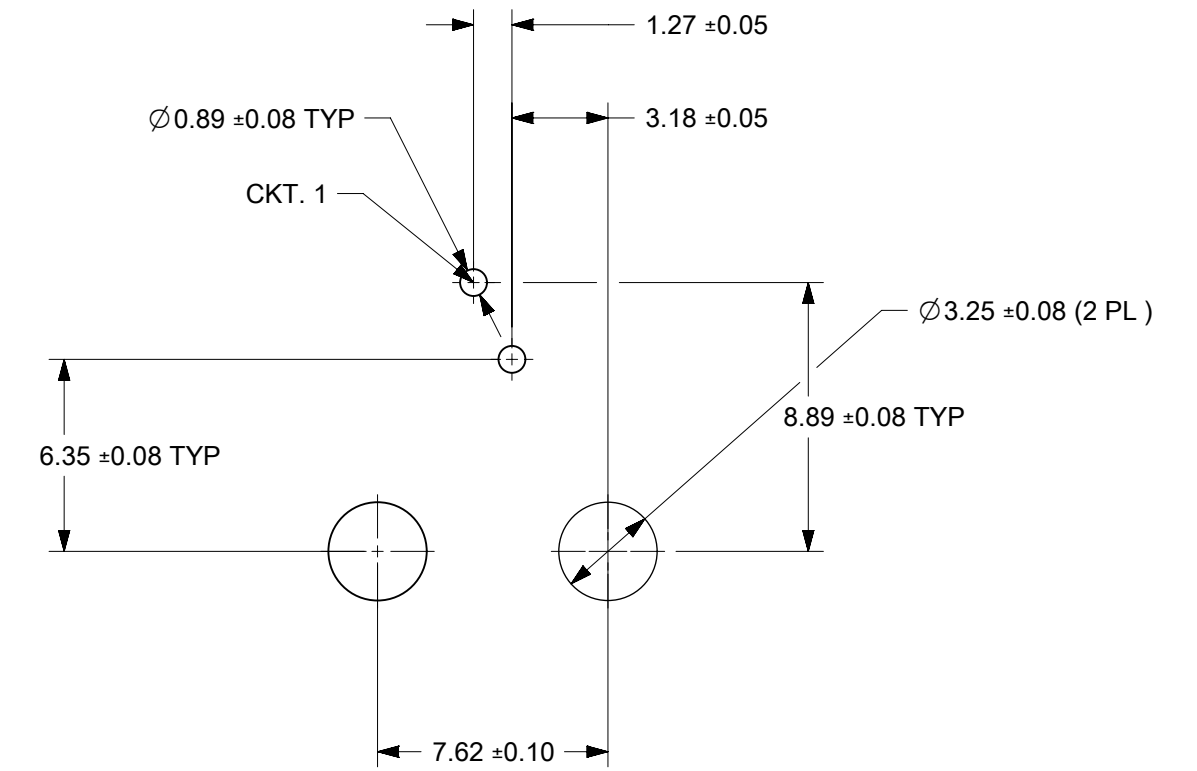
UNSHIELDED MODULAR JACKS- (SHEET 4)

NOT TOOLED "X"	ASSEMBLY MATERIAL NUMBER	CONNECTOR SIZE	NUMBER OF CIRCUITS	TERMINAL PLATING OPTION	KEYING OPTION	PACKAGING OPTION	HOUSING COLOR
	43202-4101	4	4	A	NO	TRAY	BLACK
X	43202-4104	4	2	A	NO	TRAY	
	43202-6101	6	6	A	NO	TRAY	
X	43202-6102	6	6	B	NO	TRAY	
X	43202-6104	6	4	A	NO	TRAY	
	43202-6105	6	4	B	NO	TRAY	
	43202-6107	6	2	A	NO	TRAY	
X	43202-6110	6	6	B	NO	TUBE	
X	43202-6113	6	2	A	NO	TRAY	ORANGE
X	43202-6116	6	2	A	NO	TRAY	GREEN
	43202-8101	8	10	A	NO	TRAY	BLACK
	43202-8104	8	8	A	NO	TRAY	
X	43202-8105	8	8	B	NO	TRAY	
	43202-8113	8	8	A	YES	TRAY	
X	43202-8116	8	6	A	NO	TRAY	
	43202-8119	8	4	A	NO	TRAY	
X	43202-8122	8	2	A	NO	TRAY	
X	43202-8125	8	8	A	NO	TRAY	BLUE
X	43202-8504	8	8	A	NO	TUBE	BLACK
X	43202-8513	8	8	A	YES	TUBE	

FUNCTIONAL SYMBOLS	THIS DRAWING CONTAINS INFORMATION THAT IS PROPRIETARY TO MOLEX ELECTRONIC TECHNOLOGIES, LLC AND SHOULD NOT BE USED WITHOUT WRITTEN PERMISSION		
	DIMENSION UNITS	SCALE	CURRENT REV DESC: MIGRATION TO NX
$\frac{F}{A} = 0$	mm	1:1	<p>molex</p> <p>ULTRA LOW PROFILE RIGHT ANGLE MODULAR JACK ASSEMBLY</p> <p>PRODUCT CUSTOMER DRAWING</p>
$\frac{F}{C} = 0$	GENERAL TOLERANCES (UNLESS SPECIFIED)		
$\frac{F}{P} = 0$	ANGULAR TOL ± 0.5°		
DIVISIONAL SYMBOLS	4 PLACES	±	EC NO: 704381
	3 PLACES	±	DRWN: FAYEW 2022/04/18
	2 PLACES	± 0.25	CHK'D: KLANG 2022/05/16
	1 PLACE	± 0.36	APPR: KLANG 2022/05/16
0 PLACES	±	INITIAL REVISION:	DOCUMENT NUMBER
DRAFT WHERE APPLICABLE MUST REMAIN WITHIN DIMENSIONS			DRWN: RFC_PLMIMP 2018/11/02
THIRD ANGLE PROJECTION			APPR: REDGLEW 2000/10/17
DRAWING			SDA-43202
SERIES			PSD 001 L9
C-SIZE			MATERIAL NUMBER
43202			CUSTOMER
			GENERAL MARKET
			SHEET NUMBER
			6 OF 9



PC BOARD LAYOUT FOR 4 POSITION HOUSING
 (4 CIRCUIT FOOT PRINT SHOWN)
 (COMPONENT SIDE OF BOARD)

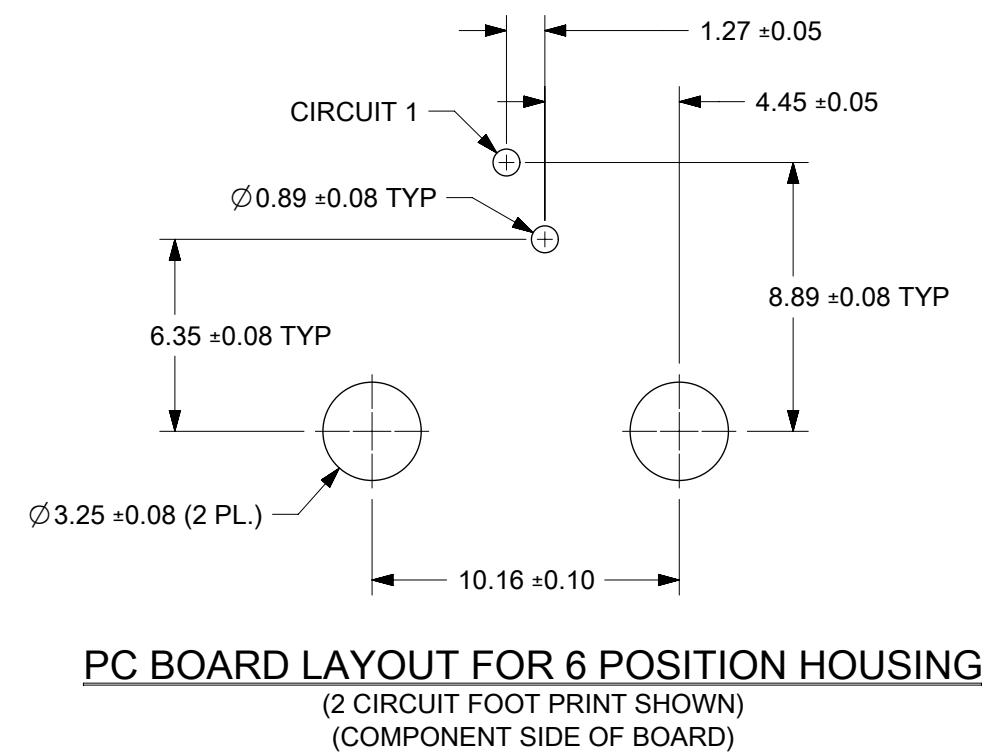
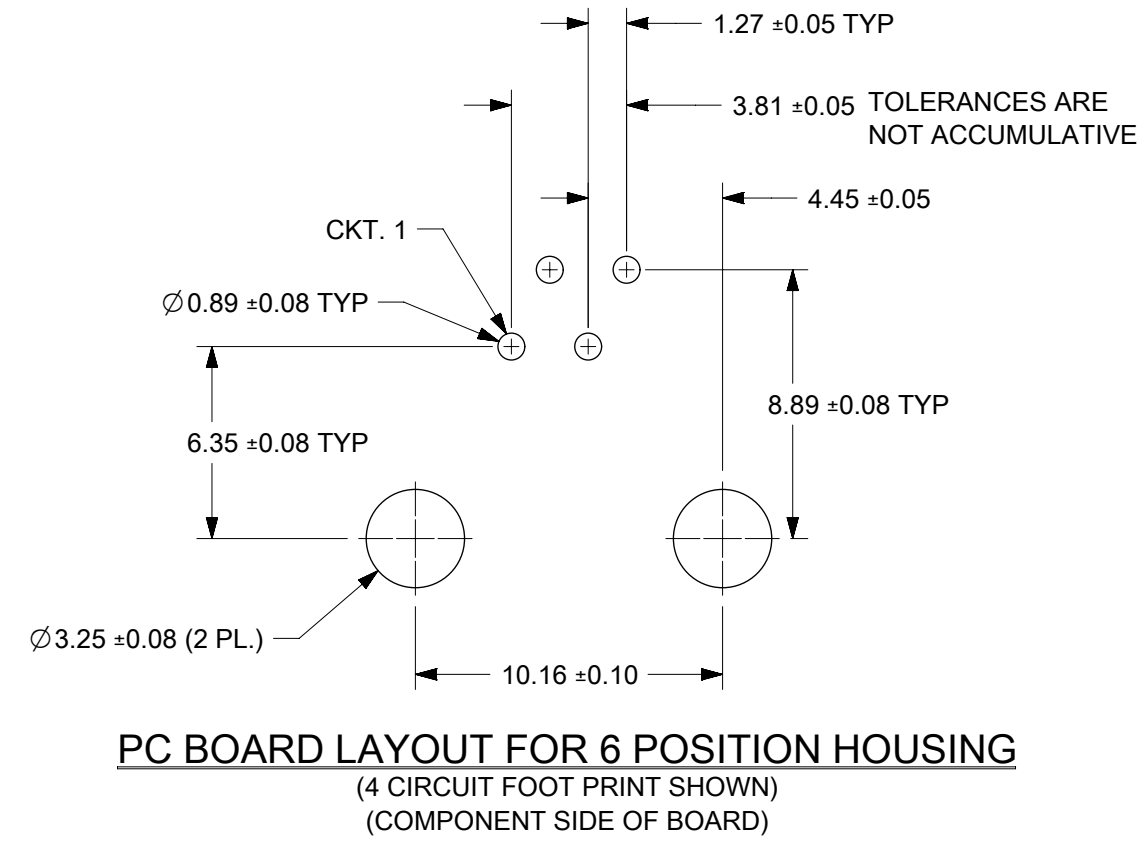
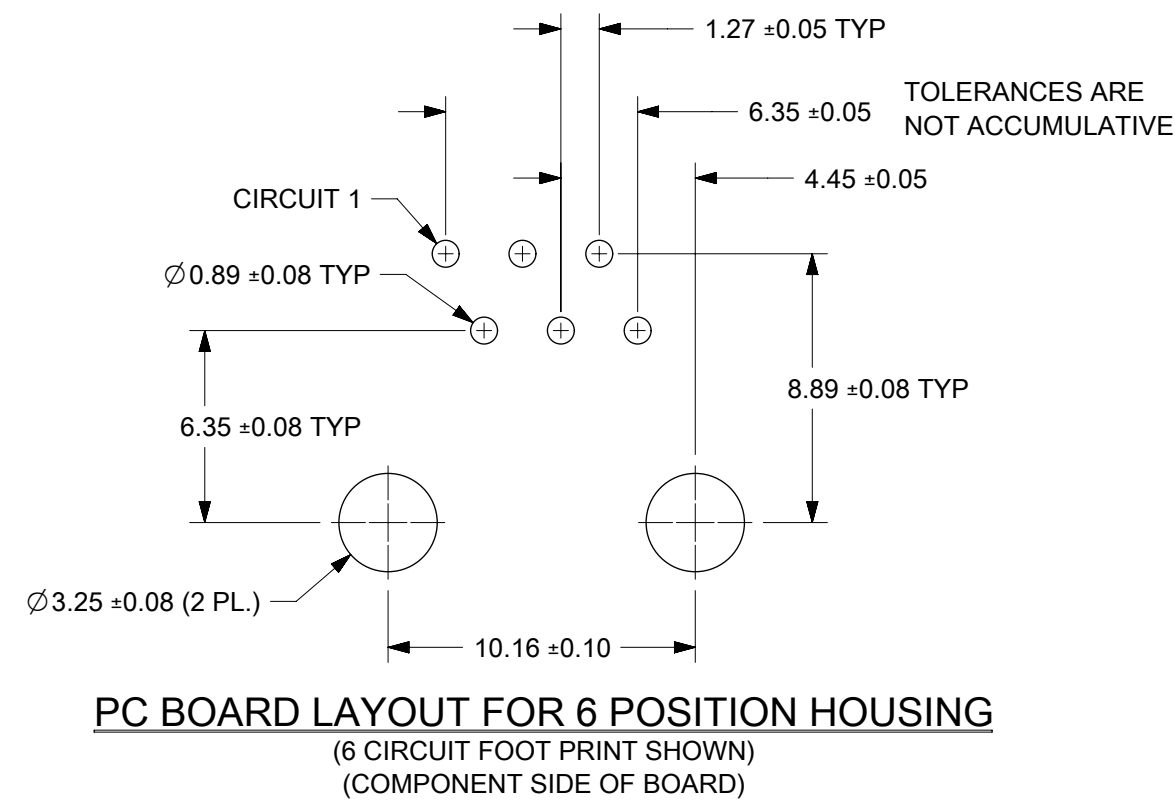


PC BOARD LAYOUT FOR 4 POSITION HOUSING
 (2 CIRCUIT FOOT PRINT SHOWN)
 (COMPONENT SIDE OF BOARD)

NOTES:

1. RECOMMENDED PCB THICKNESS: 1.57±0.13 mm.

FUNCTIONAL SYMBOLS	THIS DRAWING CONTAINS INFORMATION THAT IS PROPRIETARY TO MOLEX ELECTRONIC TECHNOLOGIES, LLC AND SHOULD NOT BE USED WITHOUT WRITTEN PERMISSION										
	▽A = 0	DIMENSION UNITS	SCALE	CURRENT REV DESC: MIGRATION TO NX							molex
▽C = 0	mm	1:1	GENERAL TOLERANCES (UNLESS SPECIFIED)							ULTRA LOW PROFILE RIGHT ANGLE MODULAR JACK ASSEMBLY	
▽P = 0	ANGULAR TOL ± 0.5°		4 PLACES ±		EC NO: 704381		2022/04/18		PRODUCT CUSTOMER DRAWING		
DIVISIONAL SYMBOLS	3 PLACES ±		DRWN: FAYEW		2022/05/16		CHK'D: KLANG		2022/05/16		
	2 PLACES ± 0.25		APPR: KLANG		INITIAL REVISION:		2018/11/02		DOCUMENT NUMBER		
	1 PLACE ± 0.36		DRWN: RFC_PLMIMP		2000/10/17		SDA-43202		DOC TYPE DOC PART REVISION		
	0 PLACES ±		APPR: REDGLE		2000/10/17		PSD 001 L9		SHEET NUMBER		
DRAFT WHERE APPLICABLE MUST REMAIN WITHIN DIMENSIONS			THIRD ANGLE PROJECTION		DRAWING		SERIES		MATERIAL NUMBER CUSTOMER SHEET NUMBER		
			C-SIZE		43202		GENERAL MARKET		7 OF 9		



NOTES:
1. RECOMMENDED PCB THICKNESS: 1.57±0.13 mm.

FUNCTIONAL SYMBOLS	THIS DRAWING CONTAINS INFORMATION THAT IS PROPRIETARY TO MOLEX ELECTRONIC TECHNOLOGIES, LLC AND SHOULD NOT BE USED WITHOUT WRITTEN PERMISSION						
	DIMENSION UNITS	SCALE	CURRENT REV DESC: MIGRATION TO NX				
$\frac{F}{A} = 0$	mm	1:1	molex ULTRA LOW PROFILE RIGHT ANGLE MODULAR JACK ASSEMBLY PRODUCT CUSTOMER DRAWING				
$\frac{F}{C} = 0$	GENERAL TOLERANCES (UNLESS SPECIFIED)						
$\frac{F}{P} = 0$	ANGULAR TOL ± 0.5°						
DIVISIONAL SYMBOLS	4 PLACES	±	EC NO: 704381				
	3 PLACES	±	DRWN: FAYEW 2022/04/18				
	2 PLACES	± 0.25	CHK'D: KLANG 2022/05/16				
	1 PLACE	± 0.36	APPR: KLANG 2022/05/16				
0 PLACES	±	INITIAL REVISION:	DOCUMENT NUMBER	DOC TYPE	DOC PART	REVISION	
			DRWN: RFC_PLMIMP 2018/11/02	SDA-43202	PSD	001	L9
			APPR: REDGLE 2000/10/17				
DRAFT WHERE APPLICABLE MUST REMAIN WITHIN DIMENSIONS	THIRD ANGLE PROJECTION	DRAWING	SERIES	MATERIAL NUMBER	CUSTOMER	SHEET NUMBER	
		C-SIZE	43202		GENERAL MARKET	8 OF 9	

