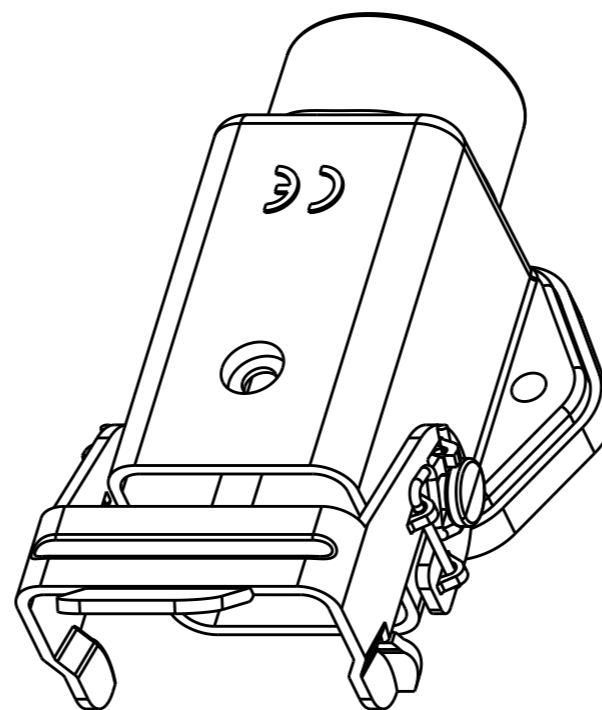
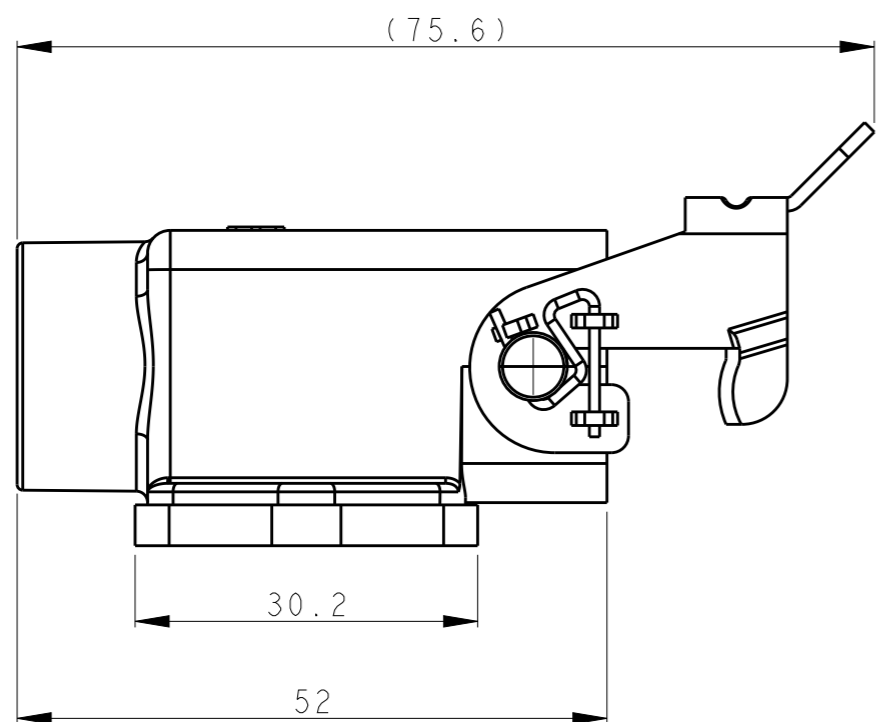
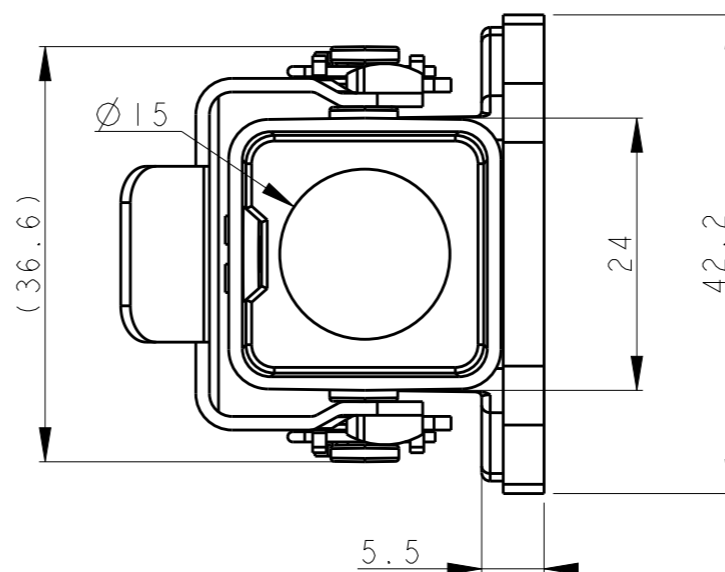
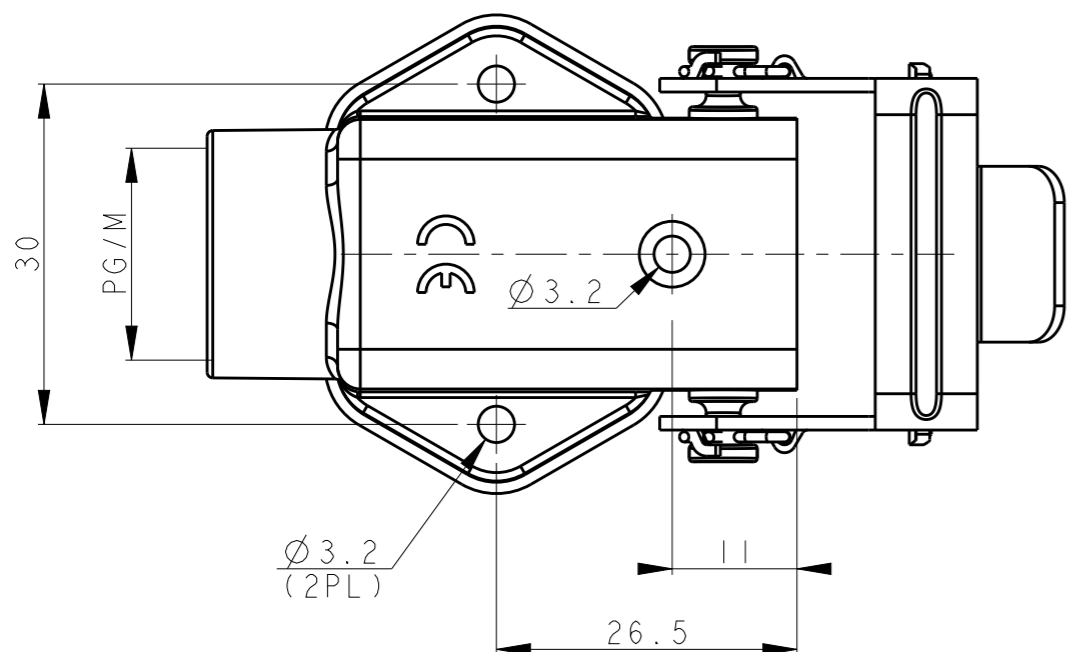


THIS DRAWING IS UNPUBLISHED. RELEASED FOR PUBLICATION 20
 © COPYRIGHT 20 BY - ALL RIGHTS RESERVED.

REVISIONS

P	LTR	DESCRIPTION	DATE	DWN	APVD
	A	INITIAL RELEASE	24APR2015	DL	CW
	B	ECR-20-007782	24NOV2020	BS	CW



NOTES:
 1. TECHNICAL CHARACTERISTICS:
 BODY MATERIAL: DIE CAST ZINC ALLOY
 SURFACE TREATMENT: POWDER-COATED, GRAY
 DEGREE OF PROTECTION: IP65 (MATED)

注释:
 1. 技术参数:
 主体材料: 锌合金
 表面处理: 粉末喷涂, 灰色
 防护等级: IP65(配合)

T1619030111-000	H3A-MAGSV-PG11	PG11
T1619030116-000	H3A-MAGSV-M16	M16
T1619030120-000	H3A-MAGSV-M20	M20
ASSEMBLY PART NUMBER	ASSEMBLY PART DESCRIPTION	PG/M

THIS DRAWING IS A CONTROLLED DOCUMENT.

DIMENSIONS:	TOLERANCES UNLESS OTHERWISE SPECIFIED:
mm	
	0 PLC ±-
	1 PLC ±-
	2 PLC ±-
	3 PLC ±-
	4 PLC ±-
	ANGLES ±-
MATERIAL	FINISH
-	-
-	-

DWN	24APR2015
DAVID LI	
CHK	24APR2015
CHRIS WANG	
APVD	24APR2015
XU XIANG	
PRODUCT SPEC	108-137012
APPLICATION SPEC	114-137012
WEIGHT	-
CUSTOMER DRAWING	

TE Connectivity		NAME		RESTRICTED TO
		H3A-MAGSV-PG/M		
SIZE	CAGE CODE	DRAWING NO		
A3	-	©-T16190301XX000		
SCALE		SHEET	OF	REV
3:2		1	1	B