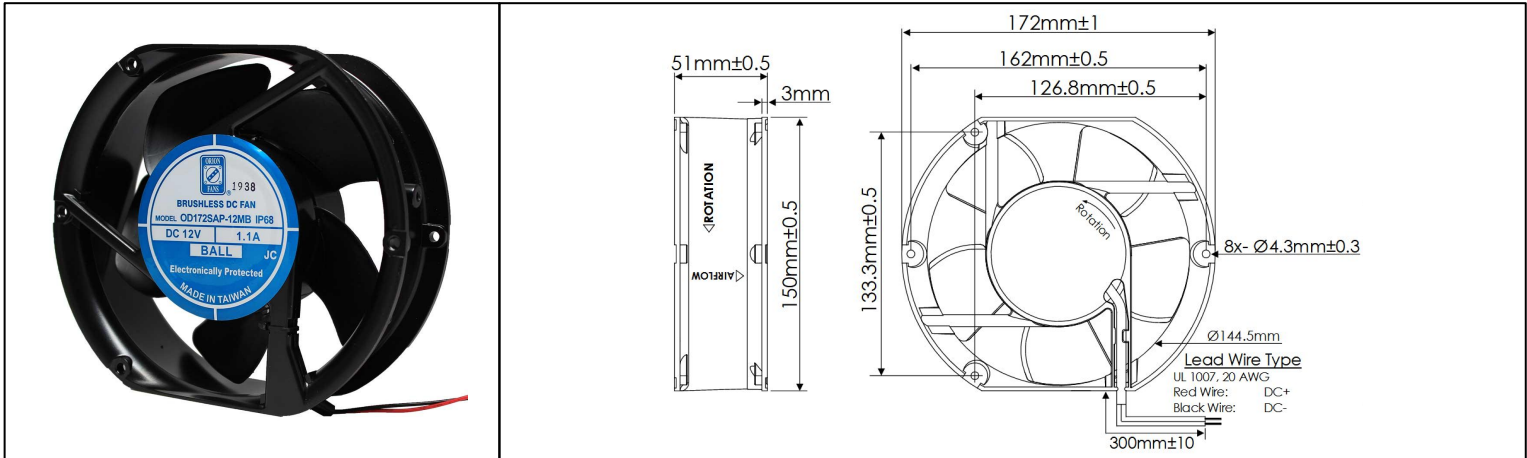


OD172SAP IP68 Series



DC Fans - 12, 24, 48V
172mm x 150mm x 51mm
(6.7" x 5.9" x 2.0")



Frame	Die Cast Aluminum, Black Finish	Operating Temperature -15°C ~ +65°C Storage Temperature -25°C ~ +80°C Life Expectancy 90,000 Hours (L10 at 35°C) Available Options Tachometer Output PWM Speed Control Input Thermal Speed Control 0-10V Speed Control Alarm Output Weight: 1.8 lbs	
Impeller	PBT, UL94 V-0 Plastic		
Connection	2x Lead Wires, 20 AWG		
Motor	Brushless DC, Auto Cutoff, Auto Restart, Polarity Protected, Electronically Protected, IP68		
Bearing System	Ball Bearings		
Dielectric Strength	500VDC/min, <1mA		
Insulation Resistance	≥10MΩ @ 500V DC		

Part Number	Rated Voltage (Volts DC)	Voltage Range (Volts DC)	Input Power (Watts)	Rated Current (Amps)	Rated Speed (RPM)	Max Airflow (CFM)	Noise Level (dBA)	Max Static Pressure (" H ₂ O)
OD172SAP-12MBIP68	12	10 ~ 13.8	13.20	1.10	2500	180	42	0.51
OD172SAP-12LBIP68	12	10 ~ 13.8	5.50	0.45	1600	125	32	0.35
OD172SAP-24HHBIP68	24	22 ~ 26.4	50.40	2.10	3900	300	57	0.98
OD172SAP-24HBIP68	24	22 ~ 26.4	24.00	0.97	3300	235	52	0.79
OD172SAP-24MBIP68	24	22 ~ 26.4	13.00	0.52	2500	180	42	0.51
OD172SAP-24LBIP68	24	22 ~ 26.4	5.00	0.20	1600	125	32	0.35
OD172SAP-48HHBIP68	48	40 ~ 52.0	49.40	1.03	3900	300	57	0.98
OD172SAP-48HBIP68	48	40 ~ 52.0	23.50	0.48	3300	235	52	0.79
OD172SAP-48MBIP68	48	40 ~ 52.0	14.50	0.30	2500	180	42	0.51
OD172SAP-48LBIP68	48	40 ~ 52.0	5.80	0.12	1600	125	32	0.35