

# LEDiL

## PRODUCT CHANGE NOTIFICATION

Date: December 23, 2021  
PCN: PCN LEDIL 180

---

Subject: PCN 180 – Update for LEDiL PCN 158-Change of design in LINNEA product family

Description: As part of our continuous improvement process regarding the quality of our products, LEDiL has decided not to proceed further with the LINNEA pin design changes stated in *PCN 158 - Change of design in LINNEA product family*.

Time line: This change is valid immediately

Changes: The only change remaining from the PCN 158 applies to LINNEA-Z2T25 which is now available with pin designs B and C. All the other LINNEA variants will continue to be available with the original pin design A.

Pin designs A and B have small parts that can support PCB side walls while pin design C does not. Please see the following page for different pin visualisations. Updated 2D drawings can be download from [here](#), and mechanical 3D models can be requested from our tech support team at [tech.support@ledil.com](mailto:tech.support@ledil.com)

### Affected products:

Product:	Pin design
F15523 LINNEA-90	A
F15524 LINNEA-60	A
F15756 LINNEA-O	A
F15861 LINNEA-ZT25	A
F15940 LINNEA-90-B	A
F15941 LINNEA-60-B	A
F15952 LINNEA-O-B	A
F16000 LINNEA-ZT25-B	A
F16048 LINNEA-UP	A
F15860 LINNEA-Z2T25	B
F15999 LINNEA-Z2T25-B	B
F18194 LINNEA-Z2T25	C
F18195 LINNEA-Z2T25-B	C

(CONTINUES ON PAGE 2)

### Contact information:

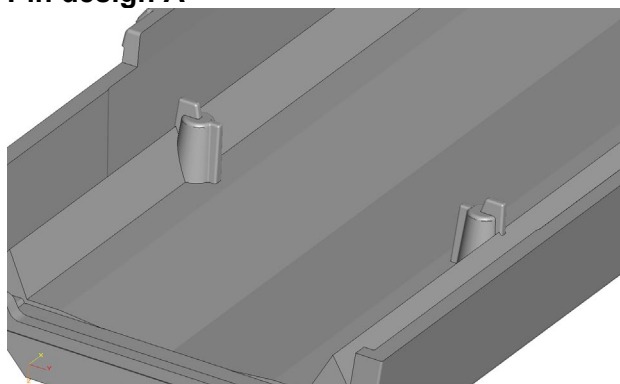
Kalle Hannila Product Manager Joensuunkatu 13 24100 SALO, FINLAND <a href="mailto:kalle.hannila@ledil.com">kalle.hannila@ledil.com</a>	Veijo Isojunno Product Manager Joensuunkatu 13 24100 SALO, FINLAND <a href="mailto:veijo.isojunno@ledil.com">veijo.isojunno@ledil.com</a>	Kirsikka Dräger Marketing Manager, Indoor Joensuunkatu 13 24100 SALO, FINLAND <a href="mailto:kirsikka.drager@ledil.com">kirsikka.drager@ledil.com</a>	Samuli Saransalmi Marketing Manager, Outdoor Joensuunkatu 13 24100 SALO, FINLAND <a href="mailto:samuli.saransalmi@ledil.com">samuli.saransalmi@ledil.com</a>
--	---	--	---

# LEDiL

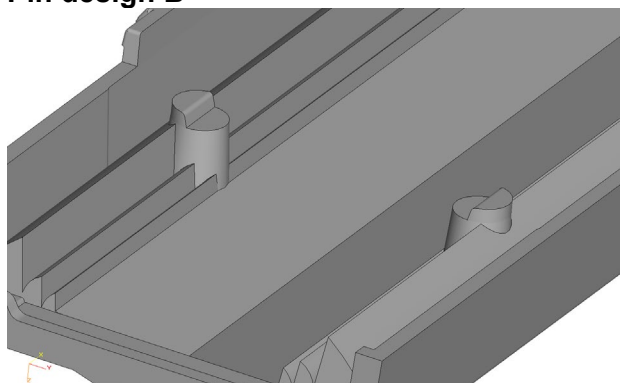
(CONTINUED FROM PAGE 1)

LINNEA pin design visualisations:

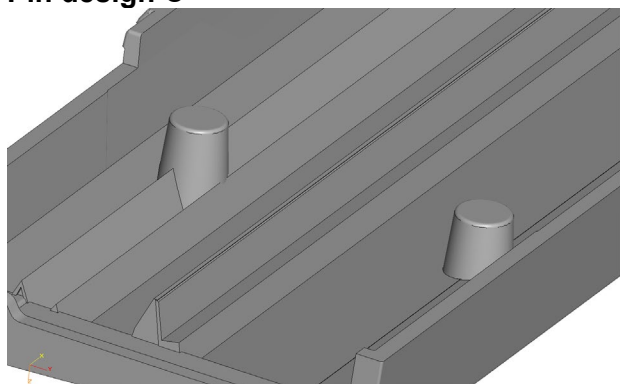
## Pin design A



## Pin design B



## Pin design C



### Contact information:

Kalle Hannila  
Product Manager  
Joensuunkatu 13  
24100 SALO, FINLAND  
[kalle.hannila@ledil.com](mailto:kalle.hannila@ledil.com)

Veijo Isojunno  
Product Manager  
Joensuunkatu 13  
24100 SALO, FINLAND  
[veijo.isojunno@ledil.com](mailto:veijo.isojunno@ledil.com)

Kirsikka Dräger  
Marketing Manager, Indoor  
Joensuunkatu 13  
24100 SALO, FINLAND  
[kirsikka.drager@ledil.com](mailto:kirsikka.drager@ledil.com)

Samuli Saransalmi  
Marketing Manager, Outdoor  
Joensuunkatu 13  
24100 SALO, FINLAND  
[samuli.saransalmi@ledil.com](mailto:samuli.saransalmi@ledil.com)