



LAYOUT SHOWN AS EXAMPLE

Keying Shown as example

CHARACTERISTICS

- Standard : Based on MIL-DTL-38999 Series III
- Shell Material : Aluminium
- Shell Plating : Black Zinc Nickel
- Insulator : Thermoplastic
- Contacts : Copper Alloy
- Seals & Grommet : Silicon Elastomer
- Contact Plating : Gold over copper Alloy 0.8µm minimum
- Durability : 500 Mating cycles
- Delivered with Souriau contacts and Accessories
- Temperature Range : -65°C to +175°C
- Salt Spray : 500 hours

| Connector dimension | |
|---------------------|-----------------|
| Dim | Nominal |
| A | 58.7±0.3 |
| B | 42.85+0.1/-0.15 |
| R | 32.5Max |
| S | 55.6±0.4 |
| W | 3+0.9/-0.1 |
| VV THREAD | M37x1-6g |

SOURIAU shall not be liable for any non-conformity or damage due to a use of the Products which does not comply with the Specifications issued by either of the Parties or by a third party (professional recommendation, technical notice.)

| | |
|---------|-----------------------------|
| Country | Jurisdiction & Control List |
| FR | Not Listed |

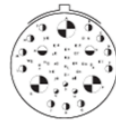
PN: 8D725Z41PB

| | | | |
|---|------------------------------------|--------------------------------|-------------------------------|
| A | 05-10-2016 | First Release | |
| ISS | DATE | Latest modification - by | MOD N° |
| Designed By: | | Date: | CUSTOMER DRAWING |
| TITLE | | Aluminium Receptacle 8D series | |
| SCALE | NA | General linear Tolerances: ±-- | NPRDS / PROJECT 859 |
| SOURIAU | | WWW.SOURIAU.COM | |
| This document is the property of SOURIAU it must not be reproduced or communicated without permission | | | |
| FORMAT | SOURIAU DRG N° 8D725Z41PB-C | | SHEET 1/2 |

| | | | | | | | | | |
|----------------|------------------------|---|---|----|---|----|---|---|---------------------------------|
| BASIC SERIES: | 8D | 7 | - | 25 | Z | 41 | P | B | ORIENTATION : B |
| SHELL TYPE : | Jam nut Receptacle | | | | | | | | CONTACT TYPE : PIN(500 Matings) |
| CONTACT TYPE : | Standard Crimp Contact | | | | | | | | CONTACT LAYOUT : 25-41 |
| SHELL SIZE : | 25 | | | | | | | | |
| PLATING : | Z = Black Zinc Nickel | | | | | | | | |

Contact Layout

41

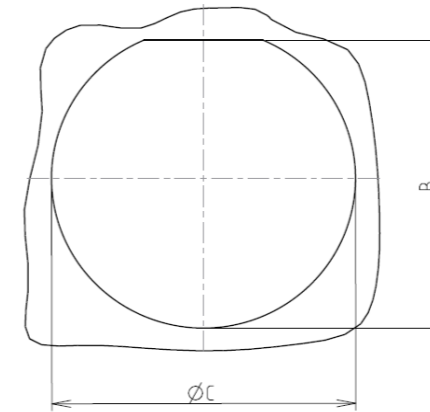


22#22D, 3#20
11#16, 2#12
3#8 Triax

| 25-41 | | | | | |
|-------|--------|--------|-----|-------|-------|
| Ctc | X | Y | Ctc | X | Y |
| A | 0 | 10.79 | Y | -5.37 | 7.92 |
| B | 7.09 | 11.34 | Z | 3.32 | 5.72 |
| C | 10.77 | 7.92 | a | 7.96 | -0.42 |
| D | 12.94 | 3.39 | b | 0 | -6.6 |
| E | 13.27 | -1.62 | c | -7.96 | -0.42 |
| F | 8.17 | -6.44 | d | -3.32 | 5.72 |
| G | 4.67 | -12.53 | e | 0 | 4.48 |
| H | 0 | -13.37 | f | 3.02 | 3.07 |
| J | -4.67 | -12.53 | g | 5.32 | 0.005 |
| K | -8.17 | -6.44 | h | 3.7 | -2.43 |
| L | -13.27 | -1.62 | i | 2.38 | -4.74 |
| M | -12.94 | 3.39 | j | -2.38 | -4.74 |
| N | -10.77 | 7.92 | k | -3.7 | -2.43 |
| P | -7.09 | 11.34 | m | -5.32 | 0.005 |
| R | 5.37 | 7.92 | n | -3.02 | 3.07 |
| S | 7.32 | 3.91 | p | 0 | 1.81 |
| T | 10.39 | 0.67 | q | 2.59 | -0.01 |
| U | 1.77 | -9.66 | r | 0 | -3.53 |
| V | -1.77 | -9.66 | s | -2.59 | -0.01 |
| W | -10.39 | 0.67 | t | 0 | -0.86 |
| X | -7.32 | 3.91 | | | |

Panel cutout

JAM NUT RECEPTACLE (TYPE 7)



| Dim | Nominal |
|-----|---------------|
| B | 43.43+0/-0.25 |
| ØC | 44.7+0.25/-0 |

SOURIAU shall not be liable for any non-conformity or damage due to a use of the Products which does not comply with the Specifications issued by either of the Parties or by a third party (professional recommendation, technical notice.)

| Country | Jurisdiction & Control List |
|---------|-----------------------------|
| FR | Not Listed |

PN: 8D725Z41PB

| | | | |
|----------------|------------------------------------|----------------------------|---|
| A | 05-10-2016 | First Release | |
| ISS | DATE | Latest modification - by | MOD N° |
| Designed By: | | Date: | CUSTOMER DRAWING |
| TITLE | Aluminium Receptacle 8D series | | |
| SCALE | | General linear Tolerances: | NPRDS / PROJECT |
| NA | | ±-- | 859 |
| SOURIAU | WWW.SOURIAU.COM | | This document is the property of SOURIAU it must not be reproduced or communicated without permission |
| FORMAT | SOURIAU DRG N° 8D725Z41PB-C | | SHEET 2/2 |