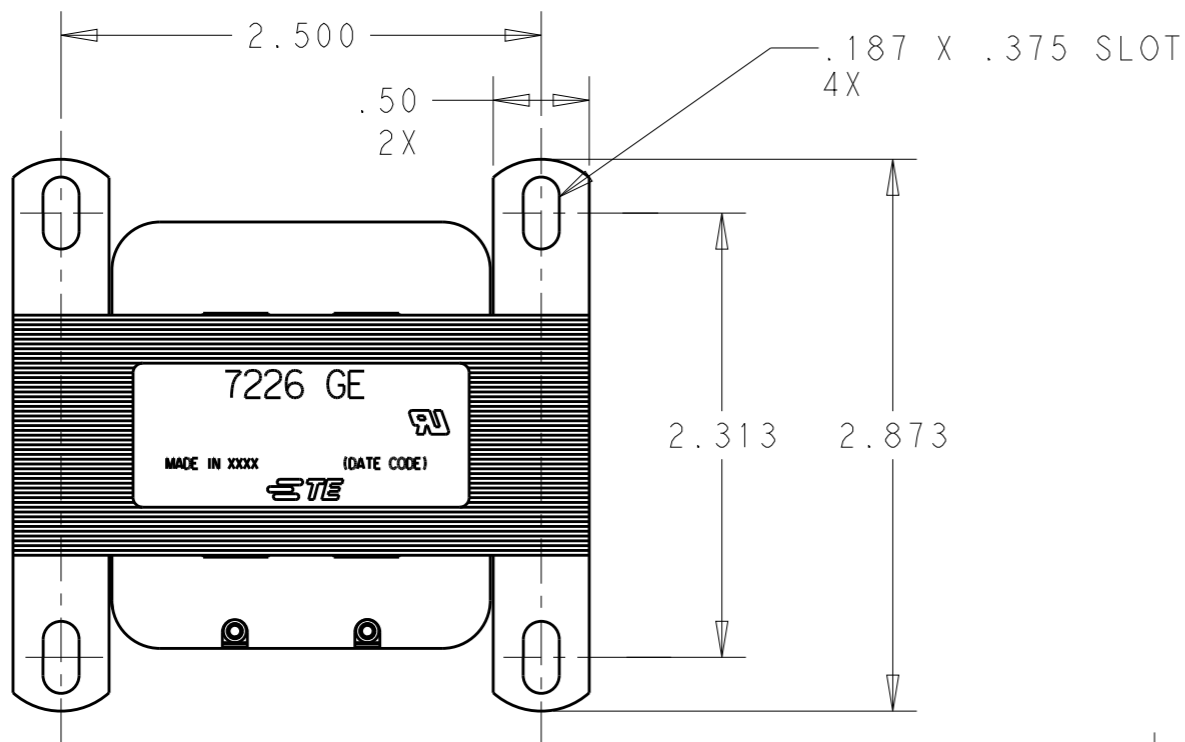


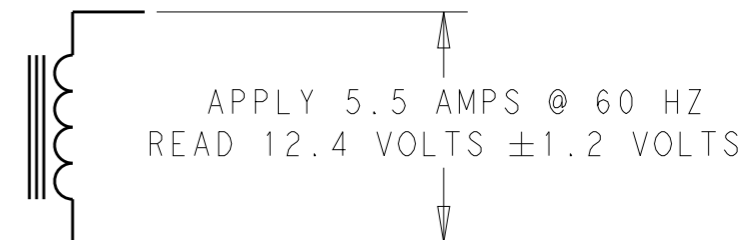
THIS DRAWING IS UNPUBLISHED. RELEASED FOR PUBLICATION 20
© COPYRIGHT 20 BY - ALL RIGHTS RESERVED.

REVISIONS

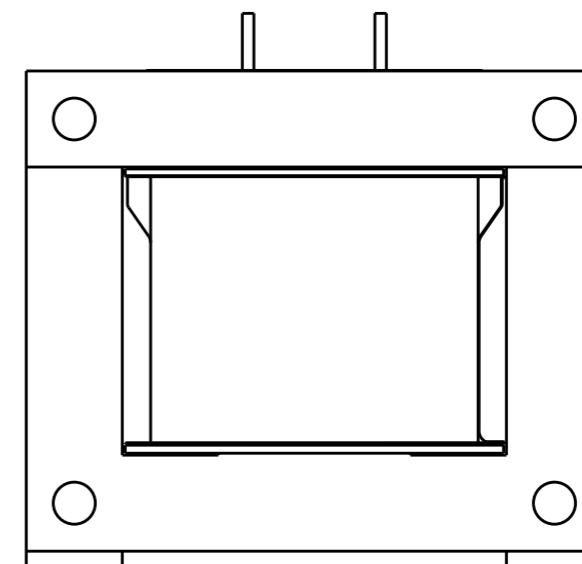
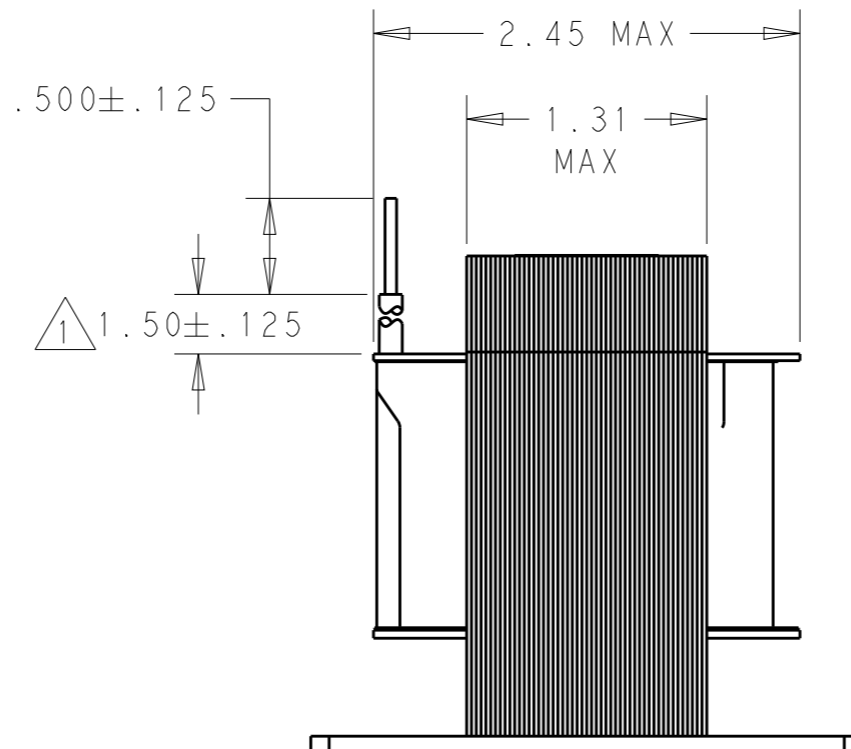
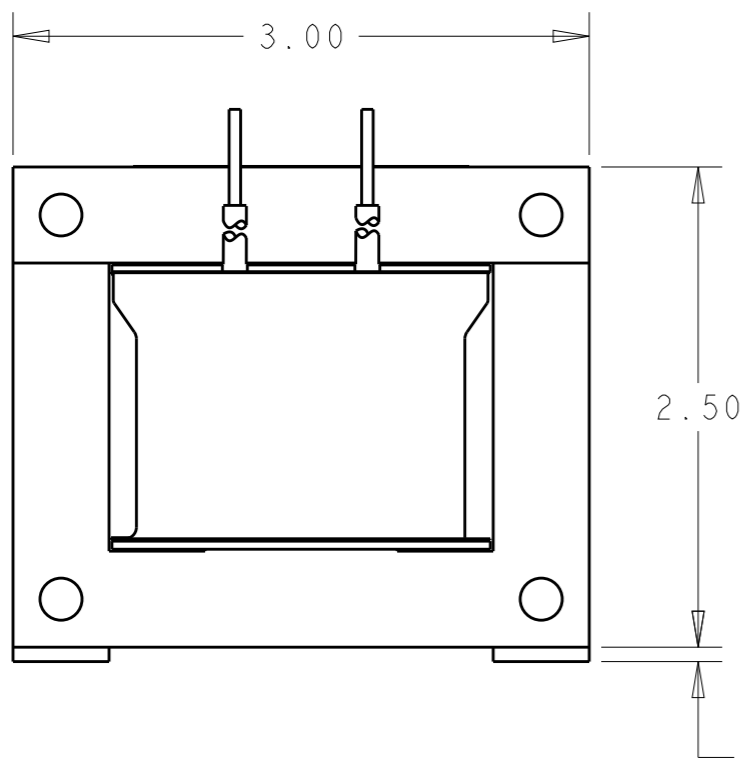
| P | LTR | DESCRIPTION | DATE | DWN | APVD |
|---|-----|---------------|-----------|-----|------|
| D | | ECR-17-011882 | 18AUG2017 | VS | DB |



1 SLEEVING PVC HT-105, BLACK OR CLEAR.
2. CERTIFICATION: UL FILE NO. E102980



SCHEMATIC



2-1611476-8
TE PART NO.

THIS DRAWING IS A CONTROLLED DOCUMENT.

| DIMENSIONS: INCHES | TOLERANCES UNLESS OTHERWISE SPECIFIED: |
|-----------------------|---|
| | 0 PLC ±- |
| | 1 PLC ±.1 |
| | 2 PLC ±.03 |
| | 3 PLC ±.015 |
| | 4 PLC ±- |
| | ANGLES ±- |
| MATERIAL | FINISH |
| - | - |
| - | - |

| | | |
|------------------|------------|-----------|
| DWN | VIC SLACK | 09DEC2013 |
| CHK | D. BLOESCH | 09DEC2013 |
| APVD | D. BLOESCH | 09DEC2013 |
| PRODUCT SPEC | - | - |
| APPLICATION SPEC | - | - |
| WEIGHT | - | - |
| Customer Drawing | | |

| | | | |
|-----------------------------|-----------|--------------|---------------|
| STE TE Connectivity | | | |
| NAME TRANSFORMER OUTLINE | | | |
| SIZE | CAGE CODE | DRAWING NO | RESTRICTED TO |
| A3 | 00779 | C-7226GE | - |
| SCALE 1:1 | | SHEET 1 OF 1 | REV D |