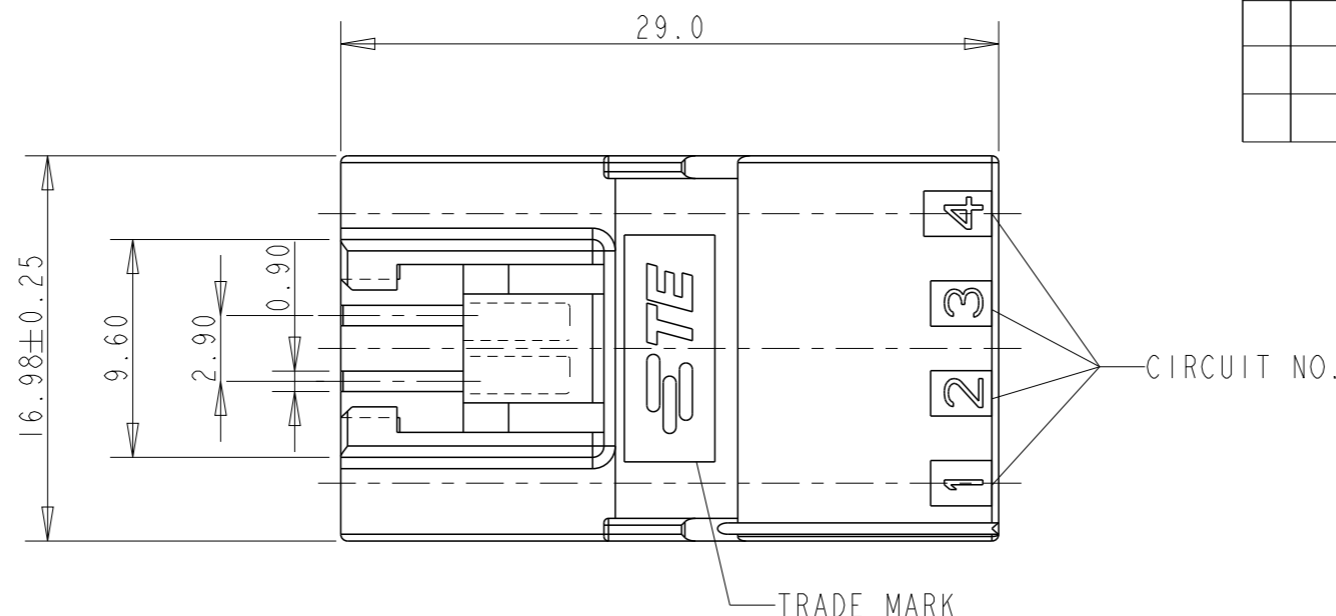
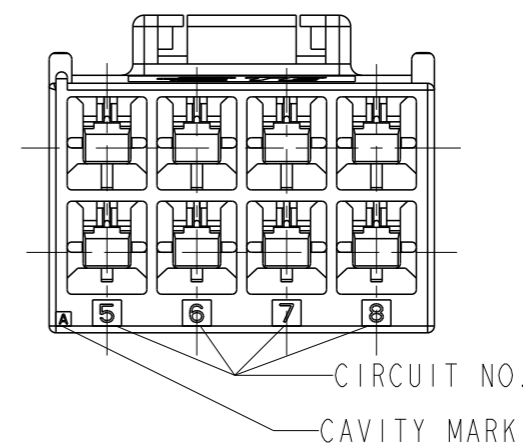
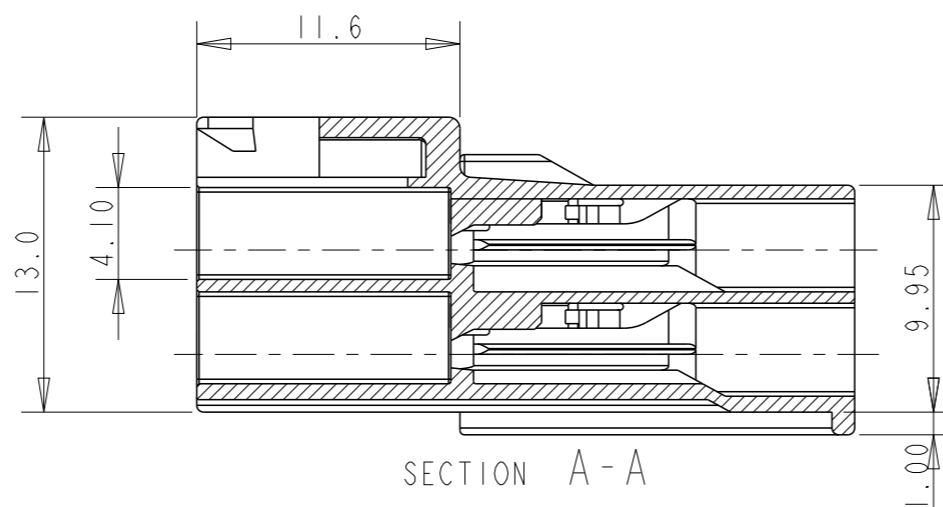
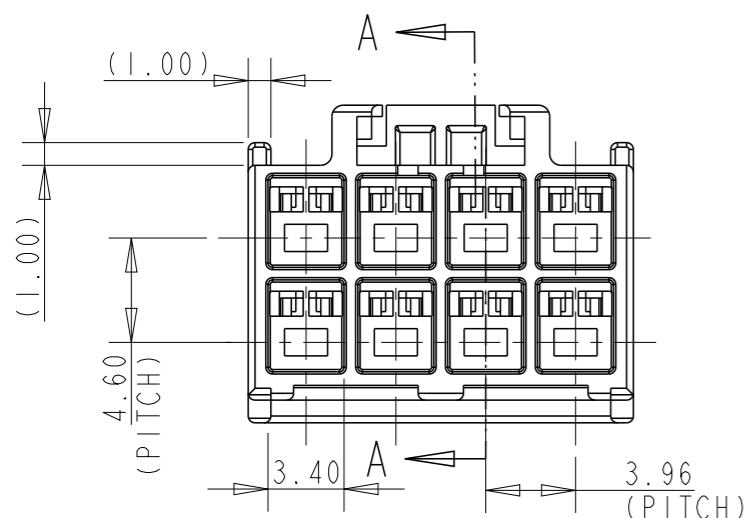


P	LTR	DESCRIPTION	DATE	DWN	APVD
	B	REVISED PER ECR-20-100642	19SEP2022	M.G	D.Z



NOTES:

- APPLICABLE CONTACT P/N:
 TAB CONTACT: 175150-□ (20-16 AWG)
 175149-□ (26-22 AWG)
- MATING CONN. P/N:
 PLUG HSG: 176275-□
 REC CONTACT: 175152-□ (20-16 AWG)
 175151-□ (26-22 AWG)
- INSTRUCTION SHEET: IS-503J.



DISCONTINUED	HOUSING COLOR	POSITION	PART NUMBER
	BLACK	8	176286-9
	BLUE	8	176286-6
	YELLOW	8	176286-4
	RED	8	176286-2
	NATURAL	8	176286-1

THIS DRAWING IS A CONTROLLED DOCUMENT.		DWN M. SHINDO 23NOV1989	TE Connectivity	
DIMENSIONS: mm		CHK M. YOSHIDA 28NOV1989		
TOLERANCES UNLESS OTHERWISE SPECIFIED:		APVD N. ONOUE 28NOV1989	NAME CAP HOUSING, 3.96MM PITCH 8 POS AMP UNIVERSAL POWER CONN.	
0 PLC ±- 1 PLC ±0.25 2 PLC ±0.20 3 PLC ±- 4 PLC ±- ANGLES ±3°		PRODUCT SPEC 108-5302	SIZE A3	
MATERIAL 6/6 NYLON (UL94 V-0)		APPLICATION SPEC 114-5142	CAGE CODE 00779	DRAWING NO C-176286
FINISH -		WEIGHT -	RESTRICTED TO -	
CUSTOMER DRAWING			SCALE 3:1	SHEET 1 OF 1
			REV B	