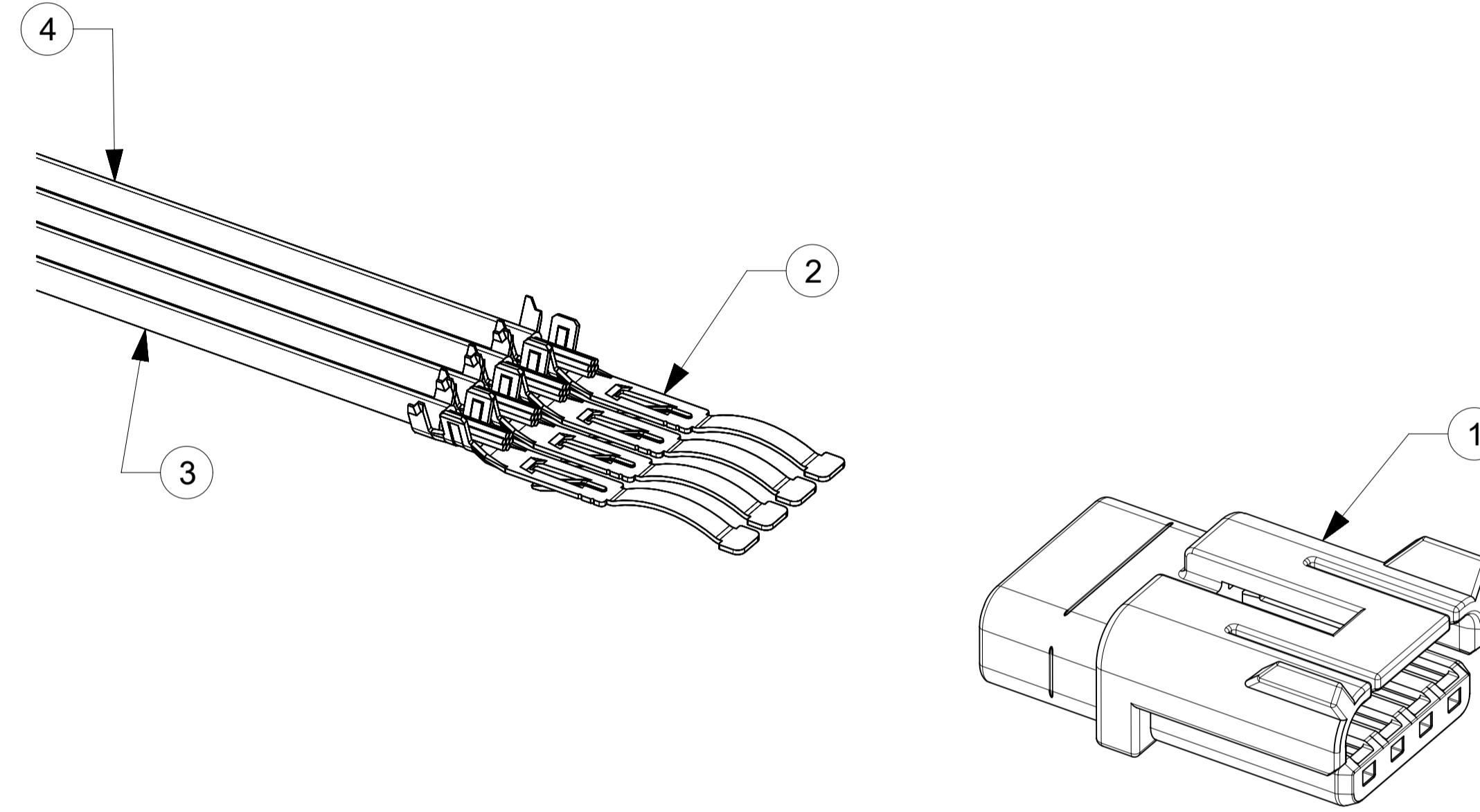
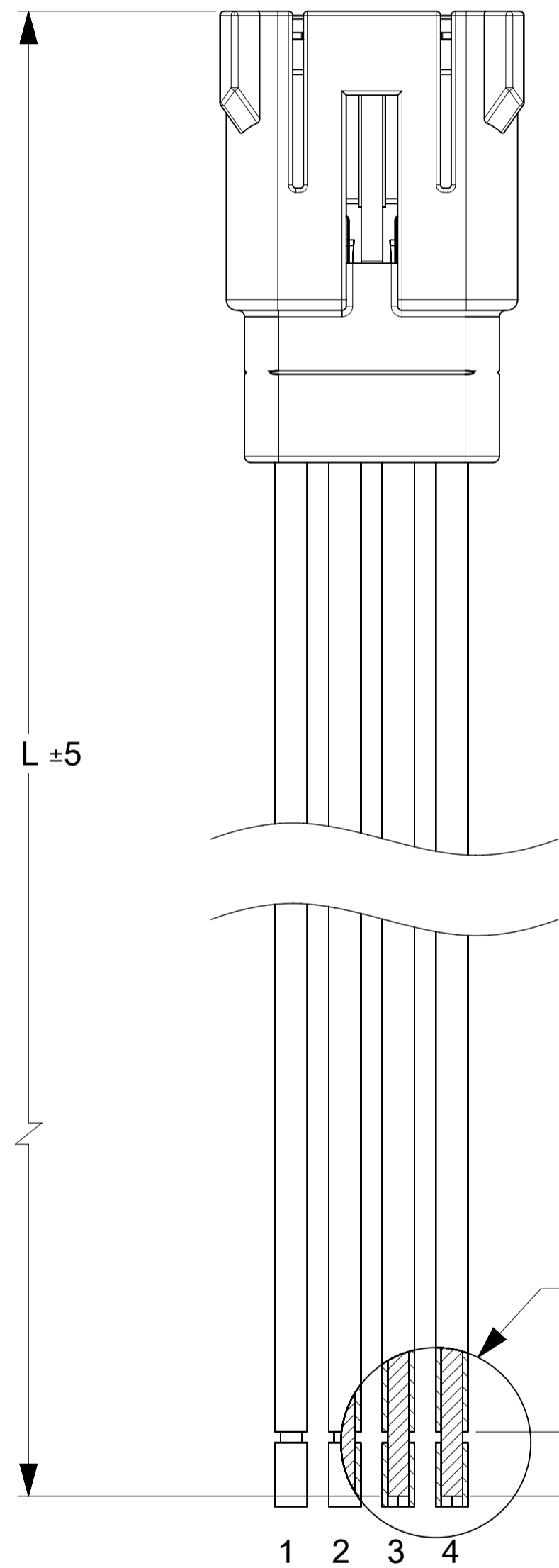


1502070007

CKT NO	WIRE COLOR
1	BLACK
2,3,4,5,6,7&8	WHITE



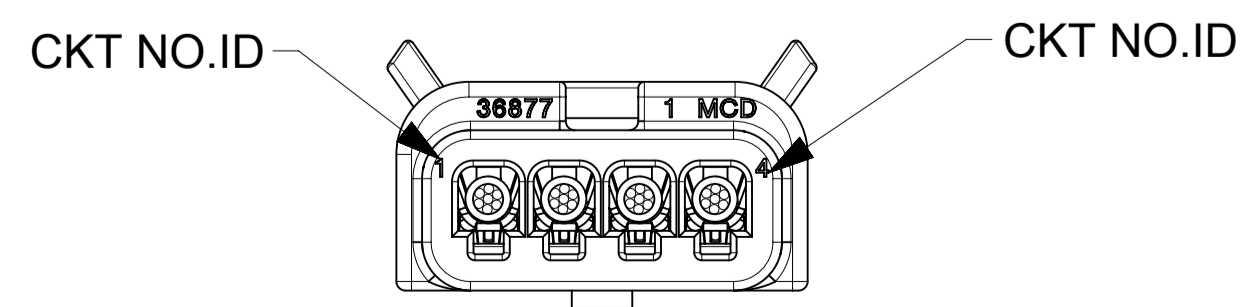
THIS VIEW IS ONLY FOR REPRESENTATION

NOTE:
FOR CRIMP SPECIFICATION AND STRIP LENGTH DETAILS, REFER APPLICATION TOOLING SPECIFICATION SHEET.DOCUMENT NO. ATS-639030200.

CUTAWAY 1
3 ±0.50
STRIP AND RETAIN.

BOM SHOWN FOR 4 CKT

4	UL1061, 20 AWG TINNED COPPER WIRE, BLACK	150206-0002	BLACK	1
3	UL1061, 20 AWG TINNED COPPER WIRE, WHITE	150206-0001	WHITE	3
2	DITTO GENDERLESS CRP TER HSM Cu 20-22AWG	36876-0001	NA	4
1	DITTO GENDERLESS WTW HSG FRIC LOCK 1X4	36877-0004	NA	1
ITEM NO	DESCRIPTION	PART NO	COLOR	QTY



THIS DRAWING CONTAINS INFORMATION THAT IS PROPRIETARY TO MOLEX ELECTRONIC TECHNOLOGIES, LLC AND SHOULD NOT BE USED WITHOUT WRITTEN PERMISSION

DIMENSION UNITS MM	SCALE 4:1	CURRENT REV DESC: REMOVED OBSOLETE PART NUMBERS AS PER PCN#513573.	molex		
GENERAL TOLERANCES (UNLESS SPECIFIED)					
4 PLACES ±	±	EC NO: 747313	DITTO SINGLE-ENDED HARNESS ASSY, 2 TO 8 CKT WITH 150206 SERIES WIRE		
3 PLACES ±	±	DRWN: LIKITV 2023/04/25	PRODUCT CUSTOMER DRAWING		
2 PLACES ±	±	CHK'D: GGA 2023/04/26	DOCUMENT NUMBER		
1 PLACE ±	±	APPR: GGA 2023/04/26	DOC TYPE DOC PART REVISION		
0 PLACES ±	±	INITIAL REVISION:	SD-150207-0001 PSD 001 B1		
ANGULAR TOL ± °	± °	DRWN: GES 2015/02/03	MATERIAL NUMBER		
		APPR: KPRASAD 2015/02/23	CUSTOMER		
DRAFT WHERE APPLICABLE MUST REMAIN WITHIN DIMENSIONS	THIRD ANGLE PROJECTION	DRAWING	SHEET NUMBER		
		A1-SIZE	150207 1502070007 GENERAL MARKET 1 OF 2		

MOLEX P/N	FCT P/N	MATERIAL DESCRIPTION	HOUSING	TERMINAL	WIRE 1 BLACK (B)	WIRE 2 WHITE (W)	LENGTH L (mm)	CKT NO.								WIRE CUT LENGTH	
								1	2	3	4	5	6	7	8		
1502070007	KAB2295L0.3V01	FCT DITTO SG/END HARNESS ORG 8 CKT 300mm	36877-0008	36876 -0001	150206 -0002	150206 -0001	300	B	W	W	W	W	W	W	W	W	284±2

THIS DRAWING CONTAINS INFORMATION THAT IS PROPRIETARY TO MOLEX ELECTRONIC TECHNOLOGIES, LLC AND SHOULD NOT BE USED WITHOUT WRITTEN PERMISSION												
DIMENSION UNITS MM		SCALE 1:1		CURRENT REV DESC: REMOVED OBSOLETE PART NUMBERS AS PER PCN#513573.				molex				
GENERAL TOLERANCES (UNLESS SPECIFIED)				EC NO: 747313 DRWN: LIKITV 2023/04/25 CHK'D: GGA 2023/04/26 APPR: GGA 2023/04/26								DITTO SINGLE-ENDED HARNESS ASSY, 2 TO 8 CKT WITH 150206 SERIES WIRE
		MM	INCH					PRODUCT CUSTOMER DRAWING				
4 PLACES	±		±	INITIAL REVISION: DRWN: GES 2015/02/03 APPR: KPRASAD 2015/02/23				DOCUMENT NUMBER		DOC TYPE	DOC PART	REVISION
3 PLACES	±		±					SD-150207-0001		PSD	001	B1
2 PLACES	±		±	DRAFT WHERE APPLICABLE MUST REMAIN WITHIN DIMENSIONS				MATERIAL NUMBER		CUSTOMER		SHEET NUMBER
1 PLACE	±		±					A1-SIZE 150207		1502070007		GENERAL MARKET
0 PLACES	±		±	THIRD ANGLE PROJECTION		SERIES						
ANGULAR TOL	± °			DRAWING		CUSTOMER						

DOCUMENT STATUS	P1	RELEASE DATE	2023/04/26 06:51:25
-----------------	----	--------------	---------------------