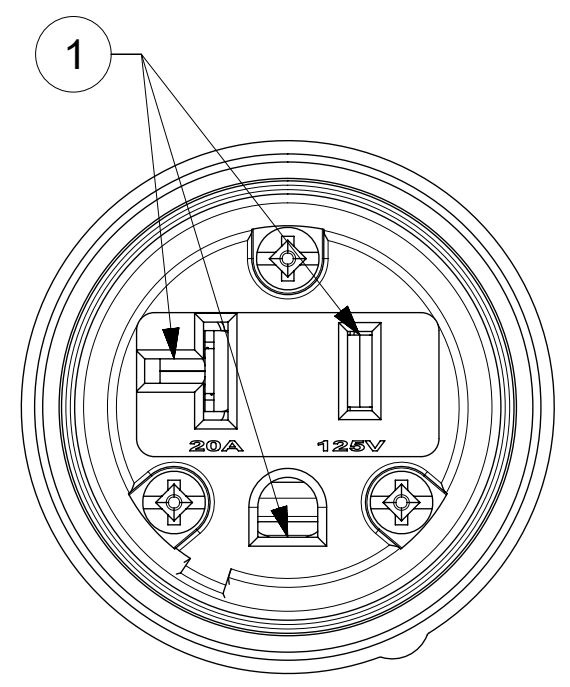
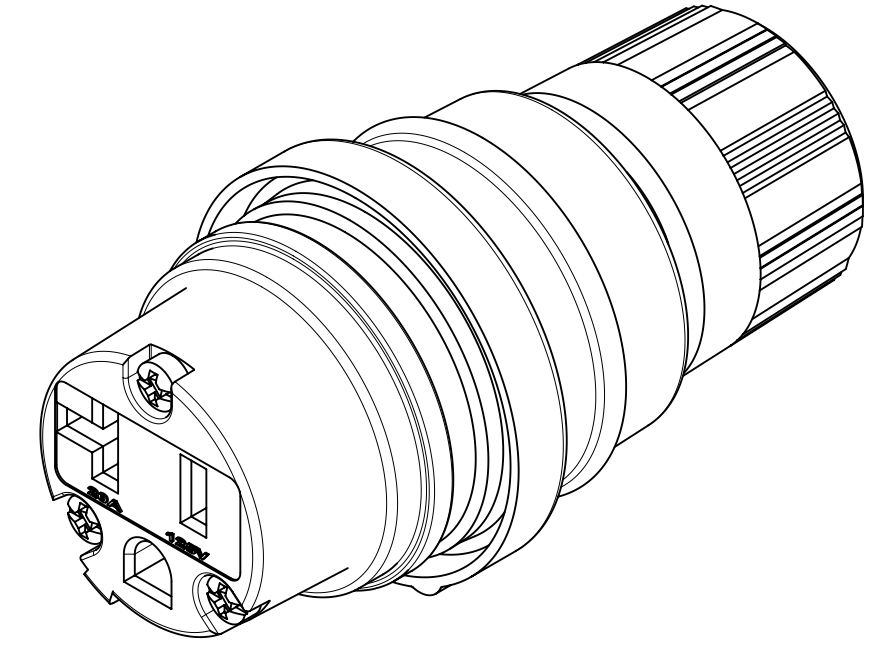
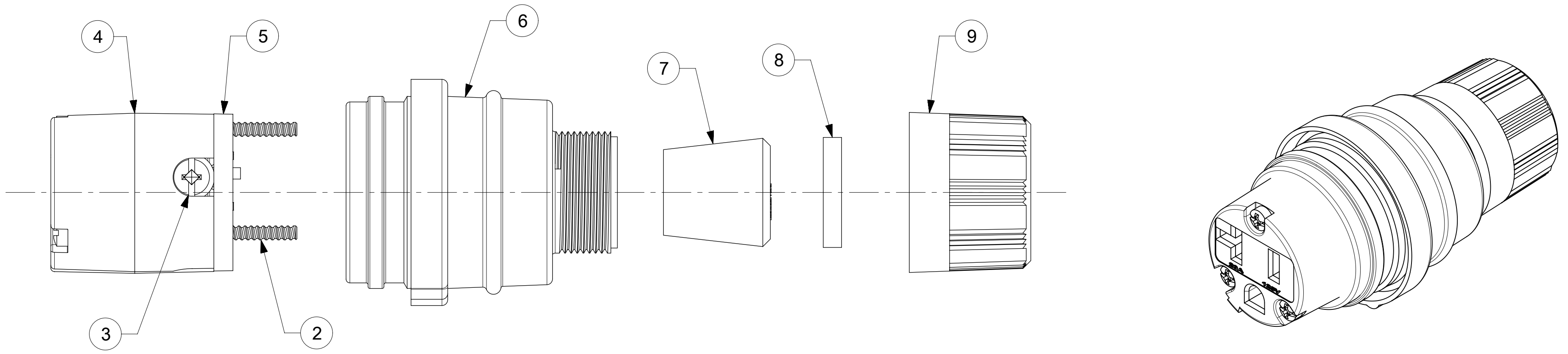
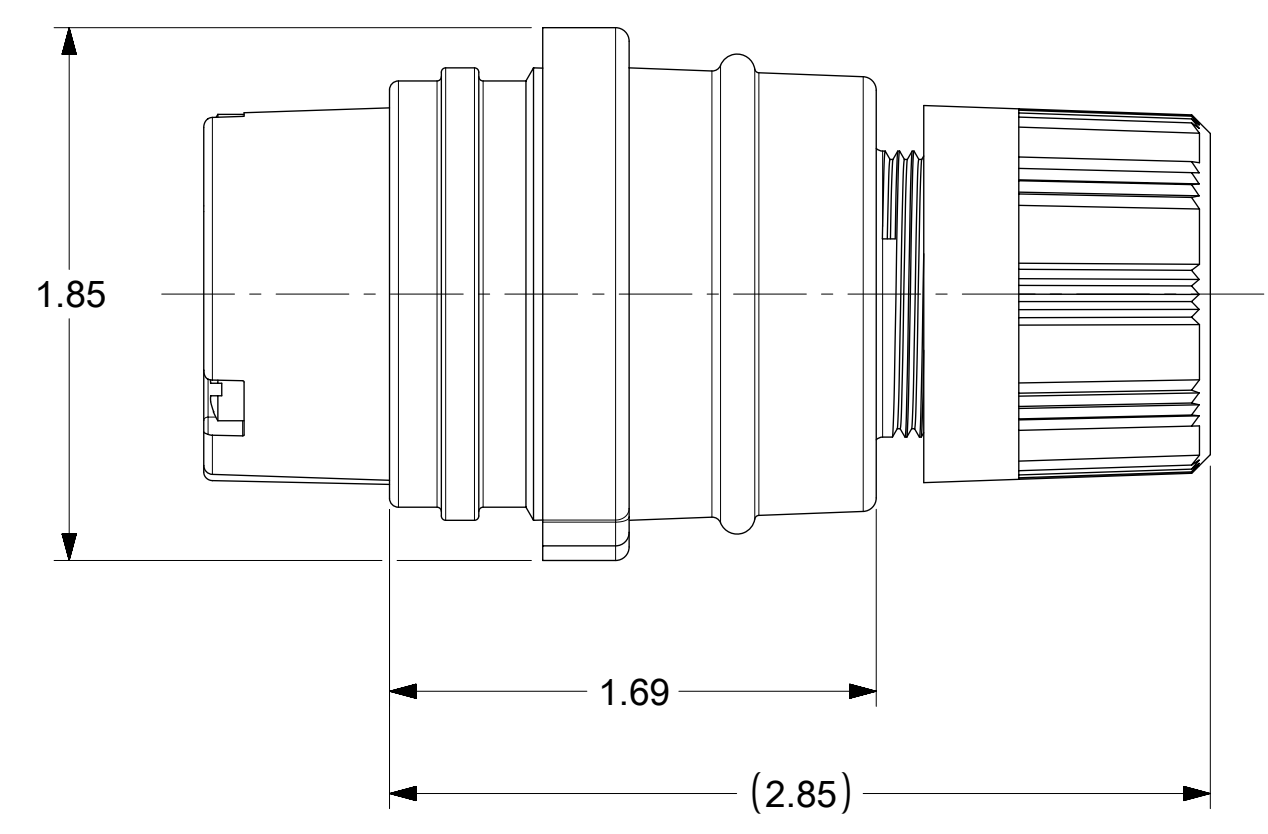


ORDER NO.	WOODHEAD NO.	COLOR
130146-0195	15W33MB-P	YELLOW



FACE VIEW



- NOTES:**
- SEE INSTRUCTION SHEET NUMBER 1301414770 FOR PRODUCT SPECIFICATION.
 - CABLE RANGE FROM 0.375" TO 0.625"

ITEM NO.	DESCRIPTIONS	MATERIAL	QTY.
1	BLADES	BRASS	3
2	RETAINING SCREWS	STAINLESS STEEL	3
3	TERMINAL SCREWS	BRASS, ZINC PLATED	3
4	INSERT	NYLON	1
5	TERMINAL COVER	POLYCARBONATE	1
6	HOUSING	RUBBER WITH NYLON THREAD	1
7	GROMMETS	RUBBER	5
8	FRICTION RING	NYLON	1
9	COMPRESSION NUT	NYLON	1

SYMBOLS		THIS DRAWING CONTAINS INFORMATION THAT IS PROPRIETARY TO MOLEX ELECTRONIC TECHNOLOGIES, LLC AND SHOULD NOT BE USED WITHOUT WRITTEN PERMISSION		CURRENT REV DESC: RELEASED		molex	
▽ = 0	INCH	SCALE	NTS	GENERAL TOLERANCES (UNLESS SPECIFIED)			
▽ = 0	4 PLACES	ANGULAR TOL	± 0.5°	EC NO: 613681		PRODUCT CUSTOMER DRAWING	
▽ = 0	3 PLACES	± 0.005		DRWN: ABABU01 2018/11/13		DOCUMENT NUMBER	
▽ = 0	2 PLACES	± 0.01		CHK'D: DNGUYEN62 2019/03/13		DOC TYPE	
▽ = 0	1 PLACE	± 0.02		APPR: HKNEELAND 2019/03/21		DOC PART	
▽ = 0	0 PLACES	±		INITIAL REVISION:		REVISION	
▽ = 0				DRWN: ABABU01 2018/11/13		1301460195	
▽ = 0				APPR: HKNEELAND 2019/03/21		PSD 000 A	
▽ = 0	DRAFT WHERE APPLICABLE MUST REMAIN WITHIN DIMENSIONS	THIRD ANGLE PROJECTION	DRAWING	SERIES	MATERIAL NUMBER	CUSTOMER	SHEET NUMBER
▽ = 0			C-SIZE	130146	SEE TABLE	GENERAL MARKET	1 OF 1