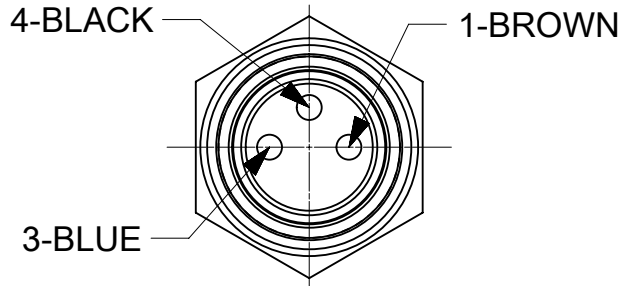
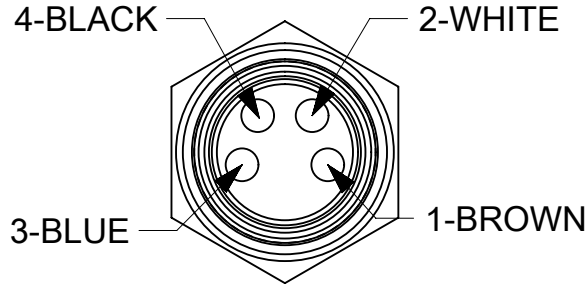


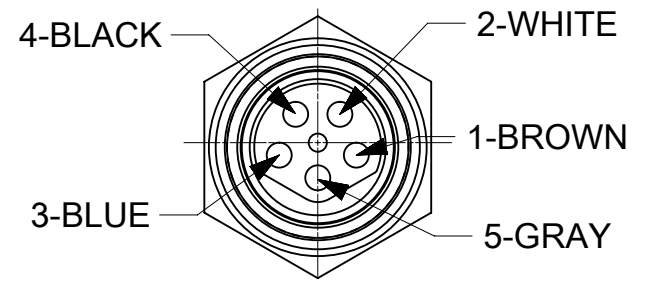
M8 3POLE MALE



M8 4POLE MALE



M8 5POLE MALE

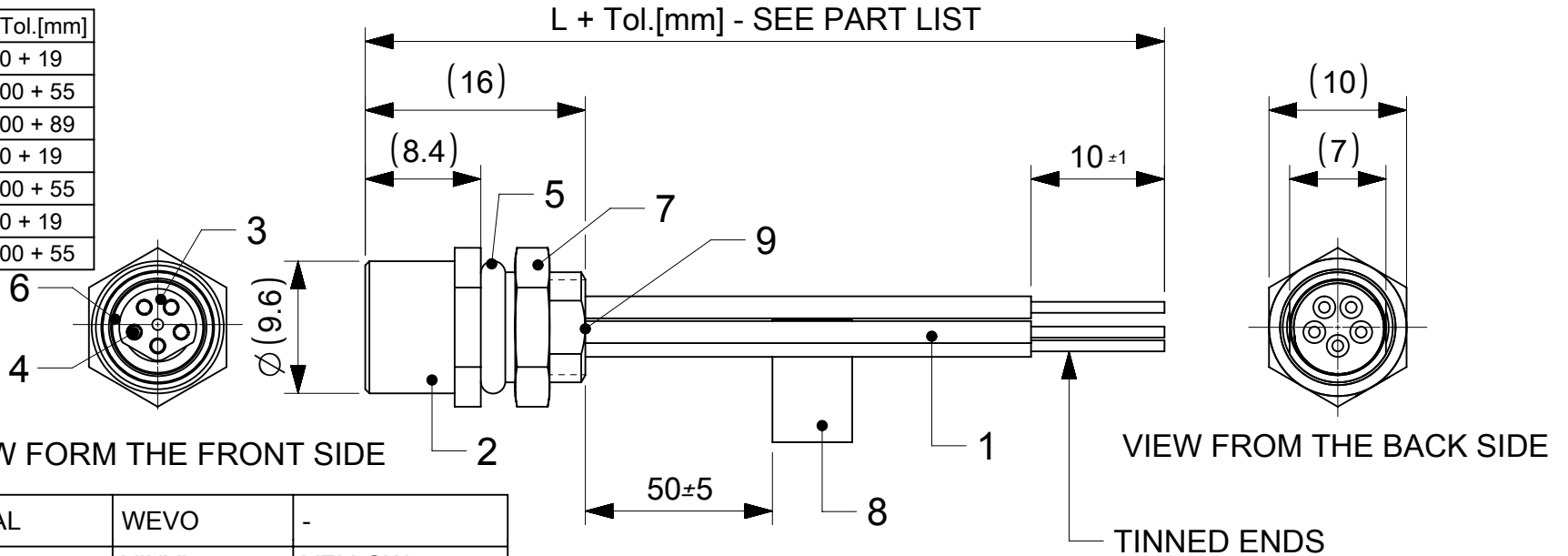


VIEWS FROM THE FRONT SIDE

PART LIST

MOLEX PN	ENGINEERING PN	L+Tol.[mm]
1200900016	4R3P00A27C300	300 + 19
1200900018	4R3P00A27M010	1000 + 55
1200900019	4R3P00A27M020	2000 + 89
1200900029	4R4P00A27C300	300 + 19
1200900031	4R4P00A27M010	1000 + 55
1200900037	4R5P00A27C300	300 + 19
1200900076	4R5P00A27M010	1000 + 55

L + Tol.[mm] - SEE PART LIST



VIEW FORM THE FRONT SIDE

VIEW FROM THE BACK SIDE

TINNED ENDS

BOM

9	-	POTTING MATERIAL	WEVO	-
8	1	LABEL	VINYL	YELLOW
7	1	LOCKNUT M8X0.5	BRASS	NICKEL PLATED
6	1	GASKET	FKM	RED
5	1	O-RING	NBR	BLACK
4	3/4/5	CONTACT 10 FE	BRONZE	GOLD OVER NICKEL PLATED
3	1	INSERT M8 FE XP	ELASTOLLAN	BLACK
2	1	REC SHELL M8(FE)XM8(M)	BRASS	NICKEL PLATED
1	-	WIRES;24AWG;OD=1.43mm	PVC	-
ITEM	QTY	DESCRIPTION	MATERIAL	FINISH/COLOR

SYMBOLS		THIS DRAWING CONTAINS INFORMATION THAT IS PROPRIETARY TO MOLEX ELECTRONIC TECHNOLOGIES, LLC AND SHOULD NOT BE USED WITHOUT WRITTEN PERMISSION	
▽ = 0	mm	DIMENSION UNITS	SCALE
▽ = 0	2:1		
▽ = 0	GENERAL TOLERANCES (UNLESS SPECIFIED)		
▽ = 0	ANGULAR TOL ± 1.0°		
▽ = 0	4 PLACES ±	CURRENT REV DESC:	
▽ = 0	3 PLACES ±	EC NO: 605345	
▽ = 0	2 PLACES ± 0.05	DRWN: MKOWALCZYK01 2018/10/02	
▽ = 0	1 PLACE ± 0.3	CHK'D: MIWASIECZKO 2018/10/03	
▽ = 0	0 PLACES ± 0.5	APPR: MIWASIECZKO 2018/10/03	
▽ = 0	INITIAL REVISION:		
▽ = 0	DRWN: MKOWALCZYK01 2018/10/02		
▽ = 0	APPR: MIWASIECZKO 2018/10/03		
▽ = 0	DRAFT WHERE APPLICABLE MUST REMAIN WITHIN DIMENSIONS		THIRD ANGLE PROJECTION
▽ = 0	A4-SIZE		SHEET NUMBER
DOCUMENT STATUS		120090	1 OF 1

molex

NC XP F/FR XM M8 X 0.5

PRODUCT CUSTOMER DRAWING

DOCUMENT NUMBER: 1200908076

DOC TYPE: PSD

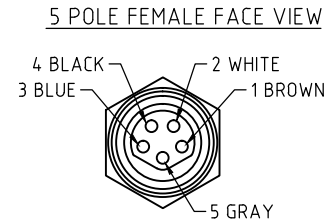
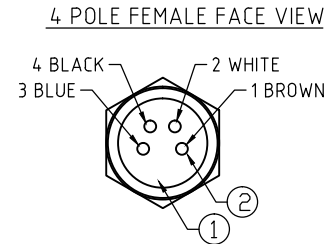
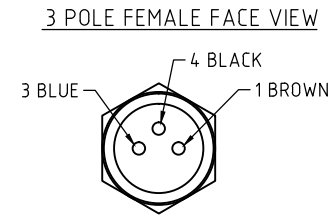
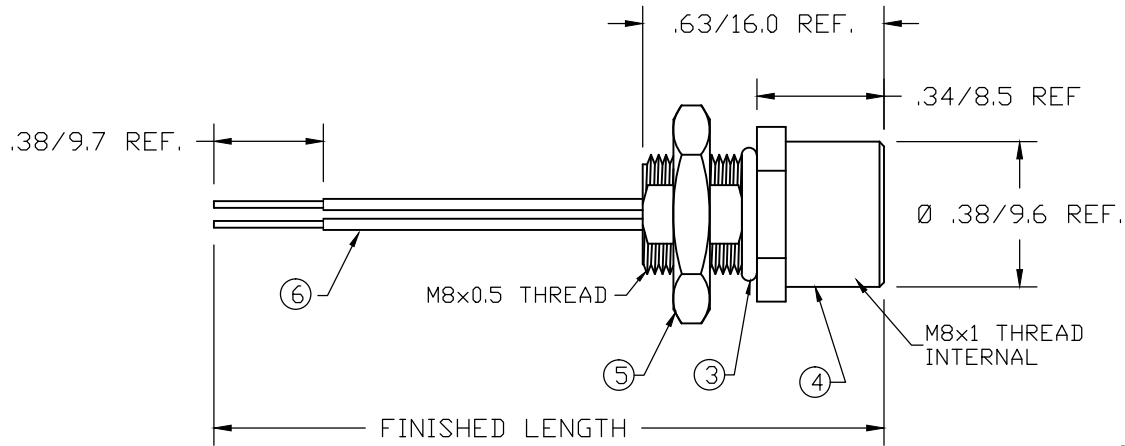
DOC PART: 000

REVISION: A

MATERIAL NUMBER: SEE PART LIST

CUSTOMER: GENERAL MARKET

MATERIAL NUMBER	OLD PART NUMBER	FINISHED LENGTH
120090-0016	4R3P00A27C300	11.81" +.75" -0 [1.3M +19.1 -0]
120090-0018	4R3P00A27M010	3.28' +2.19" -0 [1.0M +55.6 -0]
120090-0029	4R4P00A27C300	11.81" +.75" -0 [1.3M +19.1 -0]
120090-0031	4R4P00A27M010	3.28' +2.19" -0 [1.0M +55.6 -0]
120090-0037	4R5P00A27C300	11.81" +.75" -0 [1.3M +19.1 -0]



VOLTAGE RATING FOR 3 AND 4 POLE	60 VAC/ 75 VDC
VOLTAGE RATING FOR 5 POLE	30 VAC/VDC
AMPERAGE RATING FOR 3 AND 4 POLE	3 AMPS
AMPERAGE RATING FOR 5 POLE	3 AMPS
PROTECTION	IP67
OPERATING TEMPERATURE	-20°C TO 105°C
UL CERTIFICATIONS	UL LISTED, FILE NO. E152210
CSA CERTIFICATIONS	CSA CERTIFIED, FILE NO. LR6837

ITEM	COMPONENT	MATERIAL	FINISH
1	INSERT	POLYURETHANE	BLACK
2	CONTACT PIN	COPPER ALLOY	GOLD OVER NICKEL BLACK
3	O-RING	NITRILE	BLACK
4	RECEPTACLE SHELL	BRASS	NICKEL PLATED
5	LOCKNUT	BRASS	NICKEL PLATED
6	CONDUCTOR- 24 AWG, (.22mm) COPPER STRANDING) 3 CONDUCTOR	PVC	SEE WIRING DIAGRAM

RLSD DRAWING	11/10/11
EC NO: WEU2012-0155	
DRWN: VOU	
CHKD: KJOZMIK	
APPR: JFMURPHY	2009/08/28
REV	

QUALITY SYMBOLS
▽=0
▽C=0

	GENERAL TOLERANCES (UNLESS SPECIFIED)	
	mm	INCH
4 PLACES	±--	±---
3 PLACES	±--	±.005
2 PLACES	±.15	±.01
1 PLACE	±0.3	±.020
ANGULAR ±1/2°		
DRAFT WHERE APPLICABLE MUST REMAIN WITHIN DIMENSIONS		

DIMENSION STYLE	
IN/MM	
DRAWN BY	DATE
BW	2009/08/26
CHECKED BY	DATE
LH	2009/08/26
APPROVED BY	DATE
JFMURPHY	2009/08/28
MATERIAL NO.	
SEE CHART	
SIZE	
A	

SCALE	DESIGN UNITS	THIRD ANGLE PROJECTION
2:1	METRIC	☉
TITLE		
M8 FEMALE RECEPTACLE 3-5P M8X0.5 MOUNTING THD ----		
Molex MOLEX INCORPORATED		
MATERIAL NO.	DOCUMENT NO.	SHEET NO.
	SD-120090-009	1 OF 1
THIS DRAWING CONTAINS INFORMATION THAT IS PROPRIETARY TO MOLEX INCORPORATED AND SHOULD NOT BE USED WITHOUT WRITTEN PERMISSION		