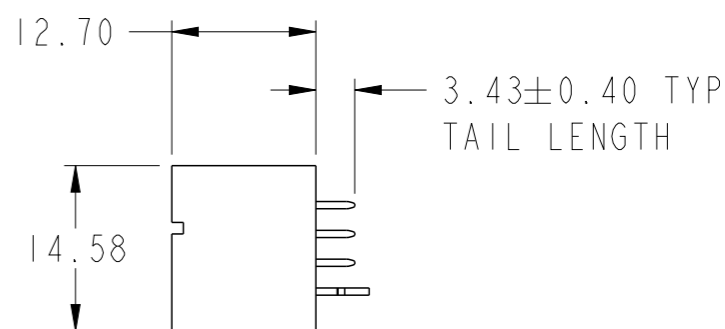
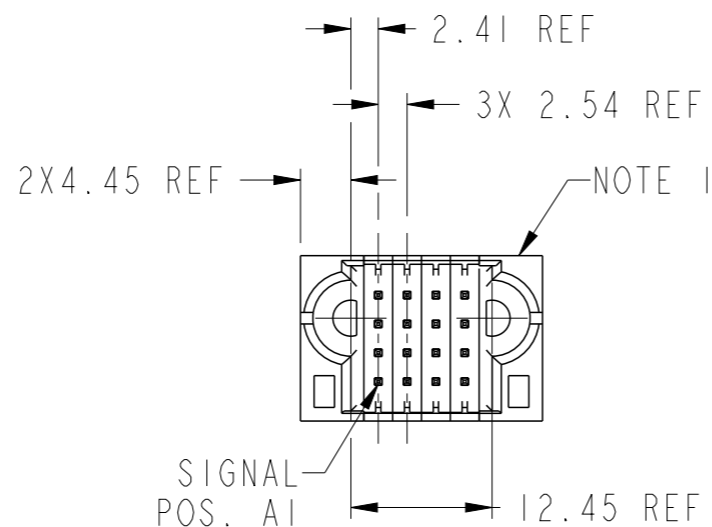
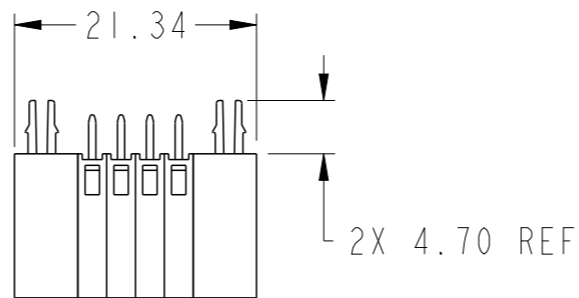
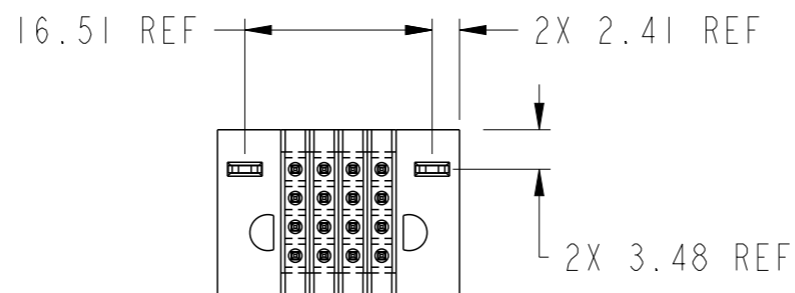


PART NUMBER SEE SHEET 2



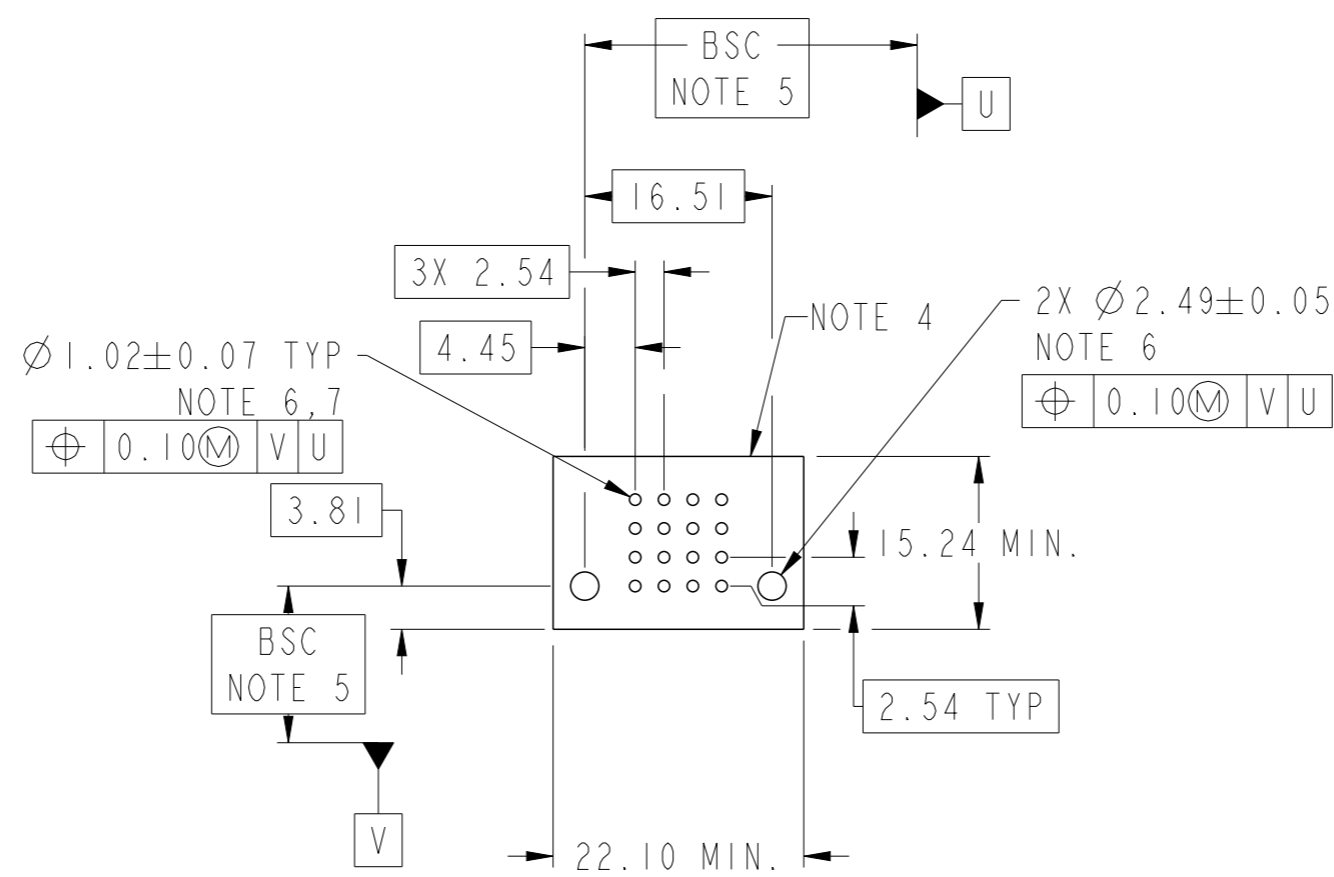
spec ref	*	dr	Peng-Bing Fu	2013/01/30	projection	MM	size	A3	scale	3:2
tolerance std	ASME Y14.5	eng	Peng-Bing Fu	2013/05/08			ecn no	-	rel level	Released
TOLERANCES UNLESS OTHERWISE SPECIFIED		chr	-	-			product family	PwrBlade+		
surface	linear	0.X	±0.5		title 16S VERTICAL STB HEADER	dwg no 10106267-0004001	rev A			
		0.XX	±0.25							
		0.XXX	±0.10							
ASME Y14.5	angular	0°	±2°	www.fci.com	cat. no.	Product - Customer Drw	sheet 1 of 3			



Copyright FCI.

PRODUCT NO.	ROWS	SIGNAL				
		E1	1	2	3	4
10106267-0004001LF	DCBA					

CODE	DESCRIPTION
E	STD SIGNAL CONTACT
HA	METAL HOLD DOWN



Copyright FCI.

dr	Peng-Bing Fu	2013/01/30	projection	MM	size	A3	scale	3:2	
eng	Peng-Bing Fu	2013/05/08		← →	ecn no	-	rel level	Released	
chr	-	-							
appr	Pei-Ming Zheng	2013/05/08	product family	PwrBlade+					
		title	16S		dwg no	10106267-0004001		rev	A
www.fci.com		cat. no.	Product - Customer Drw		sheet 2 of 3				

NOTES:

- 1) "FCI", PART NUMBER AND DATE CODE TO BE MARKED ON THIS SURFACE.
THE MARK CAN BE OMITTED IF THERE IS NOT ENOUGH SPACE ON THIS SURFACE.
- 2) MATERIALS:
-HOUSING - GLASS FILLED WITH HIGH TEMP THERMOPLASTIC, UL94V-0.
-SIGNAL CONTACT - COPPER ALLOY.
-POWER CONTACT - HIGH CONDUCTIVITY COPPER ALLOY.
- 3) PLATING SPECIFICATION REFER TO FCI 10116351
- 4) DENOTES CONNECTOR KEEP OUT ZONE.
- 5) DATUM AND BASIC DIMENIONS WERE ESTABLISHED BY CUSTOMER.
- 6) ALL HOLE DIAMETERS ARE FINISHED HOLE SIZES.
- 7) 1.15±0.025MM DRILLED HOLE PLATED WITH 0.00762MM MIN Sn
OVER 0.0254-0.0762MM Cu PLATING TO ACHIEVE A 1.02±0.07MM HOLE.
- 8) PRODUCT SPECIFICATION REFER TO FCI GS-12-658.
APPLICATION SPECIFICATION REFER TO FCI GS-20-141.
PRODUCT PACKAGED IN TRAYS, REFER TO FCI GS-14-1502.



Copyright FCI.

dr	Peng-Bing Fu	2013/01/30	projection 	MM ←→	size	A3	scale	3:2	
eng	Peng-Bing Fu	2013/05/08			ecn no	-			
chr	-	-	product family	PwrBlade+	rel level	Released			
appr	Pei-Ming Zheng	2013/05/08			title	16S		rev	A
www.fci.com			cat. no.	Product - Customer Drw		dwg no	10106267-0004001		sheet 3 of 3