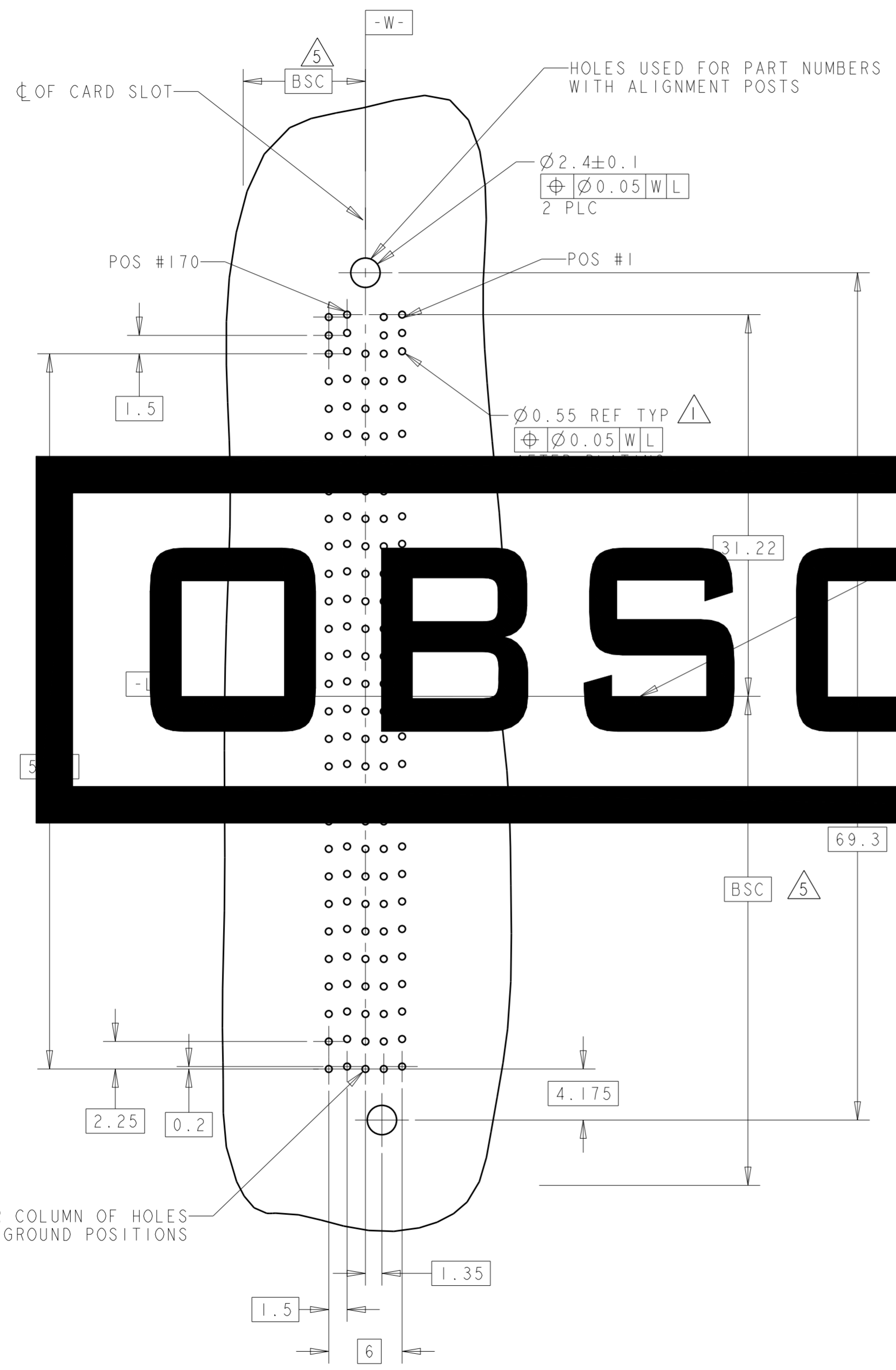
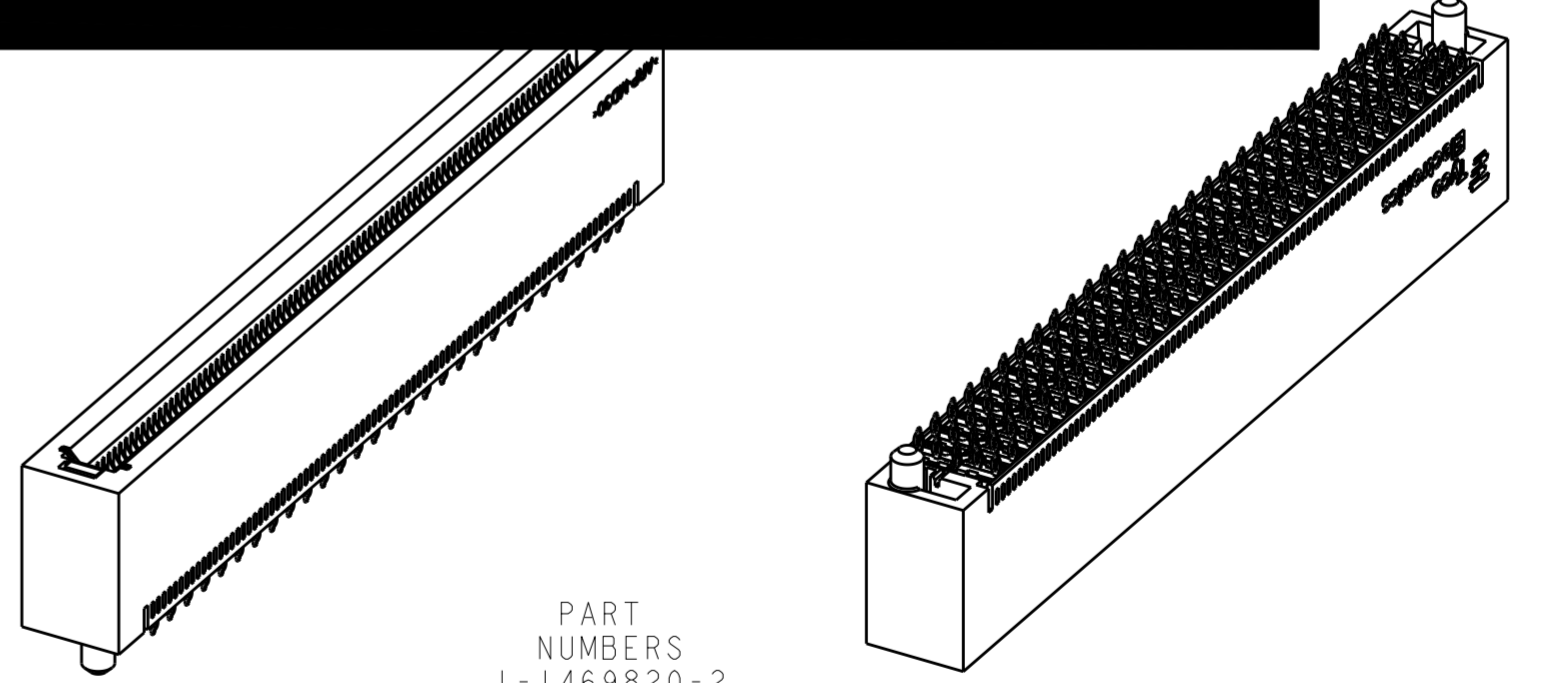
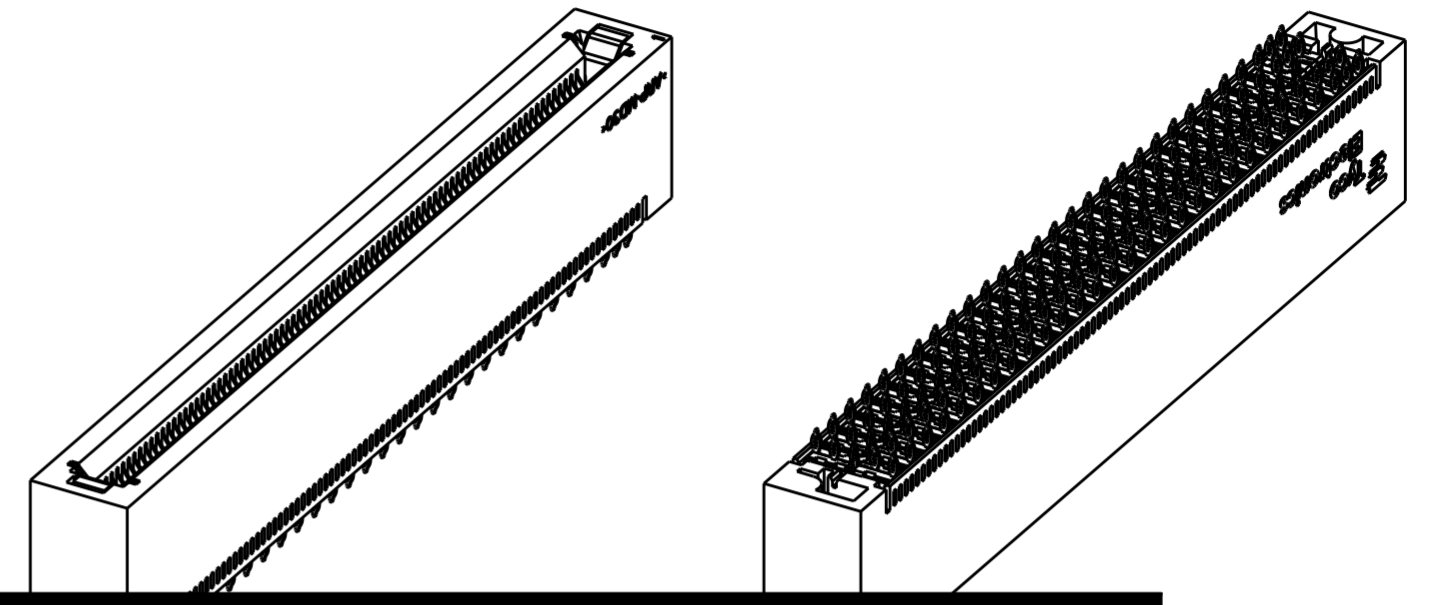


THIS DRAWING IS UNPUBLISHED. RELEASED FOR PUBLICATION 20
 © COPYRIGHT 20 BY - ALL RIGHTS RESERVED.

LOC	DIST	REVISIONS					
CC	00	P	LTR	DESCRIPTION	DATE	DWN	APVD
		-		SEE SHEET 1			



OBSOLETE



PART NUMBERS
 1-1469820-3
 2-1469820-1
 2-1469820-3
 WITHOUT POSTS

PART NUMBERS
 1-1469820-2
 1-1469820-4
 2-1469820-2
 2-1469820-4
 WITH POSTS

THIS DRAWING IS A CONTROLLED DOCUMENT.		DWN D. SZCZESNY	31MAR06	TE Connectivity
DIMENSIONS: mm		CHK -	APVD -	
TOLERANCES UNLESS OTHERWISE SPECIFIED: 0 PLC ±0.1 1 PLC ±0.1 2 PLC ±0.13 3 PLC ±0.013 4 PLC ±0.0001 ANGLES ± FINISH		PRODUCT SPEC 108-2254 APPLICATION SPEC 114-13180		NAME CARD EDGE CONNECTOR, VERTICAL MICRO TCA
MATERIAL		WEIGHT		SIZE A200779
		CUSTOMER DRAWING		CAGE CODE C-1469820
		SCALE 2:1		DRAWING NO -
		SHEET 2 OF 2		RESTRICTED TO -
		REV C		