

MATERIALS AND FINISHES

BODY SEE TABLE
PLATED SEE TABLE

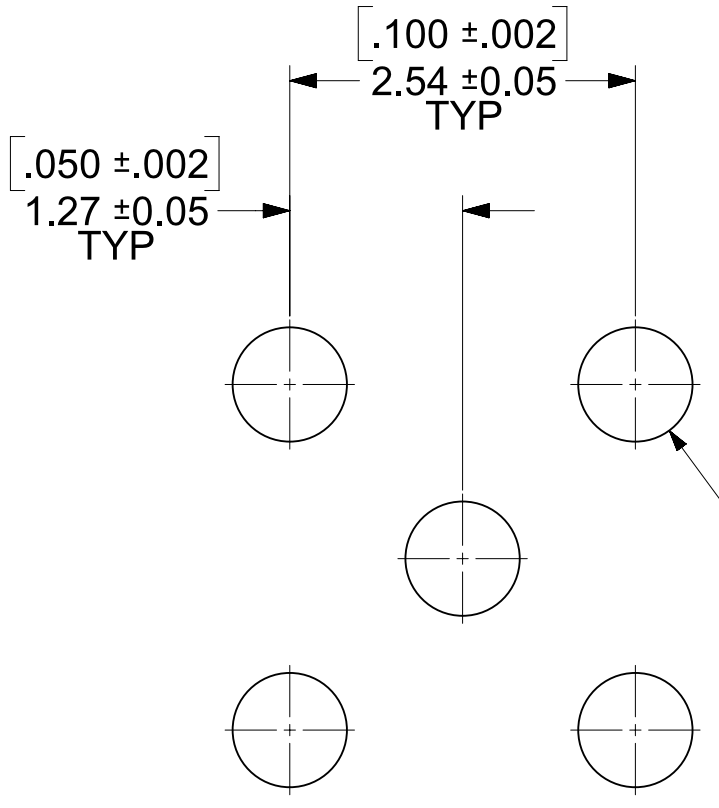
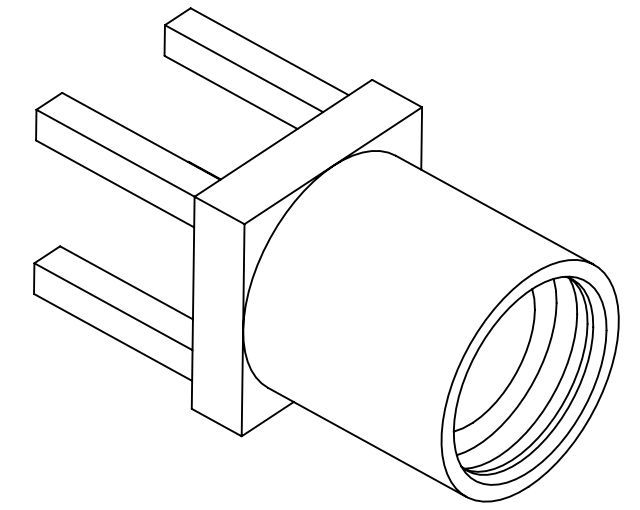
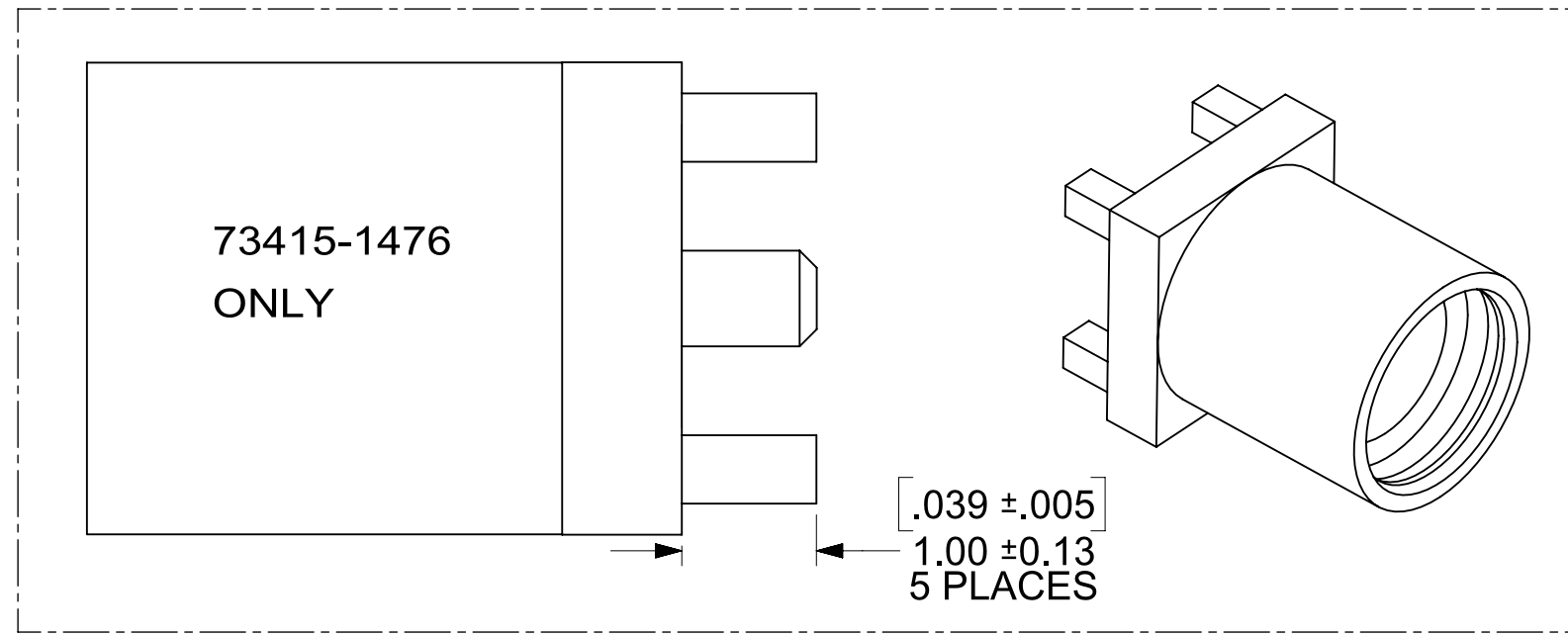
CENTER CONTACT BERYLLIUM COPPER
PLATED SEE TABLE

INSULATOR TEFLON

NOTE

PART # 73415-1473 IS

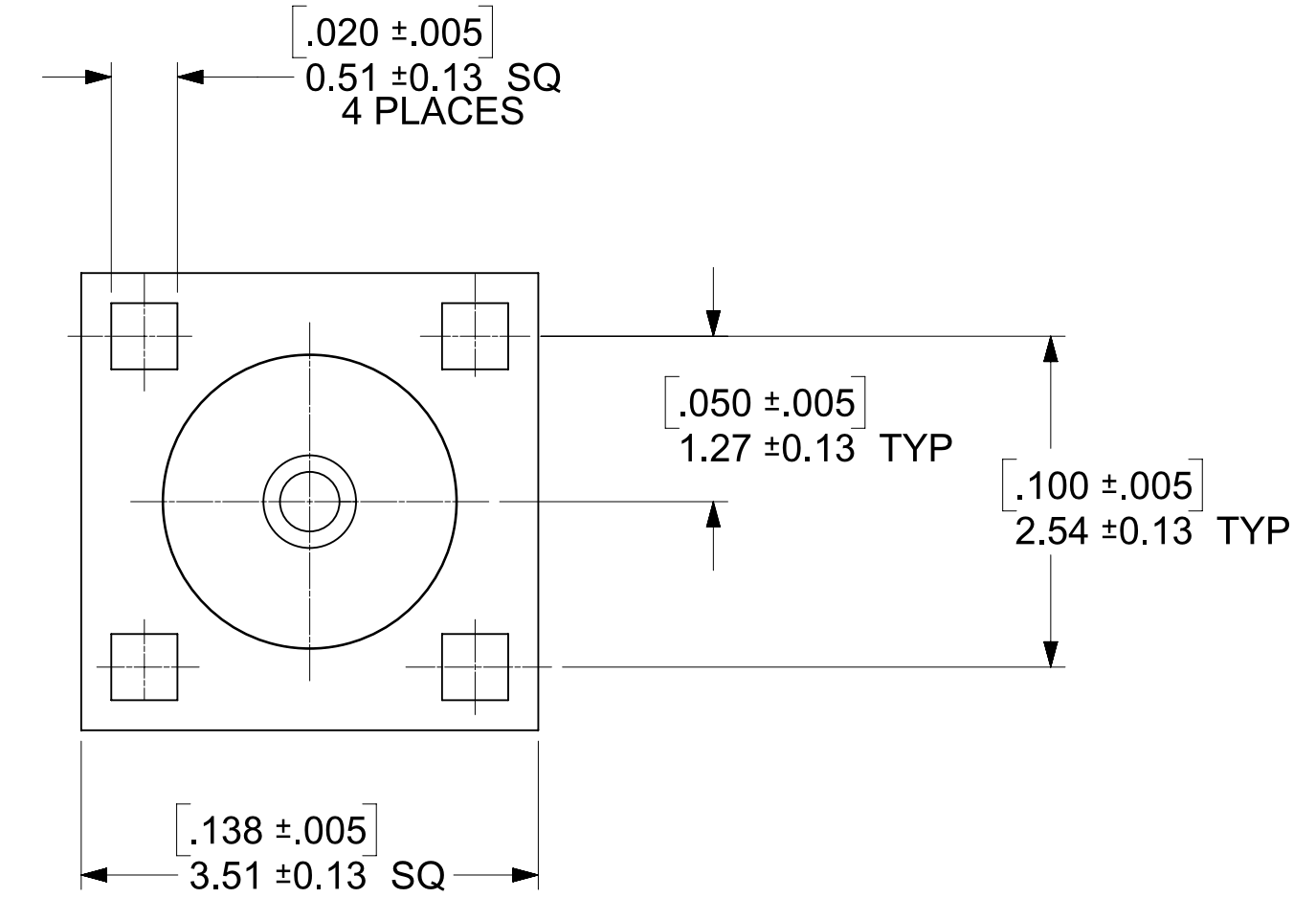
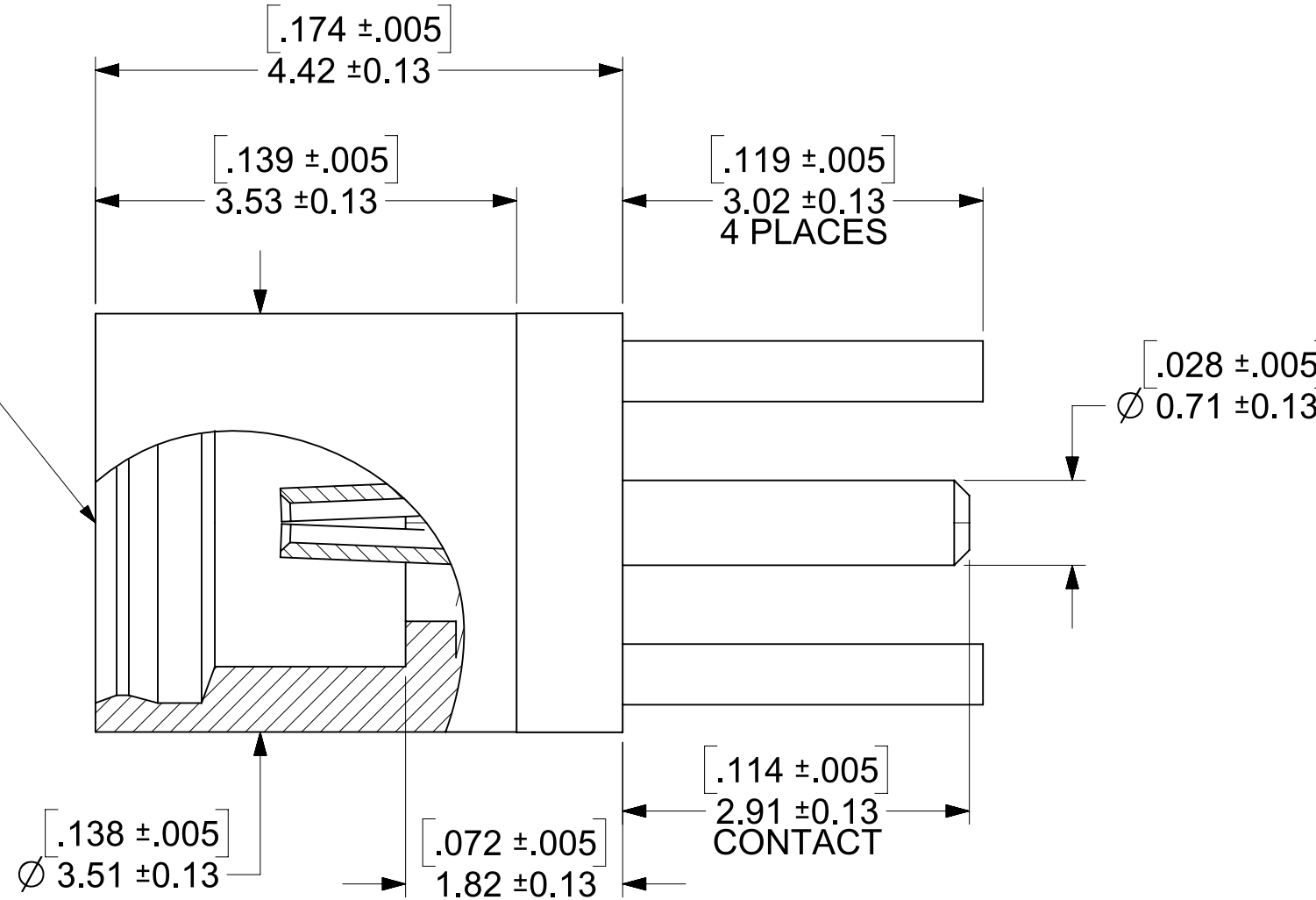
NON-MAGNETIC



SUGGESTED PCB LAYOUT

MMCX JACK
INTERFACE

Ø 0.84 ±0.05
.033 ±.002
5 PLACES

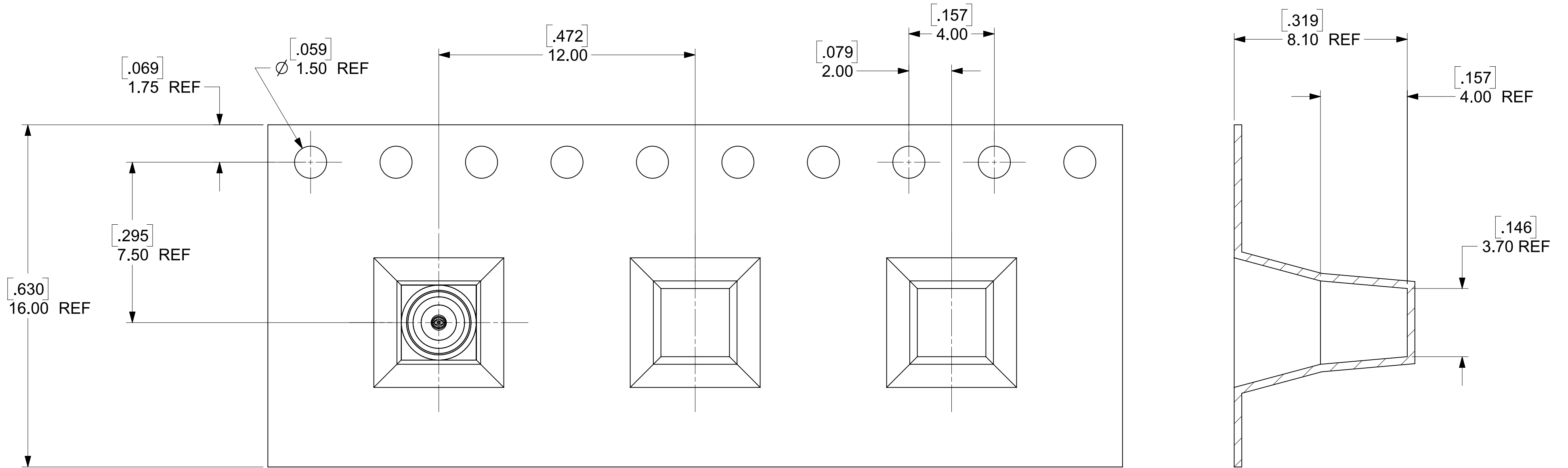


73414-0990	P/N 73415-1471 , TAPE AND REEL WITHOUT KAPTON TAPE (SEE 89542-0450 DRAWING)	BRASS/GOLD 1u" (PER COMMERCIAL REQUIRMENT)	GOLD 30u"
73415-1477	TRAY	BRASS/GOLD 1u" (PER COMMERCIAL REQUIRMENT)	GOLD 1u"
73415-1476	TRAY (1.00 MM LEG LENGTHS)	BRASS/GOLD 1u" (PER COMMERCIAL REQUIRMENT)	GOLD 30u"
73415-1475	P/N 73415-1471 , TAPE AND REEL WITH KAPTON TAPE (SEE 89542-0440 DRAWING)	BRASS/GOLD 1u" (PER COMMERCIAL REQUIRMENT)	GOLD 30u"
73415-1474	TRAY	BRASS/GOLD 1u" (PER COMMERCIAL REQUIRMENT)	GOLD 30u"
73415-1473	BAG (SEE 89542-0103 DRAWING)	BeCu/GOLD 10u" (NON MAGNETIC)	GOLD 30u"
73415-1472	P/N 73415-1471, ONE PER BAG	BRASS/GOLD 1u" (PER COMMERCIAL REQUIRMENT)	GOLD 30u"
73415-1471	BAG (SEE 89542-0102 DRAWING)	BRASS/GOLD 1u" (PER COMMERCIAL REQUIRMENT)	GOLD 30u"
73415-1470	BAG (SEE 89542-0102 DRAWING)	BRASS/ GOLD 30u" (PER MILITARY REQUIRMENT)	GOLD 50u"
PART NO.	PACKAGING	MATERIAL/PLATING (BODY)	PLATING (CENTER CONTACT)

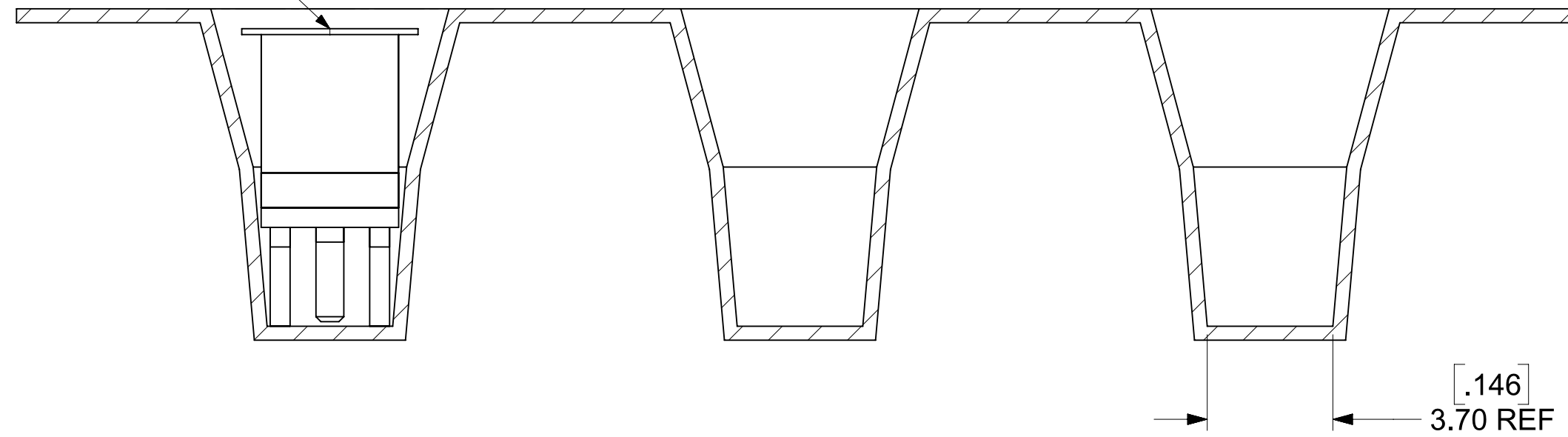
CECC 22 340	INTERFACE
PS-89675-1920	ELECTRO/MECH PER.
SPECIFICATION	DESCRIPTION

SYMBOLS				THIS DRAWING CONTAINS INFORMATION THAT IS PROPRIETARY TO MOLEX ELECTRONIC TECHNOLOGIES, LLC AND SHOULD NOT BE USED WITHOUT WRITTEN PERMISSION			
DIMENSION UNITS	SCALE	CURRENT REV DESC:		molex			
MM/INCH	NTS	EWR-14517-B ADDED 73414-0990 PART NO		MMCX JACK, PCB MOUNT 50 OHMS MMCX-J/PCB			
GENERAL TOLERANCES (UNLESS SPECIFIED)		EC NO: 675460		PRODUCT CUSTOMER DRAWING			
ANGULAR TOL ± 2.0°		DRWN: JSU18	2021/08/19	DOCUMENT NUMBER			
4 PLACES ±		CHK'D: YCHENG	2021/08/31	SD-73415-147		DOC TYPE	DOC PART
3 PLACES ±		APPR: YCHENG	2021/08/31	PSD	001	REVISION	
2 PLACES ±		INITIAL REVISION:		C5			
1 PLACE ±		DRWN: RFC_PLMIMP	2017/12/28	MATERIAL NUMBER			
0 PLACES ±		APPR: JWIENER	2007/01/09	CUSTOMER		SHEET NUMBER	
DRAFT WHERE APPLICABLE MUST REMAIN WITHIN DIMENSIONS		THIRD ANGLE PROJECTION	DRAWING	SERIES		GENERAL MARKET	
		C-SIZE	73415	1 OF 3			

NOTE
DIMENSIONS ARE PROVIDED FOR REFERENCE ONLY



KAPTON



(FOR 73415-1475)

SYMBOLS										THIS DRAWING CONTAINS INFORMATION THAT IS PROPRIETARY TO MOLEX ELECTRONIC TECHNOLOGIES, LLC AND SHOULD NOT BE USED WITHOUT WRITTEN PERMISSION											
DIMENSION UNITS					SCALE					CURRENT REV DESC:											
MM/INCH					NTS					EWR-14517-B ADDED 73414-0990 PART NO											
GENERAL TOLERANCES (UNLESS SPECIFIED)										EC NO: 675460											
ANGULAR TOL ± 2.0°										DRWN: JSU18					2021/08/19						
4 PLACES ±										CHK'D: YCHENG					2021/08/31						
3 PLACES ±										APPR: YCHENG					2021/08/31						
2 PLACES ±										INITIAL REVISION:											
1 PLACE ±										DRWN: RFC_PLMIMP					2017/12/28						
0 PLACES ±										APPR: JWIENER					2007/01/09						
DRAFT WHERE APPLICABLE MUST REMAIN WITHIN DIMENSIONS										THIRD ANGLE PROJECTION		DRAWING		SERIES		MATERIAL NUMBER		CUSTOMER		SHEET NUMBER	
										C-SIZE		73415		SD-73415-147		GENERAL MARKET		2 OF 3			

molex

MMCX JACK, PCB MOUNT
50 OHMS MMCX-J/PCB

PRODUCT CUSTOMER DRAWING

DOCUMENT NUMBER DOC TYPE DOC PART REVISION

SD-73415-147 PSD 001 C5

MATERIAL NUMBER CUSTOMER SHEET NUMBER

GENERAL MARKET 2 OF 3

DOCUMENT STATUS P1 RELEASE DATE 2021/08/31 04:55:36

13" REEL SIZE

12.993 ±.020
 Ø 330.02 ±0.51

.647
 16.43 MIN

.502
 Ø 12.75 REF

250 MM EMPTY MIN


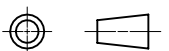
250 MM EMPTY MIN

ORDER QUANTITY PACKED

230.00 MIN

LABEL

- ORDER NO.
- QUANTITY
- PART NO.
- LOT NO.

SYMBOLS ▽ = 0 ▽ = 0 ▽ = 0 ▽ = 0 ▽ = 0 ▽ = 0 ▽ = 0 ▽ = 0 ▽ = 0 ▽ = 0	THIS DRAWING CONTAINS INFORMATION THAT IS PROPRIETARY TO MOLEX ELECTRONIC TECHNOLOGIES, LLC AND SHOULD NOT BE USED WITHOUT WRITTEN PERMISSION	SCALE		CURRENT REV DESC:		 MMCX JACK, PCB MOUNT 50 OHMS MMCX-J/PCB				
	DIMENSION UNITS	MM/INCH	SCALE	NTS	EWR-14517-B ADDED 73414-0990 PART NO					
	GENERAL TOLERANCES (UNLESS SPECIFIED)		ANGULAR TOL ± 2.0°		EC NO: 675460		DRWN: JSU18 2021/08/19		PRODUCT CUSTOMER DRAWING	
	1 PLACE ±		2 PLACES ±		CHK'D: YCHENG 2021/08/31		APPR: YCHENG 2021/08/31		DOCUMENT NUMBER	
1 PLACE ±		0 PLACES ±		INITIAL REVISION:		DRWN: RFC_PLMIMP 2017/12/28		SD-73415-147		
1 PLACE ±		0 PLACES ±		APPR: JWIENER 2007/01/09		SERIES		PSD 001 C5		
DRAFT WHERE APPLICABLE MUST REMAIN WITHIN DIMENSIONS		THIRD ANGLE PROJECTION		DRAWING		C-SIZE		MATERIAL NUMBER		
						73415		CUSTOMER		
								GENERAL MARKET		
								SHEET NUMBER		
								3 OF 3		

DOCUMENT STATUS	P1	RELEASE DATE	2021/08/31	04:55:36
-----------------	----	--------------	------------	----------