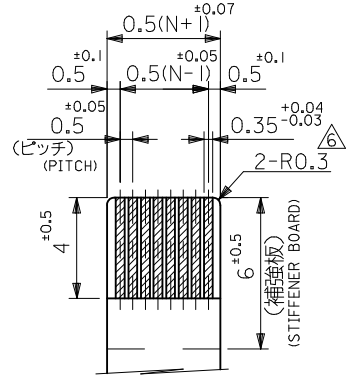


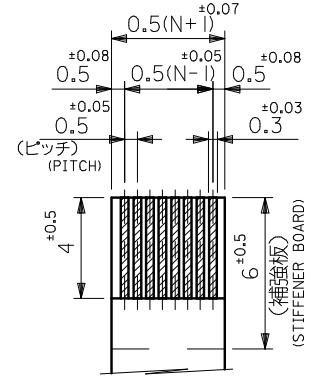
注記 NOTES

- 使用材料: MATERIAL
 ハウジング : 46ナイロン, UL94V-0
 HOUSING 46NYLON
 アクチュエータ: PPS, UL94V-0
 ACTUATOR
 ターミナル : リン青銅, 錫メッキ (t=0.2)
 TERMINAL PHOS-BRO.TIN-PLATED
 金具 : リン青銅, 錫メッキ (t=0.2)
 FITTING NAIL PHOS-BRO.TIN-PLATED
- エンボステープ梱包時は、アクチュエータがロックした状態とする。
 IN THE PACKAGE,ACTUATOR OF PART NO.52437-**27 SHOULD BE LOCKED.
- △ソルダーテール半田付け面のズレ量、及び金具半田付け面のズレ量は、基準面 H に対し上方向 0.1 MAX. , 下方向 0.15MAX.とする。
 MISALIGNMENT OF SOLDER TAILS AND FITTING NAILS FROM H UPPER DIRECTION: 0.1 MAX. , LOWER DIRECTION: 0.15MAX.
- △偶数種に適用。
 APPLY FOR EVEN CIRCUIT.
- △パターンはくり止め用金具。
 FITTING NAIL FOR PREVENTION OF PEELING OF P.C.B. PATTERN.
- △RO. 3は、FPCの導体部にかからないこと。
 RO.3 MUST NOT BE OVERLAPPED TO PATTERN OF FPC.
- ソルダーテールの平坦度は、0.1 MAXIMUMとする。
 SOLDER TAIL COPLANARITY IS 0.1 MAXIMUM.

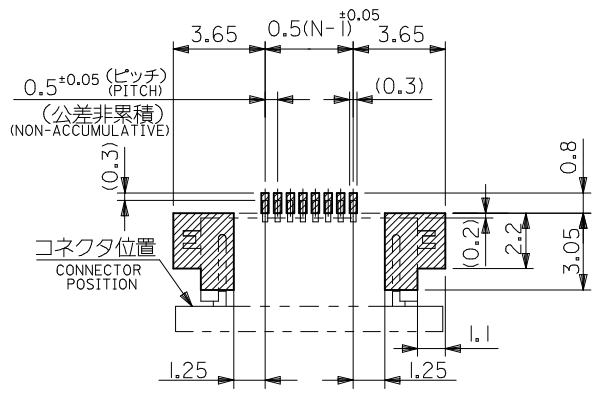
| | | | | | | |
|--|---------------------------------------|--------------|---|--------------------|---|------------------------|
| REVISED EC NO: J2014-1862 DRWN: JASUNUMA 2014/06/26 CHKD: KTAKAHASHI 2014/06/26 APPR: YNOGAWA 2014/07/01 | GENERAL TOLERANCES (UNLESS SPECIFIED) | | DIMENSION STYLE MM ONLY | SCALE --- | DESIGN UNITS METRIC | THIRD ANGLE PROJECTION |
| | 10 UNDER | ±0.2 | DRAWN BY KNAGUMO | DATE 2013/07/16 | TITLE 0.5 FPC CONN ZIF FOR SMT R/A(BOTTOM CONTACT) | |
| | 10 OVER 30 UNDER | ±0.25 | CHECKED BY KTAKAHASHI | DATE 2013/07/16 | | |
| | 30 OVER | ±0.3 | APPROVED BY YNOGAWA | DATE 2013/08/02 | | |
| ANGULAR | ±3 ° | MATERIAL NO. | SEE CHART | | DOCUMENT NO. SD-52437-025 | SHEET NO. 1 OF 2 |
| DRAFT WHERE APPLICABLE MUST REMAIN WITHIN DIMENSIONS | | SIZE A3 | THIS DRAWING CONTAINS INFORMATION THAT IS PROPRIETARY TO MOLEX INCORPORATED AND SHOULD NOT BE USED WITHOUT WRITTEN PERMISSION | | | |



適合FPC推奨寸法
 APPLICABLE FPC RECOMMENDED DIMENSION.
 (仕上がり厚さ: 0.3^{±0.05})
 (THICKNESS: 0.3^{±0.05})



適合FPC推奨寸法
 APPLICABLE FPC RECOMMENDED DIMENSION.
 (仕上がり厚さ: 0.3^{±0.05})
 (THICKNESS: 0.3^{±0.05})



参考基板レイアウト
 (マウント面)
 RECOMMENDED P.C.B. BOARD PATTERN DIMENSION (REF.) (MOUNTING SIDE)

| | | | | | |
|------|------|-------|------|------------|------------|
| 21.6 | 19.6 | 15.65 | 14.5 | 52437-3027 | 30 |
| 21.1 | 19.1 | 15.15 | 14.0 | -2927 | 29 |
| 20.1 | 18.1 | 14.15 | 13.0 | -2727 | 27 |
| 19.6 | 17.6 | 13.65 | 12.5 | -2627 | 26 |
| 18.6 | 16.6 | 12.65 | 11.5 | -2427 | 24 |
| 18.1 | 16.1 | 12.15 | 11.0 | -2327 | 23 |
| 17.6 | 15.6 | 11.65 | 10.5 | -2227 | 22 |
| 16.6 | 14.6 | 10.65 | 9.5 | -2027 | 20 |
| 15.6 | 13.6 | 9.65 | 8.5 | -1827 | 18 |
| 14.6 | 12.6 | 8.65 | 7.5 | -1627 | 16 |
| 14.1 | 12.1 | 8.15 | 7.0 | -1527 | 15 |
| 13.6 | 11.6 | 7.65 | 6.5 | -1427 | 14 |
| 13.1 | 11.1 | 7.15 | 6.0 | -1327 | 13 |
| 12.6 | 10.6 | 6.65 | 5.5 | -1227 | 12 |
| 11.6 | 9.6 | 5.65 | 4.5 | -1027 | 10 |
| 10.6 | 8.6 | 4.65 | 3.5 | -0827 | 8 |
| 10.1 | 8.1 | 4.15 | 3.0 | -0727 | 7 |
| 9.6 | 7.6 | 3.65 | 2.5 | 52437-0627 | 6 |
| D | C | B | (A) | ENG. NO. | 極数 EXT. |

| | | | | | | | | | | | |
|--|-----------------------|--|------------------------|----------------------------|--------------|------------------------------------|---|---|------------------------------|--|--|
| SEE SHEET 1 EC NO.: J2014-1862 DRWN: JASUNUMA 2014/06/26 CHKD: TAKAHASHI 2014/06/26 APPR: YNOGAWA 2014/07/01 | DESCRIPTION REV: A | GENERAL TOLERANCES (UNLESS SPECIFIED) | | DIMENSION STYLE MM ONLY | | SCALE --- | DESIGN UNITS METRIC | THIRD ANGLE PROJECTION | | | |
| | | 10 UNDER ±0.2 | 10 OVER 30 UNDER ±0.25 | 30 OVER ±0.3 | ANGULAR ±3 ° | DRAWN BY: KNAGUMO DATE: 2013/07/16 | | TITLE 0.5 FPC CONN ZIF FOR SMT R/A(BOTTOM CONTACT) | | | |
| | | DRAFT WHERE APPLICABLE MUST REMAIN WITHIN DIMENSIONS | | | MATERIAL NO. | | APPROVED BY: YNOGAWA DATE: 2013/08/02 | | DOCUMENT NO. SD-52437-025 | | |
| | | | | | SIZE A3 | | THIS DRAWING CONTAINS INFORMATION THAT IS PROPRIETARY TO MOLEX INCORPORATED AND SHOULD NOT BE USED WITHOUT WRITTEN PERMISSION | | | | |