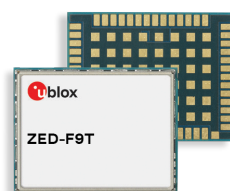


ZED-F9T-10B

High accuracy timing module
Professional grade

Data sheet



Abstract

This data sheet describes the ZED-F9T timing module with multi-band GNSS receiver and nanosecond-level timing accuracy. ZED-F9T meets the most stringent 5G timing requirements, is ideal for global deployment due to GPS, BeiDou, Galileo, and GLONASS reception, and is unaffected by ionospheric errors. The module provides differential timing mode for highly accurate local timing and built-in security for highest robustness against malicious attacks.

Document information

Title	ZED-F9T-10B	
Subtitle	High accuracy timing module	
Document type	Data sheet	
Document number	UBX-20033635	
Revision and date	R07	18-Apr-2023
Disclosure restriction	C1-Public	

Product status	Corresponding content status	
Functional Sample	Draft	For functional testing. Revised and supplementary data will be published later.
In development / prototype	Objective specification	Target values. Revised and supplementary data will be published later.
Engineering sample	Advance information	Data based on early testing. Revised and supplementary data will be published later.
Initial production	Early production information	Data from product verification. Revised and supplementary data may be published later.
Mass production / End of life	Production information	Document contains the final product specification.

This document applies to the following products:

Product name	Type number	FW version	IN/PCN reference	Product status
ZED-F9T	ZED-F9T-10B-01	TIM 2.20	UBX-21050800	Initial production

u-blox or third parties may hold intellectual property rights in the products, names, logos and designs included in this document. Copying, reproduction, or modification of this document or any part thereof is only permitted with the express written permission of u-blox. Disclosure to third parties is permitted for clearly public documents only.

The information contained herein is provided "as is" and u-blox assumes no liability for its use. No warranty, either express or implied, is given, including but not limited to, with respect to the accuracy, correctness, reliability and fitness for a particular purpose of the information. This document may be revised by u-blox at any time without notice. For the most recent documents, visit www.u-blox.com.

Copyright © 2023, u-blox AG.

Contents

1 Functional description.....	4
1.1 Overview.....	4
1.2 Performance.....	4
1.3 Supported GNSS constellations.....	5
1.4 Supported GNSS augmentation systems.....	5
1.4.1 Quasi-Zenith Satellite System (QZSS).....	5
1.4.2 Satellite-based augmentation system (SBAS).....	6
1.4.3 Differential timing mode.....	6
1.5 Broadcast navigation data and satellite signal measurements.....	6
1.5.1 Carrier-phase measurements.....	6
1.6 Supported protocols.....	6
2 System description.....	8
2.1 Block diagram.....	8
3 Pin definition.....	9
3.1 Pin assignment.....	9
4 Electrical specification.....	12
4.1 Absolute maximum ratings.....	12
4.2 Operating conditions.....	12
4.3 Indicative power requirements.....	13
5 Communications interfaces.....	14
5.1 UART.....	14
5.2 SPI.....	14
5.3 I2C.....	15
5.4 USB.....	17
5.5 Default interface settings.....	17
6 Mechanical specification.....	18
7 Reliability tests and approvals.....	19
7.1 Approvals.....	19
8 Labeling and ordering information.....	20
8.1 Product labeling.....	20
8.2 Explanation of product codes.....	20
8.3 Ordering codes.....	20
Related documents.....	21
Revision history.....	22

1 Functional description

1.1 Overview

The ZED-F9T-10B is a multi-band GNSS module offering 5 ns (1-sigma) timing accuracy with unparalleled low power consumption.

The ZED-F9T-10B incorporates the u-blox F9 multi-band platform in a small surface-mount device with a form factor of 22 x 17 mm.

1.2 Performance

Parameter	Specification	
Receiver type	Multi-band GNSS receiver for timing applications	
Accuracy of time pulse signal ¹	Absolute timing mode	5 ns
	Differential timing mode ²	2.5 ns
Frequency of time pulse signal	0.25 Hz to 25 MHz (configurable)	
Time pulse jitter	±4 ns	
Time-mark resolution	8 ns	
Operational limits ³	Dynamics	≤ 4 g
	Altitude	80,000 m
	Velocity	500 m/s
Velocity accuracy ⁴	0.05 m/s	
Dynamic heading accuracy ⁴	0.3 deg	

Table 1: ZED-F9T-10B specifications

GNSS		GPS+GLO+GAL+BDS	GPS+BDS+GAL	GPS+GAL	GPS+GLO	GPS+BDS	GPS
Acquisition ⁵	Cold start	24 s	25 s	29 s	26 s	28 s	29 s
	Hot start	2 s	2 s	2 s	2 s	2 s	2 s
	Aided start ⁶	2 s	2 s	2 s	2 s	2 s	2 s
Max navigation update rate ⁷		8 Hz	10 Hz	15 Hz	15 Hz	12 Hz	20 Hz

Table 2: ZED-F9T-10B performance in different GNSS modes

GNSS		GPS+GLO+GAL+BDS	GPS+BDS+GAL	GPS+GAL	GPS+GLO	GPS+BDS	GPS
Horizontal pos. accuracy	Standalone ⁸	1.5 m CEP	1.5 m CEP	1.5 m CEP	1.5 m CEP	1.5 m CEP	1.5 m CEP

Table 3: ZED-F9T-10B position accuracy in different GNSS modes

¹ 1-sigma, fixed position mode, depends on temperature, atmospheric conditions, baseline length, GNSS antenna, multipath conditions, satellite visibility and geometry

² Demonstrated with 20 km baseline

³ Assuming Airborne 4 g platform

⁴ 50% at 30 m/s for dynamic operation

⁵ Commanded starts. All satellites at -130 dBm. Measured at room temperature. Dual band operation

⁶ Dependent on the speed and latency of the aiding data connection, commanded starts

⁷ 95% In PVT navigation mode, assumes secondary navigation output disabled (default)

⁸ Depends on atmospheric conditions, GNSS antenna, multipath conditions, satellite visibility, and geometry



In order to achieve the best absolute timing accuracy, measure the propagation delay of the entire signal path from the antenna to the receiver's time pulse output, and then compensate for this delay using the CFG-TP configuration items.

GNSS	GPS+GLO+GAL+BDS	
Sensitivity ⁹	Tracking and nav.	-167 dBm
	Reacquisition	-160 dBm
	Cold start	-148 dBm
	Hot start	-157 dBm

Table 4: ZED-F9T-10B sensitivity

1.3 Supported GNSS constellations

The ZED-F9T-10B GNSS module is a concurrent GNSS receiver that can receive and track multiple GNSS systems. Owing to the multi-band RF front-end architecture, all four major GNSS constellations (GPS, Galileo, GLONASS and BeiDou) plus NavIC, SBAS and QZSS satellites can be received concurrently. If low power consumption is a key factor, then the receiver can be configured for a subset of GNSS constellations.

The ZED-F9T-10B can receive the NavIC L5 satellite signals that share the same frequency with GPS L5 signals and can be configured to work on its own or in parallel with the other GNSS constellations.

The QZSS system shares the same frequency bands with GPS and can only be processed in conjunction with GPS.

To benefit from multi-band signal reception, dedicated hardware preparation must be made during the design-in phase. See the Integration manual [1] for u-blox design recommendations.

The ZED-F9T-10B supports the GNSS and their signals as shown in Table 5.

GPS / QZSS	GLONASS	Galileo	BeiDou	NavIC
L1C/A (1575.420 MHz)	L1OF (1602 MHz + k*562.5 kHz, k = -7,...,6)	E1-B/C (1575.420 MHz)	B1I (1561.098 MHz) B1C (1575.420 MHz)	-
L5 (1176.450 MHz)	-	E5a (1176.450 MHz)	B2a (1176.450 MHz)	SPS-L5 (1176.450 MHz)

Table 5: Supported GNSS signals on ZED-F9T-10B


The ZED-F9T-10B can use the u-blox AssistNow™ Online service which provides GNSS assistance information.

1.4 Supported GNSS augmentation systems

1.4.1 Quasi-Zenith Satellite System (QZSS)


The Quasi-Zenith Satellite System (QZSS) is a regional navigation satellite system that provides positioning services for the Pacific region covering Japan and Australia. The ZED-F9T-10B is able to receive and track QZSS L1 C/A and L5 signals concurrently with GPS signals, resulting in better availability especially under challenging signal conditions, e.g. in urban canyons.

⁹ Demonstrated with a good external LNA. Measured at room temperature.

 QZSS can be enabled only if GPS operation is also configured.

1.4.2 Satellite-based augmentation system (SBAS)

The ZED-F9T-10B supports SBAS (including WAAS in the US, EGNOS in Europe, L1Sb(QZSS SBAS) in Japan and GAGAN in India) to deliver improved location accuracy within the regions covered. However, the additional inter-standard time calibration step used during SBAS reception results in degraded time accuracy overall.

 SBAS reception is disabled by default in ZED-F9T-10B.

1.4.3 Differential timing mode

To improve timing accuracy locally, the ZED-F9T-10B can be used in differential timing mode, in which correction data is sent to neighboring ZED-F9T-10B timing receivers via a communication network.

In differential timing mode the ZED-F9T-10B can operate either as a reference station generating the following RTCM 3.3 messages, or as a corrected station using the following RTCM 3.3 messages:

Message type	Description
RTCM 1005	Stationary RTK reference station ARP
RTCM 1077	GPS MSM7
RTCM 1087	GLONASS MSM7
RTCM 1097	Galileo MSM7
RTCM 1127	BeiDou MSM7
RTCM 1230	GLONASS code-phase biases
RTCM 4072.1	Additional reference station information (u-blox proprietary RTCM Message)


Table 6: Supported RTCM 3.3 messages

1.5 Broadcast navigation data and satellite signal measurements

The ZED-F9T-10B can output all the GNSS broadcast data upon reception from tracked satellites. This includes all the supported GNSS signals as well as the QZSS and SBAS augmentation services. The UBX-RXM-SFRBX message provides this information, see the Interface description [2] for the UBX-RXM-SFRBX message specification. The receiver can provide satellite signal information in a form compatible with the Radio Resource LCS Protocol (RRLP) [3].

1.5.1 Carrier-phase measurements

The ZED-F9T-10B modules provide raw carrier-phase data for all supported signals, along with pseudorange, Doppler and measurement quality information. The data contained in the UBX-RXM-RAWX message follows the conventions of a multi-GNSS RINEX 3 observation file. For the UBX-RXM-RAWX message specification, see Interface description [2].

 Raw measurement data are available once the receiver has established data bit synchronization and time-of-week.

1.6 Supported protocols

The ZED-F9T-10B supports the following protocols:

Protocol	Type
UBX	Input/output, binary, u-blox proprietary

Protocol	Type
NMEA 4.11 (default), 4.10, 4.0, 2.3, and 2.1	Input/output, ASCII
RTCM 3.3	Input/output, binary

Table 7: Supported protocols

For specification of the protocols, see the Interface description [\[2\]](#).

2 System description

2.1 Block diagram

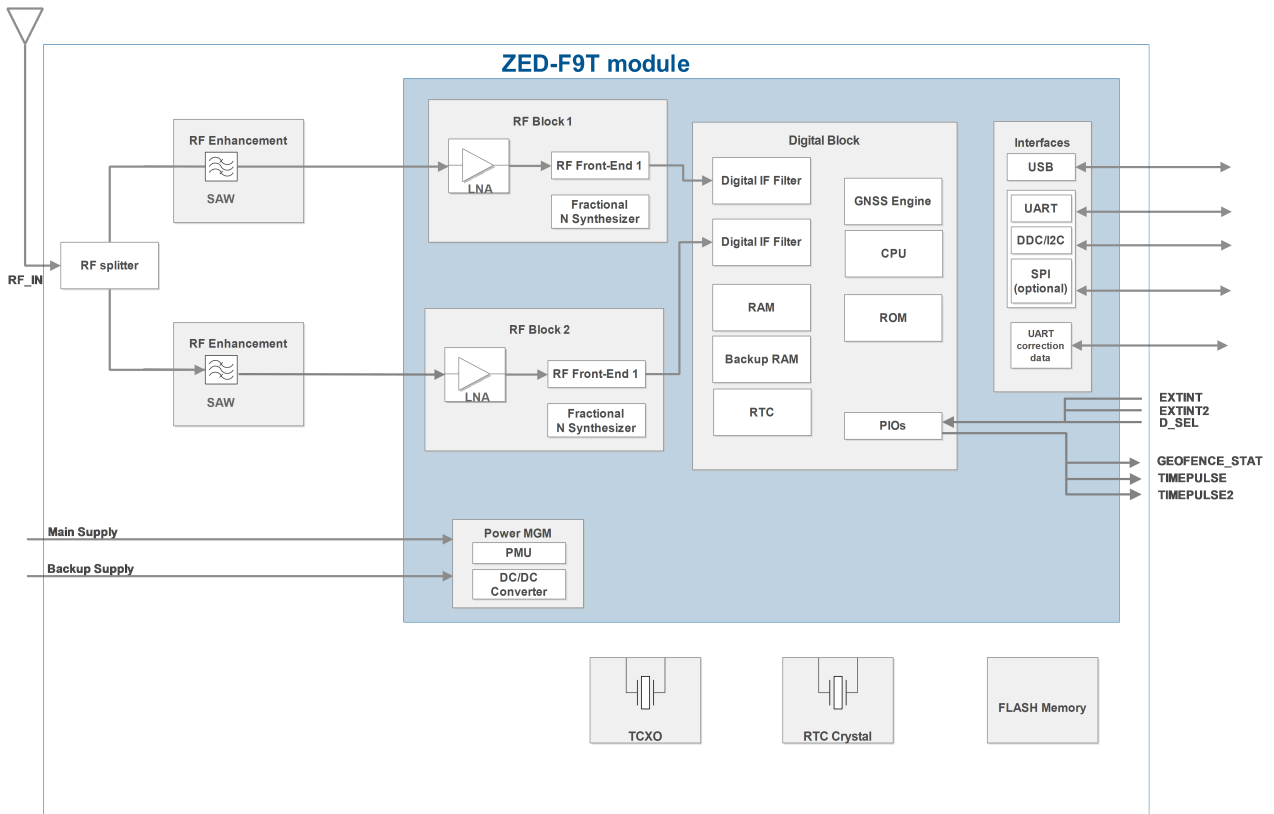


Figure 1: ZED-F9T-10B block diagram



An active antenna is mandatory with the ZED-F9T-10B. For more information, see the Integration manual [1].

3 Pin definition

3.1 Pin assignment

The pin assignment of the ZED-F9T-10B module is shown in [Figure 2](#). The defined configuration of the PIOs is listed in [Table 8](#).

For detailed information on pin functions and characteristics, see the Integration manual [1].



The ZED-F9T-10B is an LGA package with the I/O on the outside edge and central ground pads.

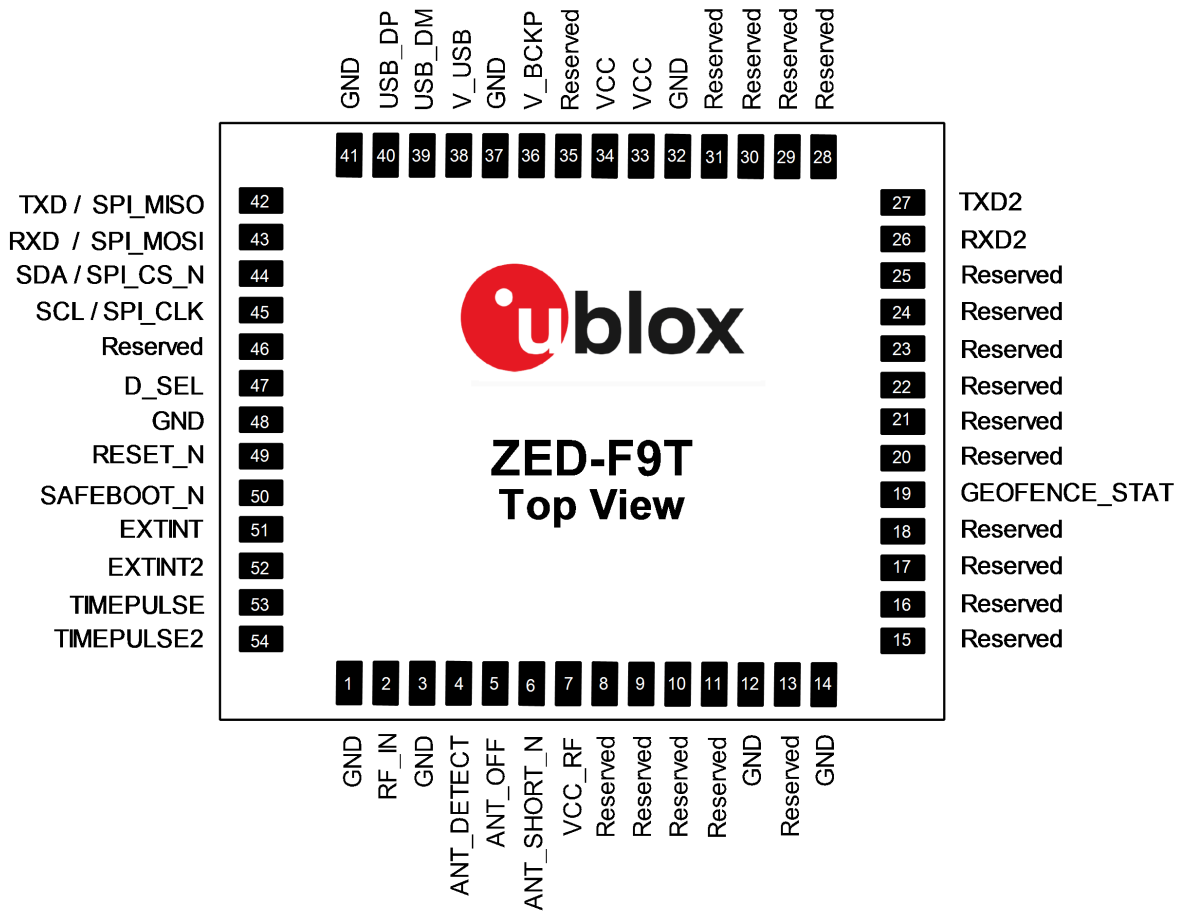


Figure 2: ZED-F9T-10B pin assignment

Pin no.	Name	I/O	Description
1	GND	-	Ground
2	RF_IN	I	RF input
3	GND	-	Ground
4	ANT_DETECT	I	Active antenna detect - default active high
5	ANT_OFF	O	External LNA disable - default active high
6	ANT_SHORT_N	I	Active antenna short detect - default active low
7	VCC_RF	O	Voltage for external LNA
8	Reserved	-	Reserved

Pin no.	Name	I/O	Description
9	Reserved	-	Reserved
10	Reserved	-	Reserved
11	Reserved	-	Reserved
12	GND	-	Ground
13	Reserved	-	Reserved
14	GND	-	Ground
15	Reserved	-	Reserved
16	Reserved	-	Reserved
17	Reserved	-	Reserved
18	Reserved	-	Reserved
19	GEOFENCE_STAT	O	Geofence status, user defined
20	Reserved	-	Reserved
21	Reserved	-	Reserved
22	Reserved	-	Reserved
23	Reserved	-	Reserved
24	Reserved	-	Reserved
25	Reserved	-	Reserved
26	RXD2	I	Correction UART input
27	TXD2	O	Correction UART output
28	Reserved	-	Reserved
29	Reserved	-	Reserved
30	Reserved	-	Reserved
31	Reserved	-	Reserved
32	GND	-	Ground
33	VCC	I	Voltage supply
34	VCC	I	Voltage supply
35	Reserved	-	Reserved
36	V_BCKP	I	Backup supply voltage
37	GND	-	Ground
38	V_USB	I	USB supply
39	USB_DM	I/O	USB data
40	USB_DP	I/O	USB data
41	GND	-	Ground
42	TXD / SPI_MISO	O	Host UART output if D_SEL = 1 (or open). SPI_MISO if D_SEL = 0
43	RXD / SPI_MOSI	I	Host UART input if D_SEL = 1 (or open). SPI_MOSI if D_SEL = 0
44	SDA / SPI_CS_N	I/O	I2C Data if D_SEL = 1 (or open). SPI Chip Select if D_SEL = 0
45	SCL / SPI_CLK	I/O	I2C Clock if D_SEL = 1 (or open). SPI Clock if D_SEL = 0
46	Reserved	-	Reserved
47	D_SEL	I	Interface select for pins 42-45
48	GND	-	Ground
49	RESET_N	I	RESET_N
50	SAFEBOOT_N	I	SAFEBOOT_N (for future service, updates and reconfiguration, leave OPEN)
51	EXTINT	I	External interrupt pin
52	EXTINT2	I	External interrupt pin 2

Pin no.	Name	I/O	Description
53	TIMEPULSE	O	Time pulse
54	TIMEPULSE2	O	Time pulse 2

Table 8: ZED-F9T-10B pin assignment

4 Electrical specification

CAUTION Operating the device above one or more of the limiting values may cause permanent damage to the device. The values provided in this chapter are stress ratings. Extended exposure to the values outside the limits may effect the device reliability.

Where application information is given, it is advisory only and does not form part of the specification.

4.1 Absolute maximum ratings

Parameter	Symbol	Condition	Min	Max	Units
Power supply voltage	VCC		-0.5	3.6	V
Voltage ramp on VCC ¹⁰			20	8000	µs/V
Backup battery voltage	V_BCKP		-0.5	3.6	V
Voltage ramp on V_BCKP ¹⁰			20		µs/V
Input pin voltage	V _{in}	VCC ≤ 3.1 V	-0.5	VCC + 0.5	V
		VCC > 3.1 V	-0.5	3.6	V
VCC_RF output current	ICC_RF			300	mA
Supply voltage USB	V_USB		-0.5	3.6	V
USB signals	USB_DM, USB_DP		-0.5	V_USB + 0.5 V	
Input power at RF_IN	Pr _{fin}	source impedance = 50 Ω, continuous wave		10	dBm
Storage temperature	T _{stg}		-40	+85	°C

Table 9: Absolute maximum ratings

CAUTION Risk of equipment damage. This product is not protected against overvoltage or reversed voltages. Use appropriate protection diodes to avoid voltage spikes exceeding the specified boundaries damaging the equipment.

4.2 Operating conditions

The values for the following operating conditions have been specified at 25°C ambient temperature. Extreme operating temperatures can significantly impact the specified values. If an application operates near the min or max temperature limits, ensure the specified values are not exceeded.

Parameter	Symbol	Min	Typical	Max	Units	Condition
Power supply voltage	VCC	2.7	3.0	3.6	V	
Backup battery voltage	V_BCKP	1.65		3.6	V	
Backup battery current ¹¹	I_BCKP		45		µA	V_BCKP = 3 V, VCC = 0 V
SW backup current	I_SWBCKP		1.4		mA	
Input pin voltage range	V _{in}	0		VCC	V	
Digital IO pin low level input voltage	V _{il}			0.4	V	
Digital IO pin high level input voltage	V _{ih}	0.8 * VCC			V	

¹⁰ Exceeding the ramp speed may permanently damage the device

¹¹ To measure the I_BCKP the receiver should first be switched on, i.e. VCC and V_BCKP is available. Then set VCC to 0 V while the V_BCKP remains available. Afterward measure the current consumption at the V_BCKP.

Parameter	Symbol	Min	Typical	Max	Units	Condition
Digital IO pin low level output voltage TIMEPULSE	V _{ol}			0.4	V	I _{ol} = 2 mA I _{ol} = 4 mA
Digital IO pin high level output voltage TIMEPULSE	V _{oh}	VCC - 0.4			V	I _{oh} = 2 mA I _{oh} = 4 mA
DC current through any digital I/O pin (except supplies)	I _{pin}			5	mA	
VCC_RF voltage	VCC_RF		VCC - 0.1		V	
VCC_RF output current	ICC_RF			50	mA	
Receiver chain noise figure ¹²	NF _{tot}		9.5		dB	
External gain (at RF_IN)	Ext_gain	17		50	dB	
Operating temperature	Topr	-40	+25	+85	°C	

Table 10: Operating conditions

Operation beyond the specified operating conditions can affect the device reliability.

4.3 Indicative power requirements

Table 11 provides examples of typical current requirements when using a cold start command. The given values are total system supply current for a possible application including RF and baseband sections.

The actual power requirements vary depending on the FW version used, external circuitry, number of satellites tracked, signal strength, type and time of start, duration, and conditions of test.

Symbol	Parameter	Conditions	GPS+GLO +GAL+BDS	GPS	Unit
I _{PEAK}	Peak current	Acquisition	130	120	mA
I _{VCC} ¹³	VCC current	Acquisition	90	75	mA
I _{VCC} ¹³	VCC current	Tracking	85	68	mA

Table 11: Currents to calculate the indicative power requirements

All values in **Table 11** are measured at 25 °C ambient temperature.

¹² Only valid for GPS

¹³ Simulated GNSS signal

5 Communications interfaces

The ZED-F9T-10B has several communications interfaces, including UART, SPI, I2C and USB.

All the inputs have internal pull-up resistors in normal operation and can be left open if not used. All the PIOs are supplied by VCC, therefore all the voltage levels of the PIO pins are related to VCC supply voltage.

5.1 UART

The UART interfaces support configurable baud rates. See the Integration manual [1].

Hardware flow control is not supported.

The UART1 is enabled if D_SEL pin of the module is left open or "high".

Symbol	Parameter	Min	Max	Unit
R_U	Baud rate	9600	921600	bit/s
Δ_{Tx}	Tx baud rate accuracy	-1%	+1%	-
Δ_{Rx}	Rx baud rate tolerance	-2.5%	+2.5%	-

Table 12: ZED-F9T-10B UART specifications

5.2 SPI

The SPI interface is disabled by default. The SPI interface shares pins with UART and I2C and can be selected by setting D_SEL = 0. The SPI interface can be operated in slave mode only. The maximum transfer rate using SPI is 125 kB/s and the maximum SPI clock frequency is 5.5 MHz.

The SPI timing parameters for slave operation are defined in Figure 3. Default SPI configuration is CPOL = 0 and CPHA = 0.

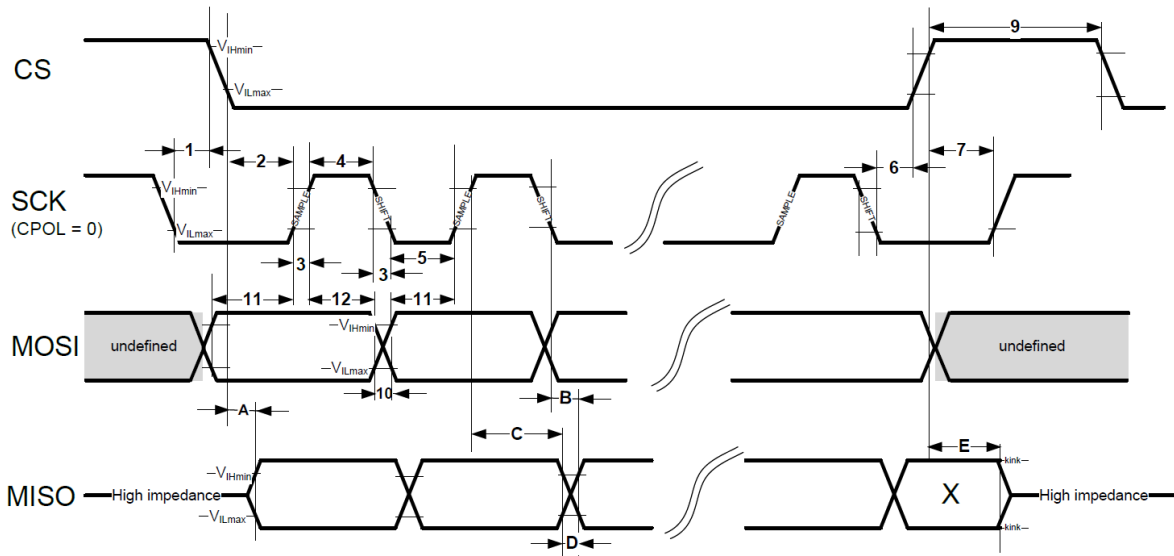


Figure 3: ZED-F9T-10B SPI specification mode 1: CPHA=0 SCK = 5.33 MHz

Symbol	Parameter	Min	Max	Unit
1	CS deassertion hold time	23	-	ns
2	Slave select time (CS to SCK)	20	-	ns

Symbol	Parameter	Min	Max	Unit
3	SCK rise/fall time	-	7	ns
4	SCK high time	24	-	ns
5	SCK low time	24	-	ns
6	Slave deselect time (SCK falling to CS)	30	-	ns
7	Slave deselect time (CS to SCK)	30	-	ns
9	CS high time	32	-	ns
10	MOSI transition time	-	7	ns
11	MOSI setup time	16	-	ns
12	MOSI hold time	24	-	ns

Table 13: SPI slave input timing parameters 1 - 12

Symbol	Parameter	Min	Max	Unit
A	MISO data valid time (CS)	12	40	ns
B	MISO data valid time (SCK), weak driver mode	15	40	ns
C	MISO data hold time	100	140	ns
D	MISO rise/fall time, weak driver mode	0	5	ns
E	MISO data disable lag time	15	35	ns

Table 14: SPI slave timing parameters A - E, 2 pF load capacitance

Symbol	Parameter	Min	Max	Unit
A	MISO data valid time (CS)	16	55	ns
B	MISO data valid time (SCK), weak driver mode	20	55	ns
C	MISO data hold time	100	150	ns
D	MISO rise/fall time, weak driver mode	3	20	ns
E	MISO data disable lag time	15	35	ns

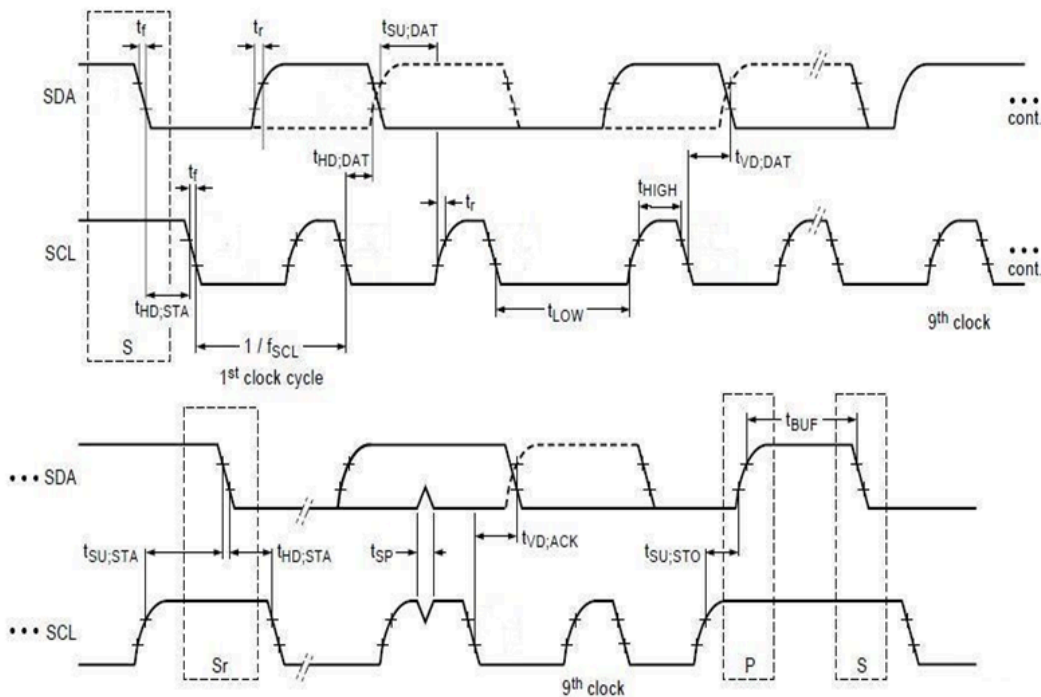
Table 15: SPI slave timing parameters A - E, 20 pF load capacitance

Symbol	Parameter	Min	Max	Unit
A	MISO data valid time (CS)	26	85	ns
B	MISO data valid time (SCK), weak driver mode	30	85	ns
C	MISO data hold time	110	160	ns
D	MISO rise/fall time, weak driver mode	13	45	ns
E	MISO data disable lag time	15	35	ns

Table 16: SPI slave timing parameters A - E, 60 pF load capacitance

5.3 I2C

An I2C interface is available for communication with an external host CPU in I2C Fast-mode. Backwards compatibility with Standard-mode I2C bus operation is not supported. The interface can be operated only in slave mode with a maximum bit rate of 400 kbit/s. The interface can make use of clock stretching by holding the SCL line LOW to pause a transaction. In this case, the bit transfer rate is reduced. The maximum clock stretching time is 20 ms.


Figure 4: ZED-F9T-10B I2C slave specification


Symbol	Parameter	I2C Fast-mode		Unit
		Min	Max	
f_{SCL}	SCL clock frequency	0	400	kHz
$t_{HD,STA}$	Hold time (repeated) START condition	0.6	-	μs
t_{LOW}	Low period of the SCL clock	1.3	-	μs
t_{HIGH}	High period of the SCL clock	0.6	-	μs
$t_{SU,STA}$	Setup time for a repeated START condition	0.6	-	μs
$t_{HD,DAT}$	Data hold time	0 ¹⁴	- ¹⁵	μs
$t_{SU,DAT}$	Data setup time	100 ¹⁶	-	ns
t_r	Rise time of both SDA and SCL signals	-	300 (for C = 400pF)	ns
t_f	Fall time of both SDA and SCL signals	-	300 (for C = 400pF)	ns
$t_{SU,STO}$	Setup time for STOP condition	0.6	-	μs
t_{BUF}	Bus-free time between a STOP and START condition	1.3	-	μs
$t_{VD,DAT}$	Data valid time	-	0.9 ¹⁵	μs
$t_{VD,ACK}$	Data valid acknowledge time	-	0.9 ¹⁵	μs
V_{nL}	Noise margin at the low level	0.1 VCC	-	V
V_{nH}	Noise margin at the high level	0.2 VCC	-	V

Table 17: ZED-F9T-10B I2C slave timings and specifications

¹⁴ External device must provide a hold time of at least one transition time (max 300 ns) for the SDA signal (with respect to the min V_{ih} of the SCL signal) to bridge the undefined region of the falling edge of SCL.

¹⁵ The maximum $t_{HD,DAT}$ must be less than the maximum $t_{VD,DAT}$ or $t_{VD,ACK}$ with a maximum of 0.9 μs by a transition time. This maximum must only be met if the device does not stretch the LOW period (t_{LOW}) of the SCL signal. If the clock stretches the SCL, the data must be valid by the set-up time before it releases the clock.

¹⁶ When the I2C slave is stretching the clock, the $t_{SU,DAT}$ of the first bit of the next byte is 62.5 ns.

 The I2C interface is only available with the UART default mode. If the SPI interface is selected by using D_SEL = 0, the I2C interface is not available.

5.4 USB


The USB 2.0 FS (full speed, 12 Mbit/s) interface can be used for host communication. Due to the hardware implementation, it may not be possible to certify the USB interface. The V_USB pin supplies the USB interface.

5.5 Default interface settings

Interface	Settings
UART1 output	38400 baud, 8 bits, no parity bit, 1 stop bit. NMEA protocol with GGA, GLL, GSA, GSV, RMC, VTG, TXT, ZDA messages are output by default. UBX and RTCM 3.3 protocols are enabled by default but no output messages are enabled by default.
UART1 input	38400 baud, 8 bits, no parity bit, 1 stop bit. UBX, NMEA and RTCM 3.3 input protocols are enabled by default.
UART2 output	38400 baud, 8 bits, no parity bit, 1 stop bit. UBX protocol cannot be enabled. RTCM 3.3 protocol is enabled by default but no output messages are enabled by default. NMEA protocol is disabled by default.
UART2 input	38400 baud, 8 bits, no parity bit, 1 stop bit. UBX protocol cannot be enabled and will not receive UBX input messages. RTCM 3.3 protocol is enabled by default. NMEA protocol is disabled by default.
USB	Default messages activated as in UART1. Input/output protocols available as in UART1.
I2C	Available for communication in the Fast-mode with an external host CPU in slave mode only. Default messages activated as in UART1. Input/output protocols available as in UART1. Maximum bit rate 400 kb/s.
SPI	Allow communication to a host CPU, operated in slave mode only. Default messages activated as in UART1. Input/output protocols available as in UART1. SPI is not available unless D_SEL pin is set to low (see section D_SEL interface in Integration manual [1]).

Table 18: Default interface settings

 Refer to the applicable Interface description [2] for information about further settings.

 By default, the ZED-F9T-10B outputs NMEA messages that include satellite data for all GNSS bands being received. This results in a high NMEA output load for each navigation period. Make sure the UART baud rate used is sufficient for the selected navigation rate and the number of GNSS signals being received.

6 Mechanical specification

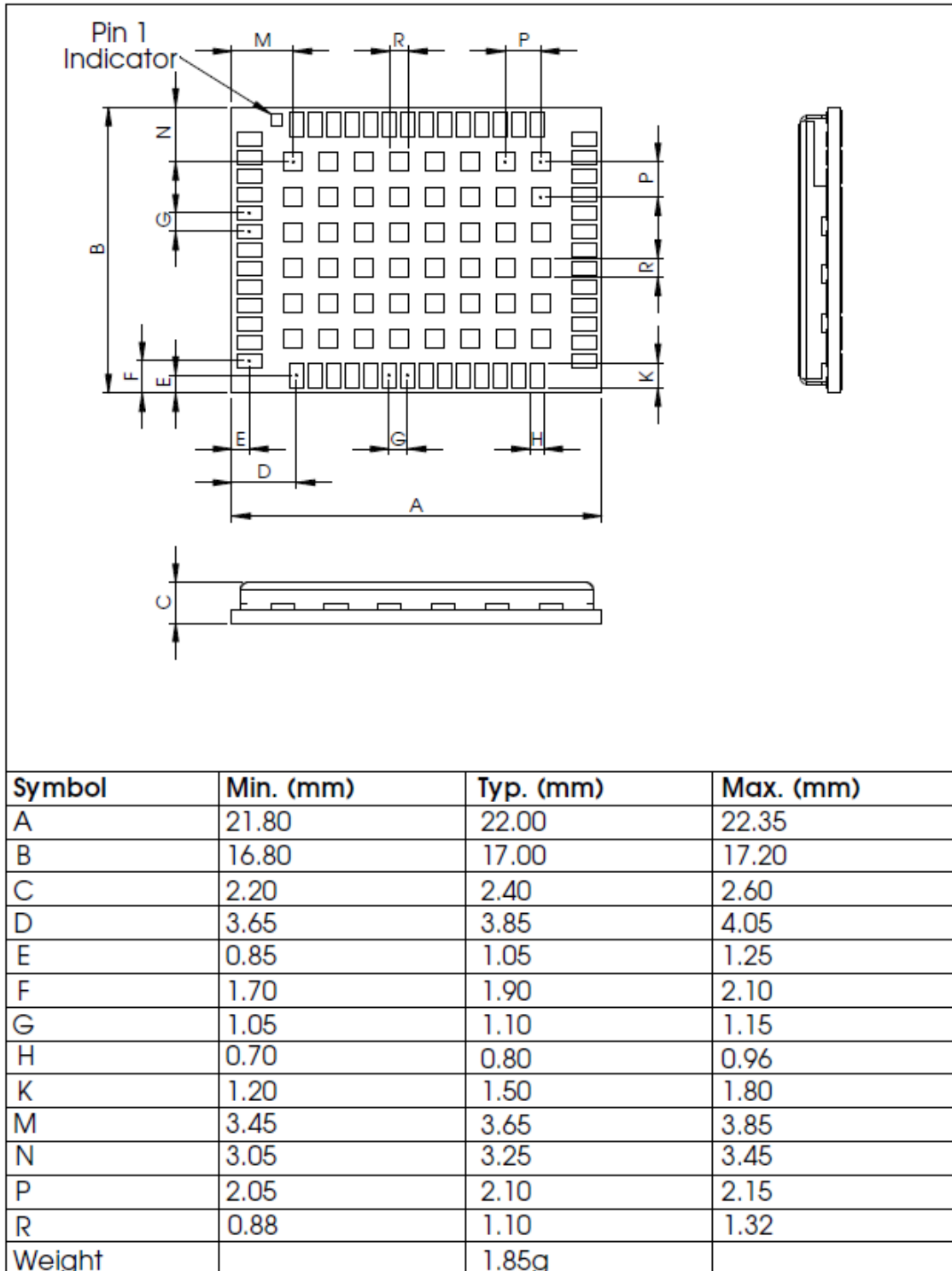


Figure 5: ZED-F9T-10B mechanical drawing

7 Reliability tests and approvals

ZED-F9T-10B modules are based on AEC-Q100 qualified GNSS chips.

Tests for product family qualifications comply with ISO 16750 "Road vehicles – environmental conditions and testing for electrical and electronic equipment", and appropriate standards.

7.1 Approvals

ZED-F9T-10B complies with the essential requirements and other relevant provisions of the Radio Equipment Directive (RED) 2014/53/EU.

ZED-F9T-10B complies with the Directive 2011/65/EU (EU RoHS 2) and its amendment Directive (EU) 2015/863 (EU RoHS 3).

The Declaration of Conformity (DoC) is available on the [u-blox website](#).

8 Labeling and ordering information

This section provides information about product labeling and ordering. For information about moisture sensitivity level (MSL), product handling and soldering see the Integration manual [1].

8.1 Product labeling

The labeling of the ZED-F9T-10B modules provides product information and revision information. For more information contact u-blox sales.

8.2 Explanation of product codes

Three product code formats are used in the ZED-F9T-10B labels. The **Product name** used in documentation such as this data sheet identifies all u-blox products, independent of packaging and quality grade. The **Ordering code** includes options and quality, while the **Type number** includes the hardware and firmware versions.

Table 19 below details these three formats.

Format	Structure	Product code
Product name	PPP-TGV	ZED-F9T
Ordering code	PPP-TGV-NNQ	ZED-F9T-10B
Type number	PPP-TGV-NNQ-XX	ZED-F9T-10B-01

Table 19: Product code formats

The parts of the product code are explained in Table 20.

Code	Meaning	Example
PPP	Product family	ZED
TG	Platform	F9 = u-blox F9
V	Variant	T = Timing
NNQ	Option / Quality grade	NN: Option [00...99] Q: Grade, A = Automotive, B = Professional
XX	Product detail	Describes hardware and firmware versions

Table 20: Part identification code

8.3 Ordering codes

Ordering code	Product	Remark
ZED-F9T-10B	u-blox ZED-F9T	

Table 21: Product ordering codes



Product changes affecting form, fit or function are documented by u-blox. For a list of Product Change Notifications (PCNs) see our website at: <https://www.u-blox.com/en/product-resources>.

Related documents

- [1] ZED-F9T Integration manual, [UBX-21040375](#)
- [2] TIM 2.20 Interface description [UBX-21048598](#)
- [3] Radio Resource LCS Protocol (RRLP), (3GPP TS 44.031 version 11.0.0 Release 11)



For regular updates to u-blox documentation and to receive product change notifications please register on our homepage <https://www.u-blox.com>.

Revision history

Revision	Date	Name	Status / comments
R01	08-Aug-2020	byou/dama	Objective specification
R02	15-Dec-2020	byou	Objective specification Minor text/typo fixes, Alt. limit change to 80km, QZSS sec. updated,USB certification info. added. NMEA ZDA mess. added to default list,AU office No. update.
R03	16-Apr-2021	byou	Advance Information FW ver. TIM2.11
R04	15-Jun-2021	rzuo	Advance Information FW ver. TIM2.13
R05	28-Jun-2021	byou	Early production information
R06	07-Jan-2022	byou	Early production information FW version TIM2.20; section 1.2: navigation rates updated; section 1.3: NavIC L5 signal enabled; section 4.1: Abs. max. ratings updated; Related docs updated.
R07	18-Apr-2023	vema	Updated I2C and SPI timing specifications in section Communications interfaces Updated VCC_RF output current in table Absolute maximum ratings Updated backup current in table Operating conditions Added timepulse details in table Operating conditions

Contact

u-blox AG

Address: Zürcherstrasse 68
8800 Thalwil
Switzerland

For further support and contact information, visit us at www.u-blox.com/support.