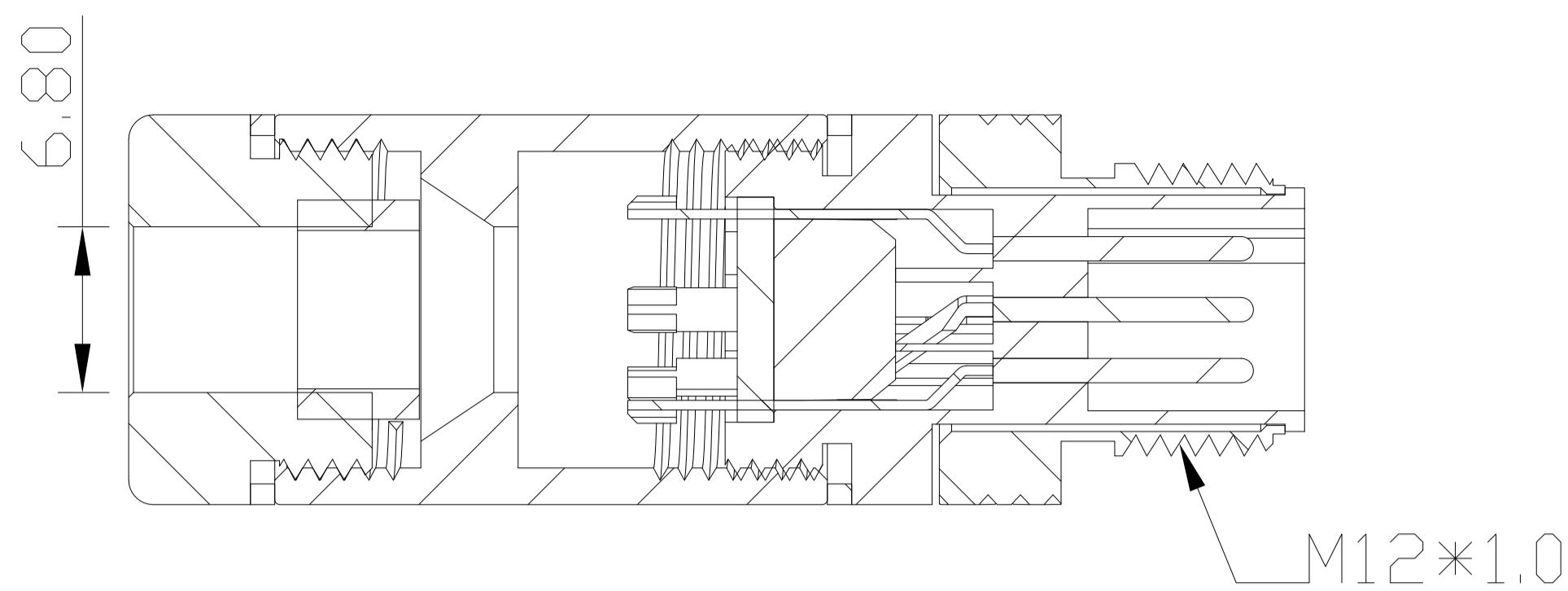
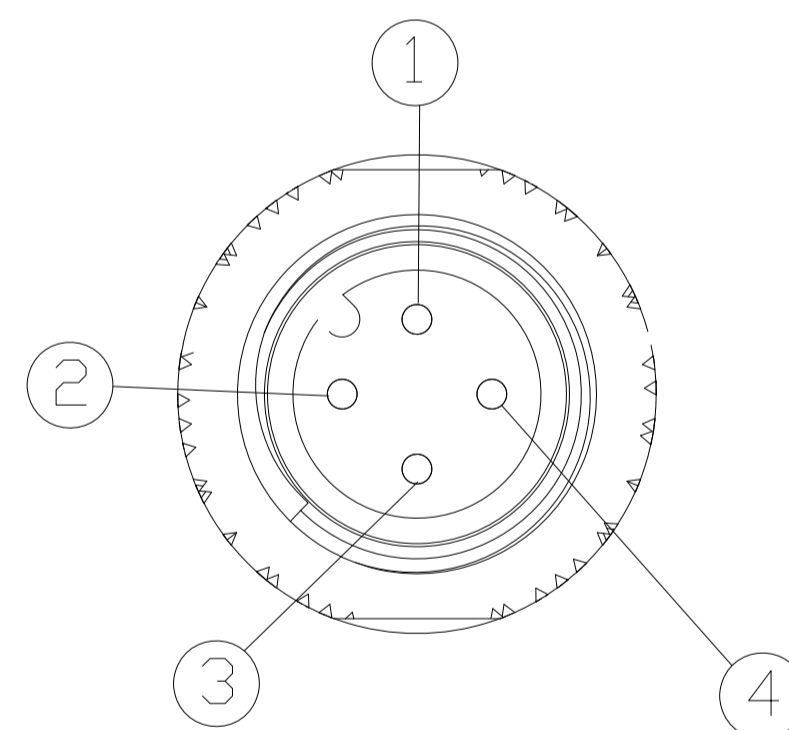
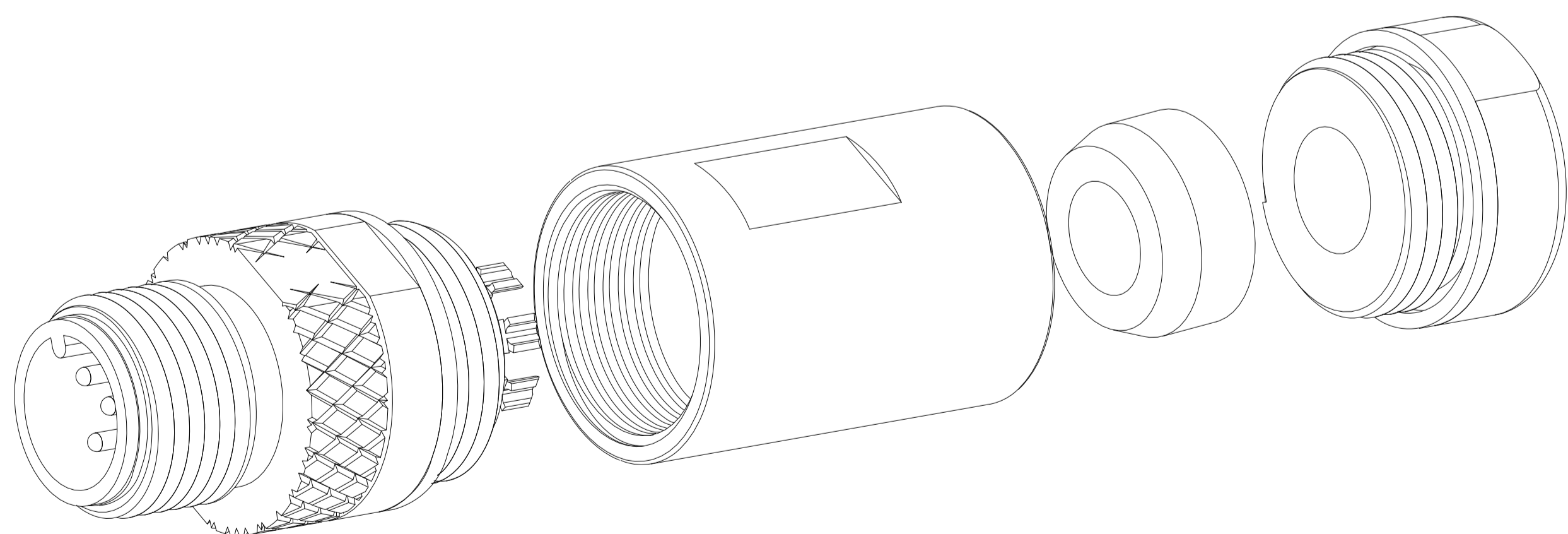
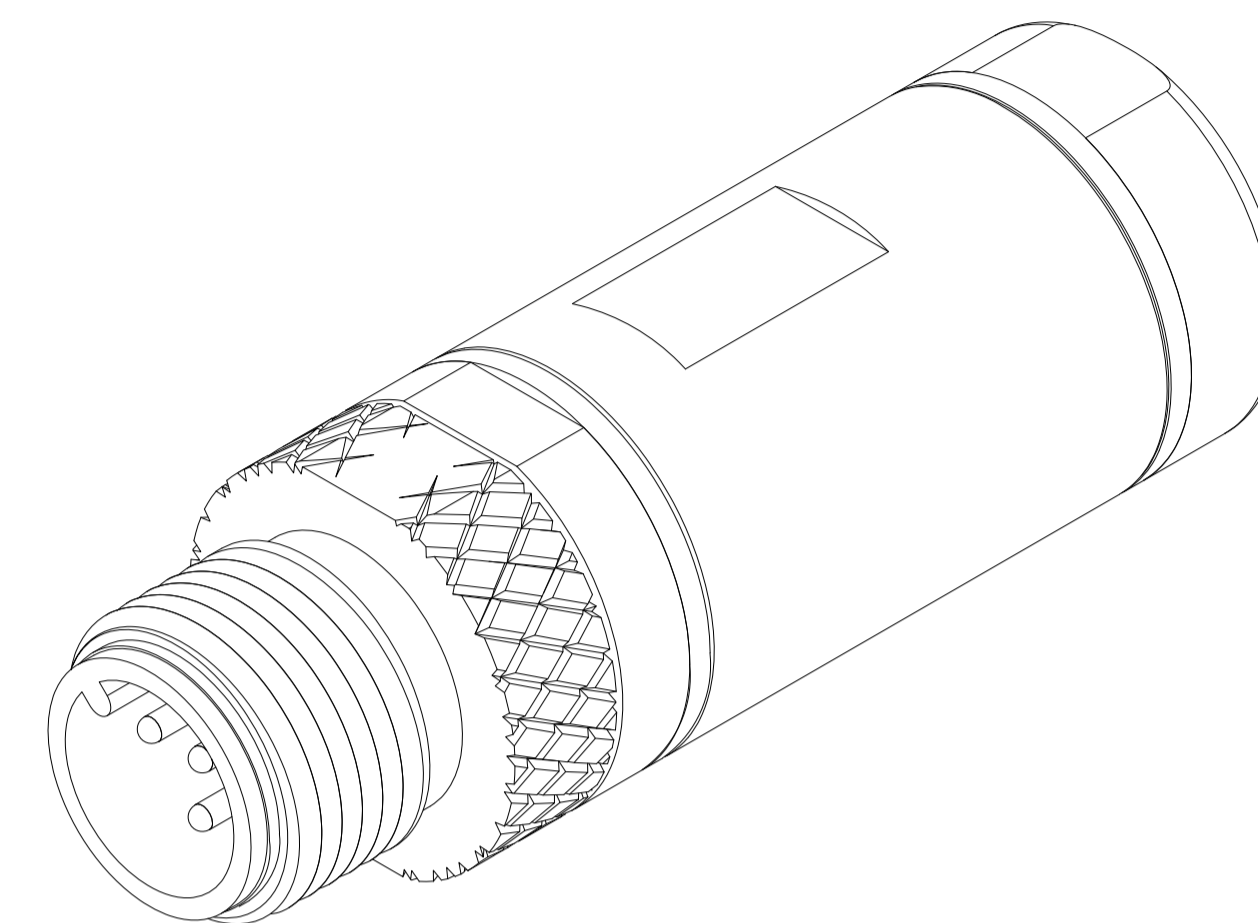
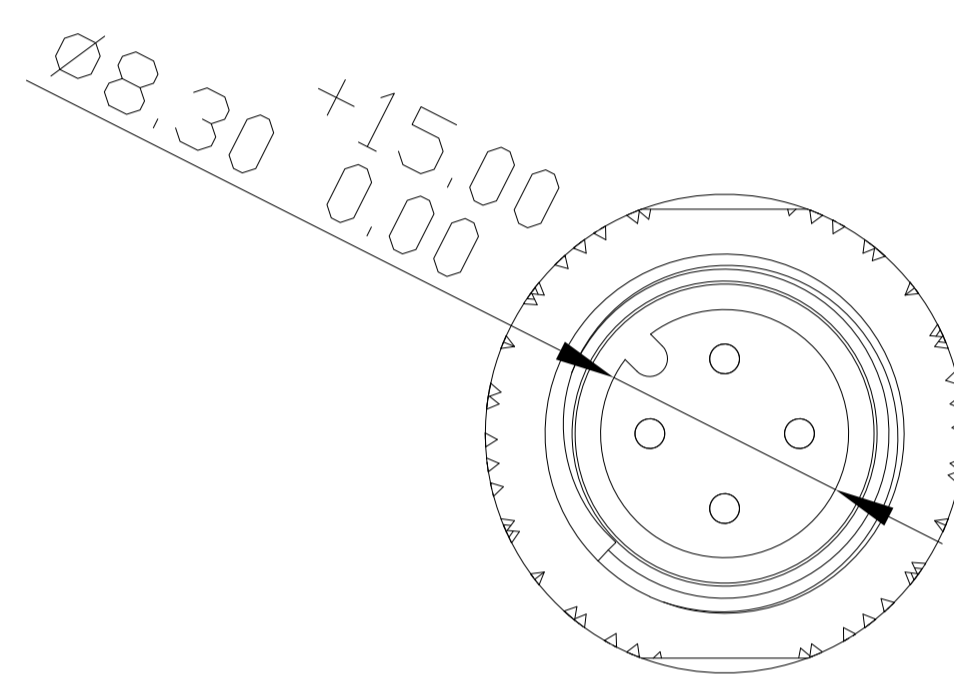
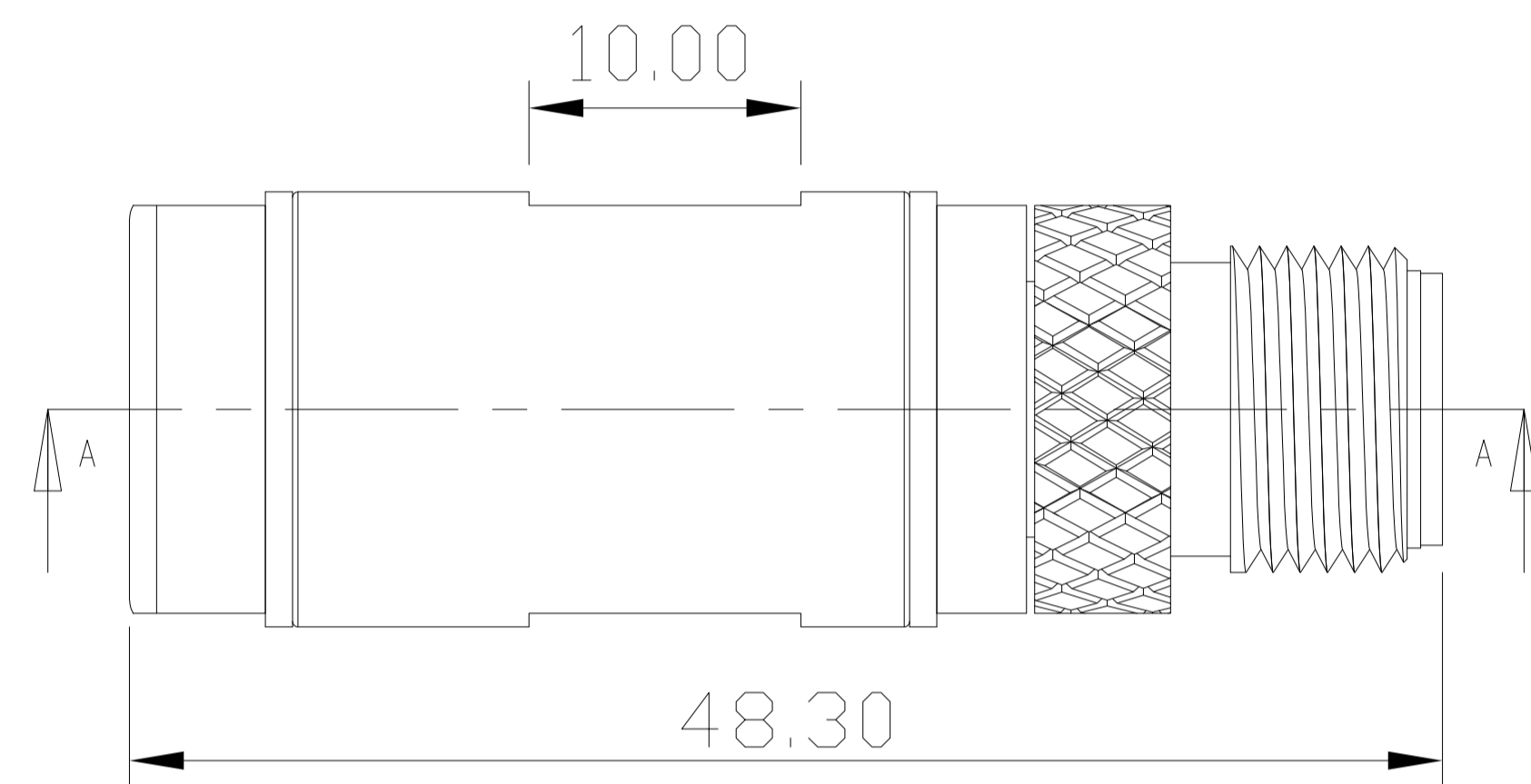
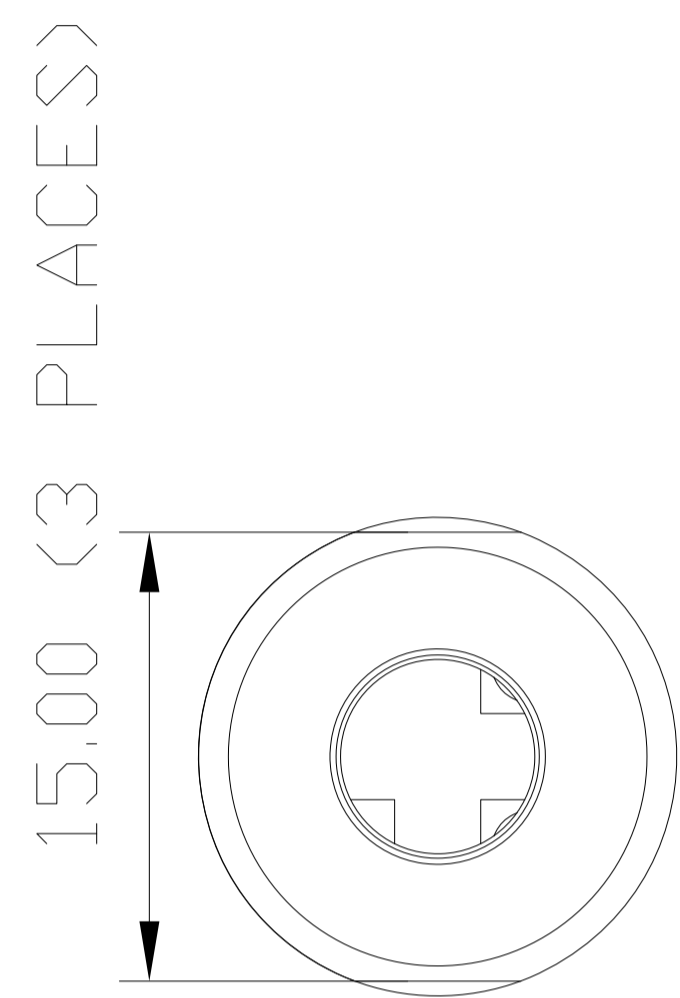


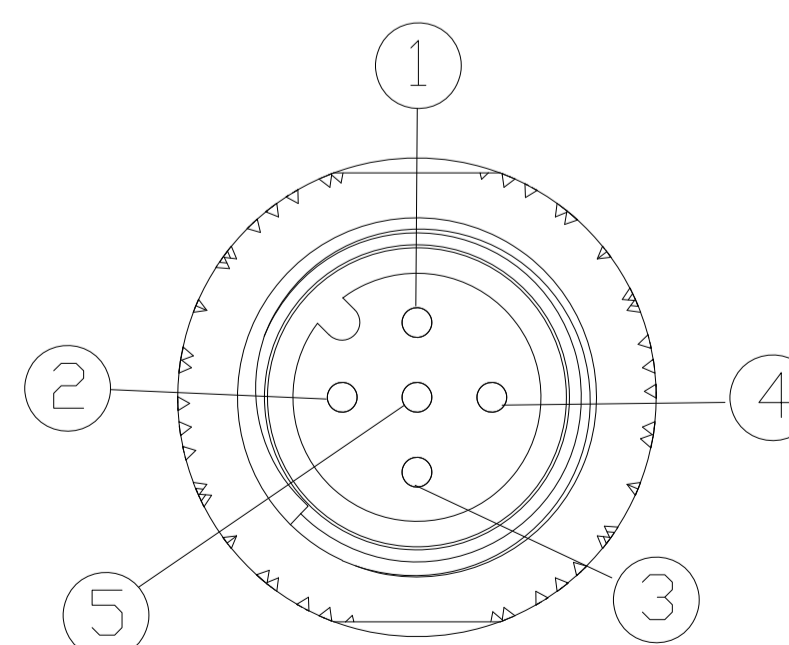
| DATE | REV | REVISION CHANGES | ECN | APP'D. BY |
|----------|-----|------------------|-----|-----------|
| 09/19/18 | A0 | AS DRAWN | - | ADB |



SECTION A-A



A-CODE (4 PIN)



A-CODE (5 PIN)

NOTES:

- CONNECTOR MATERIALS:
HOUSING: THERMOPLASTIC UL94 V-0
CONTACTS/SHIELD: COPPER ALLOY
O-RING MATERIAL: SILICONE UL94 V-0
EPOXY POTTING COMPOUND IN REAR CAVITY
SHIELD PLATING: NICKEL
CONTACT PLATING: SELECTIVE GOLD (1 µIN) OR EQUIVALENT IN THE CONTACT AREA
- FOR PRODUCT SPECIFICATIONS SEE PR039-01
- DIMENSIONS AND TOLERANCES COMPLY WITH IEC 61076-2-101 STANDARD.
- PLUG ACCOMMODATES CABLE Ø6.00 - 6.50
- CODING: A-STANDARD
- TIN PLATED SOLDER CUP CONTACTS ACCOMMODATE 22 AWG WIRE
- CURRENT RATING: 4 AMPS MAX
- INSULATION RESISTANCE: 100 MOHMS MIN @ 500 VDC
- DEGREE OF PROTECTION: IP67
- TEMPERATURE RANGE: -20°C TO +85°C
- MATING CYCLES: 100 INSERTIONS

| | |
|--------------------|--------------|
| 5 | SS-12000-018 |
| 4 | SS-12000-017 |
| NUMBER OF CONTACTS | PART NUMBER |

THIRD ANGLE PROJECTION

DO NOT SCALE DRAWING
DRAWING IS SUBJECT TO CHANGE WITHOUT NOTICE

UNLESS OTHERWISE SPECIFIED
DIMENSIONS: METRIC
TOLERANCES ARE ±0.13 (.005)
ANGLES ARE ±1°

SHEET NO. 1 OF 1

stewart
CONNECTOR
a bel group

11118 Susquehanna Trail South
Glen Rock, PA 17327-9199
(717) 235-7512
<http://www.stewartconnector.com>

TITLE: FIELD TERMINATED PLUG WITH SOLDER CUP CONTACTS
M12-A CODE, MALE

THIS DRAWING AND THE SUBJECT MATTER SHOWN THEREON ARE CONFIDENTIAL AND THE PROPRIETARY PROPERTY OF STEWART CONNECTOR AND SHALL NOT BE REPRODUCED, COPIED, OR USED IN ANY MANNER WITHOUT PRIOR WRITTEN CONSENT OF STEWART CONNECTOR. ONE OR MORE U.S. PATENTS MAY APPLY TO THIS PRODUCT. FOR DETAILS, PLEASE VISIT: [HTTP://BELFUSE.COM/STEWART/STEWART_PATENTS/](http://BELFUSE.COM/STEWART/STEWART_PATENTS/)

DRN BY: BTS DATE: 08/31/18
APP'D BY: ADB DATE: 09/19/18
DWG NO.: CT120009 REV: A0

