

MODEL:

# SRW12U13

## SmartRack® Slim Wall-Mount Rack Enclosure Cabinet



12 Rack Units



200 lb Load Rating



Sturdy Steel Construction



Locking Doors & Side Panels



Standard 19" Rack Width



Convenient Cable Access



Adjustable Mounting Rails



Ventilated for Ample Airflow



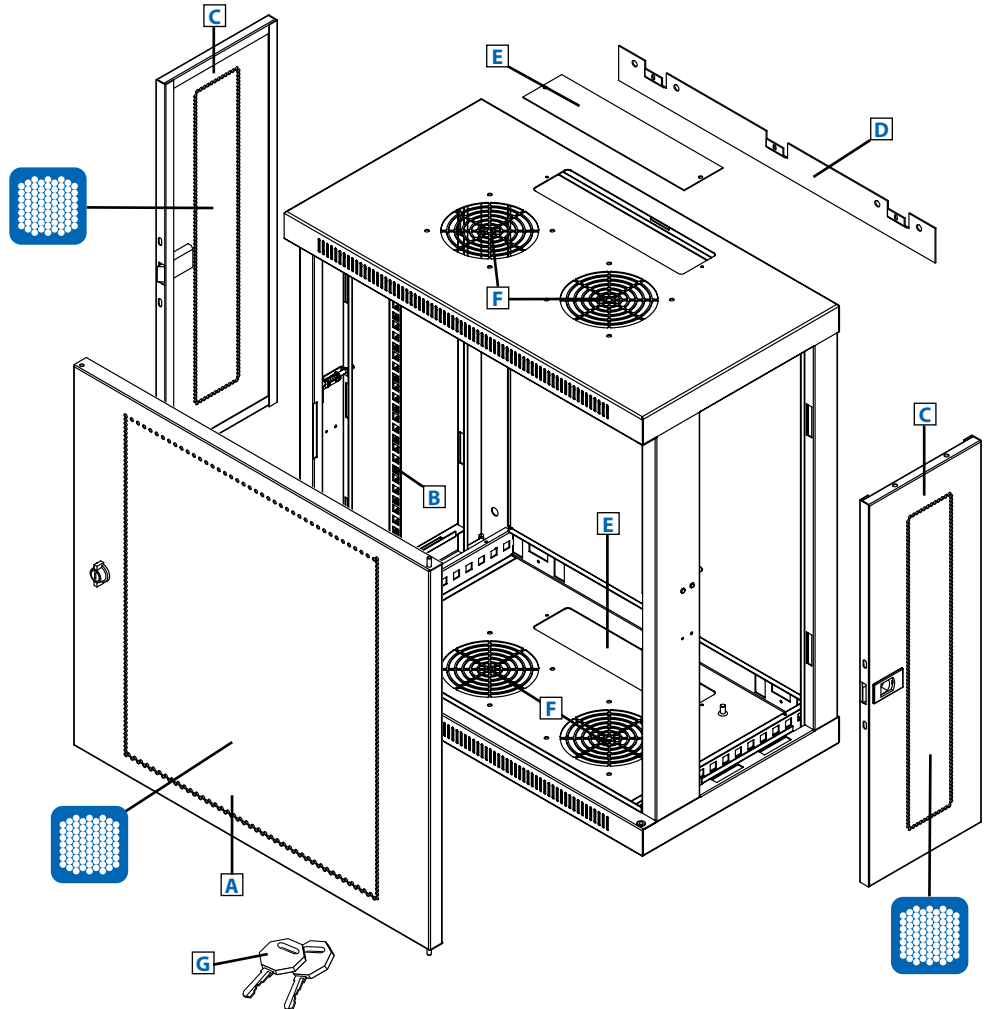
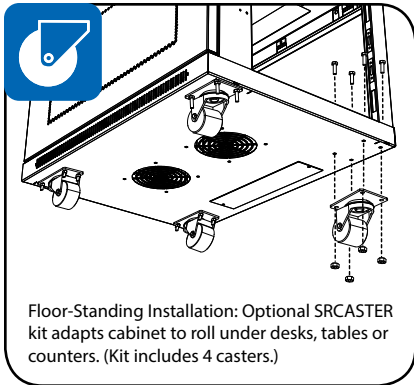
Reversible Cabinet



Square Hole Mounting

- A** Front Door (Lockable/Removable/Reversible)
- B** Adjustable Mounting Rails (4)
- C** Side Panels (2) (Lockable/Removable)
- D** Mounting Plate (Removable. Includes mounting hooks for cabinet.)
- E** Cable Access Port Covers (2) (Removable)
- F** Ventilation Fan Ports (4) (Support optional SRFANWM fan kit.)
- G** Keys (2)

Also Includes: Owner's manual, mounting plate screws (3), cabinet ground screw, pre-installed front door ground wire and rackmount equipment mounting hardware (12 cage nuts, 12 mounting screws, 12 nylon cup washers).



- Wall-mount enclosures provide convenient, locking storage for rackmount IT devices and other equipment that should be off the floor, out of the way and secure
- The cabinet is fully reversible, allowing installers to change door hinges from left to right by simply rotating the unit 180 degrees before mounting

**SEE NEXT PAGE FOR DETAILED UNIT MEASUREMENTS**



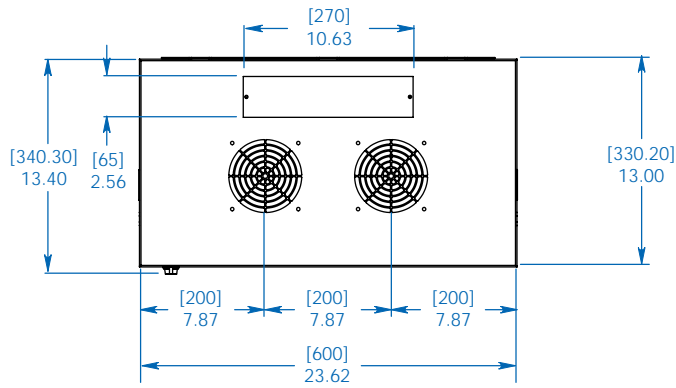
1111 W. 35th Street  
Chicago, IL 60609 USA  
773.869.1234  
www.tripplite.com

### Specifications

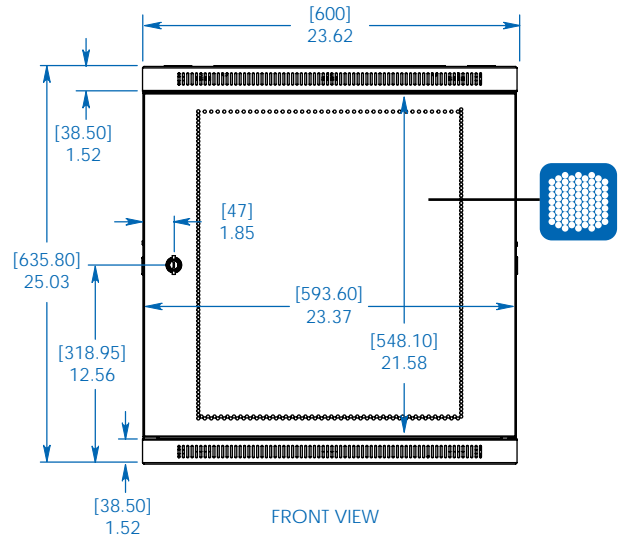
Model	SRW12U13
Rack Spaces	12U
Equipment Mounting Depth	Up to 13 in (330.2 mm)
Load Rating*	200 lb (90.7 kg)
Unit Dimensions (H x W x D)	25.08 x 23.6 x 13 in (637 x 599.4 x 330.2 mm)
Shipping Dimensions (H x W x D)	27.56 x 25.6 x 15.75 in (700 x 650.2 x 400.1 mm)
Unit Weight	38 lb (17.2 kg)
Shipping Weight	40 lb (18.1 kg)
Standards	Meets EIA-310-E, NOM and RoHS standards

\* The load rating includes the combined weight of the unit and installed equipment. The unit must be mounted to a stable surface with user-supplied anchors capable of bearing the full load. Tripp Lite has a policy of continuous improvement. Specifications are subject to change without notice.

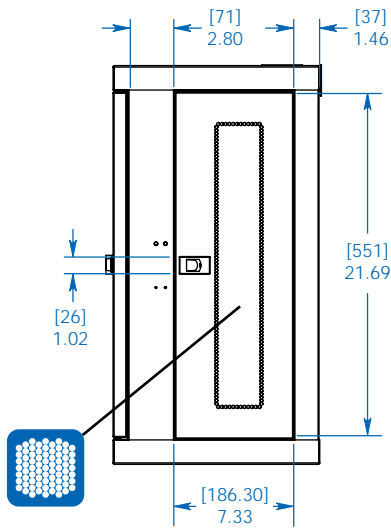




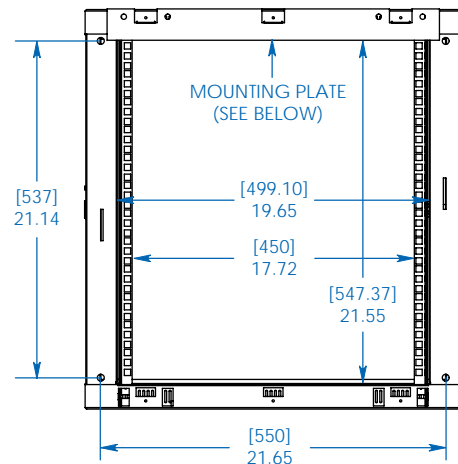
TOP/BOTTOM VIEW



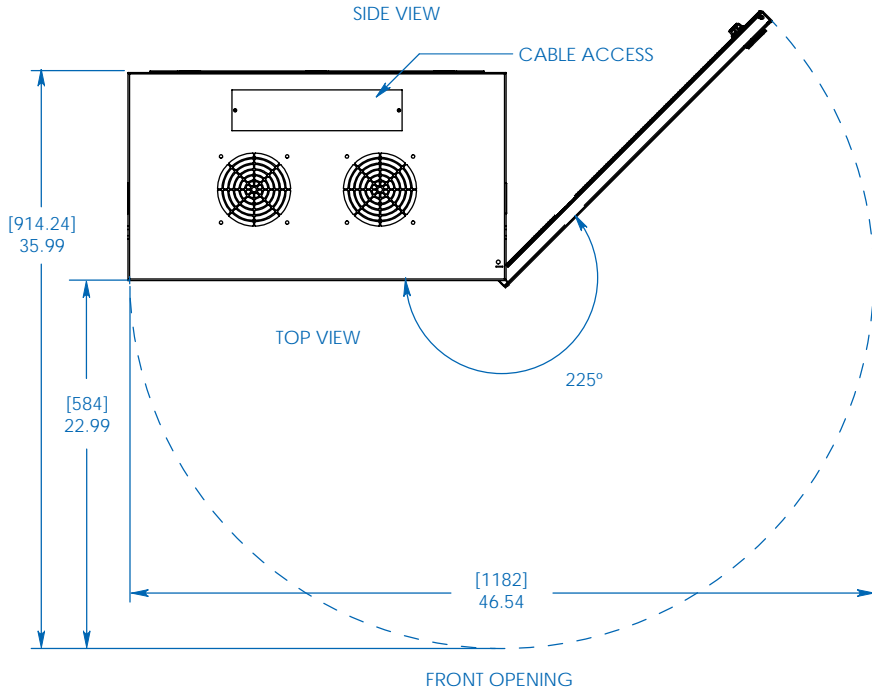
FRONT VIEW



SIDE VIEW

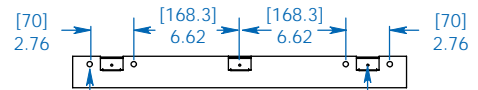


REAR VIEW



TOP VIEW

FRONT OPENING



MOUNTING PLATE

USER-SUPPLIED  
M8 OR 5/16"  
BOLTS ANCHOR  
PLATE TO WALL

INCLUDED  
SCREWS  
SECURE  
HOOKS TO  
CABINET

MODEL:  
**SRW12U13**

**TRIPP-LITE**

1111 W. 35th Street  
Chicago, IL 60609 USA  
773.869.1234

[www.triplite.com](http://www.triplite.com)

Dimensions: [mm] INCHES

Tripp Lite has a policy of continuous improvement. Specifications are subject to change without notice.