

## HANDLE SHANKS

Black anodised extruded aluminium, matte finish.  
Threaded blind holes.

## TUBE

Ground aluminium anodised in natural colour.

## FITTING ENDS

Glass-fibre reinforced polyamide based (PA) technopolymer, black colour.

## FEATURES AND APPLICATION

RH-W5 handles are generally used on sliding doors or covers of machines and equipments.

## ORDER INFORMATION

The components of RH-W5 handle may also be ordered separately (see table RH-CC) to obtain customisable lengths or to add a connecting support, recommended for lengths over 700 mm.

## SPECIAL EXECUTIONS ON REQUEST

- Different lengths.
- Anodised aluminium tube, black colour.
- Handle shanks in aluminium, anodised in natural colour.

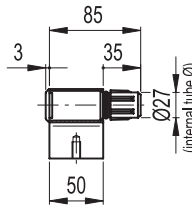


## RH-CC

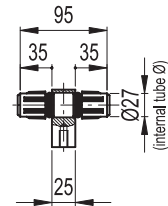
METRIC

Code	⚖️
RHW5-30.LR50.14	200
RHW1-30.VR25.14	121
RHW5-30.RR50.14	202
RHW1-30.001.01	345

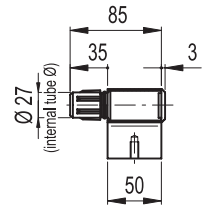
RHW5-30.LR50.14  
(Left handle shank)



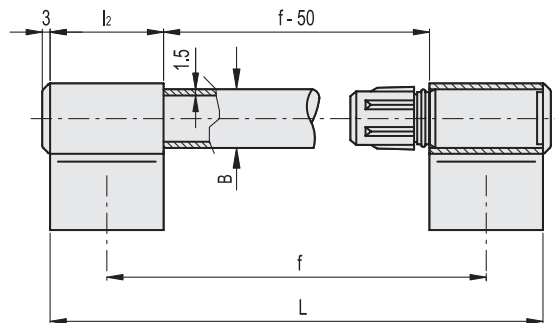
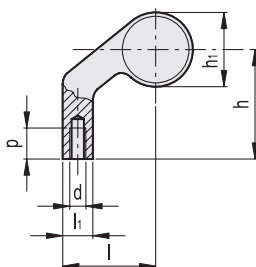
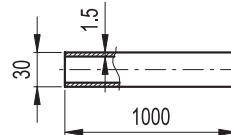
RHW1-30.VR25.14  
(T-shaped connecting joint)



RHW5-30.RR50.14  
(Right handle shank)



RHW1-30.001.01  
(Tube)



Conversion Table 1 mm = 0.039 inch	
mm	inch
250	9.84
350	13.78
550	21.65

Code	f	L	d	p	B	h	h1	l	l1	l2	⚖️
RHW5-30.R200.S01	200	250	M8	15	30	50	33	45	15	50	466
RHW5-30.R300.S01	300	350	M8	15	30	50	33	45	15	50	493
RHW5-30.R500.S01	500	550	M8	15	30	50	33	45	15	50	554