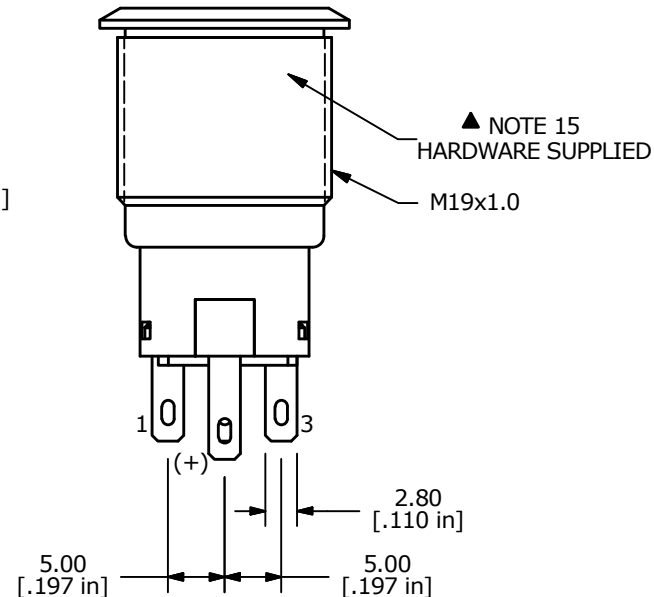
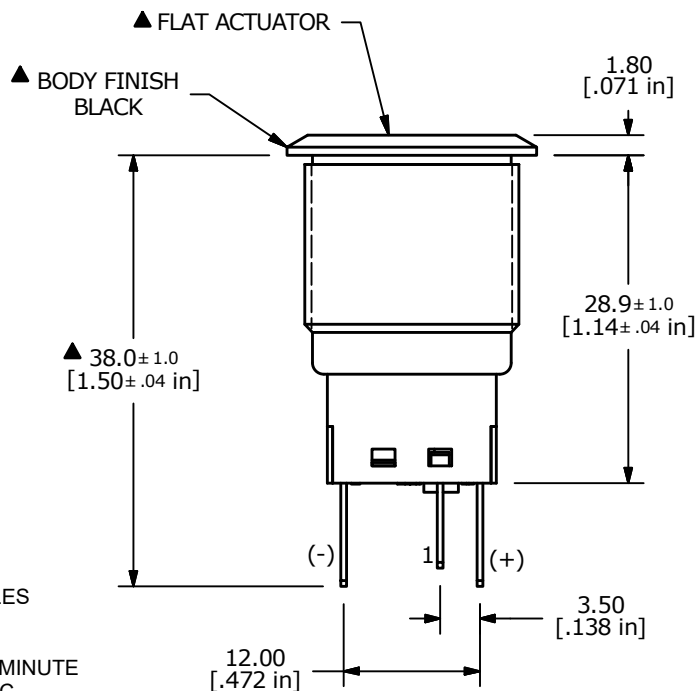
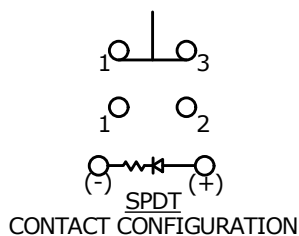
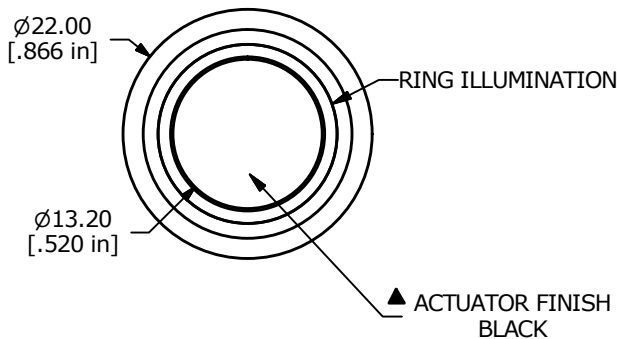


SWITCH FUNCTION	
POS. 1	POS. 2
ON	ON
1-3	1-2

(ON) = MOMENTARY



NOTE:

1. ALL DIMENSIONS IN MM [INCH]
2. GENERAL TOLERANCE: X.X=±0.4
X.XX=±0.25
3. TERMINAL NUMBERS FOR REF ONLY
- ▲ 4. CONTACT MATERIAL: SILVER
5. RATING: 2A 24VDC
6. ELECTRIC LIFE: 50,000 MAKE-AND-BREAK CYCLES AT FULL LOAD.
7. INSULATION RESISTANCE: 1,000 MΩ MIN.
8. DIELECTRIC STRENGTH: 2,000 VAC MIN. FOR 1 MINUTE
9. CONTACT RESISTANCE: 50mΩ MAX. @ 1A 12VDC
10. OPERATING TEMP.: -20°C to 55°C
- ▲ 11. TRAVEL: 2.8mm
12. ▲ DENOTES CRITICAL PARAMETER.
- ▲ 13. LAMP VOLTAGE: 24V
14. INGRESS PROTECTION: IP67
15. HARDWARE SUPPLIED: O-RING AND HEXNUT
- ▲ 16. ILLUMINATION COLOR: BLUE



B	23599	UPDATED RATING TO 2A @ 24VDC	10/9/18	MJR
A	21014	RELEASE FOR PRODUCTION	2/19/13	EBP
REV	PCR NO	DESCRIPTION	DATE	BY

TITLE PV4F23011-345				
SCALE 3:2	DATE 2/19/2013	DR EBP	DWG 52-PV4F23011345	REV B

THE INFORMATION CONTAINED IN THIS DOCUMENT IS PROPRIETARY TO E-SWITCH AND IS NOT TO BE COPIED OR TRANSFERRED