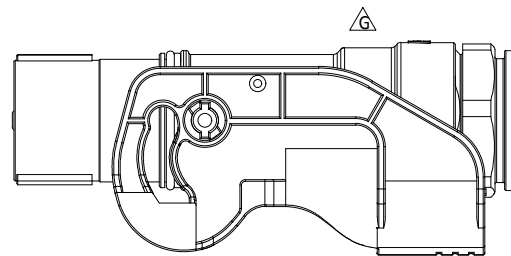
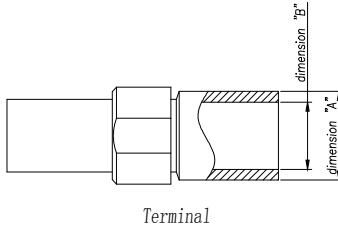
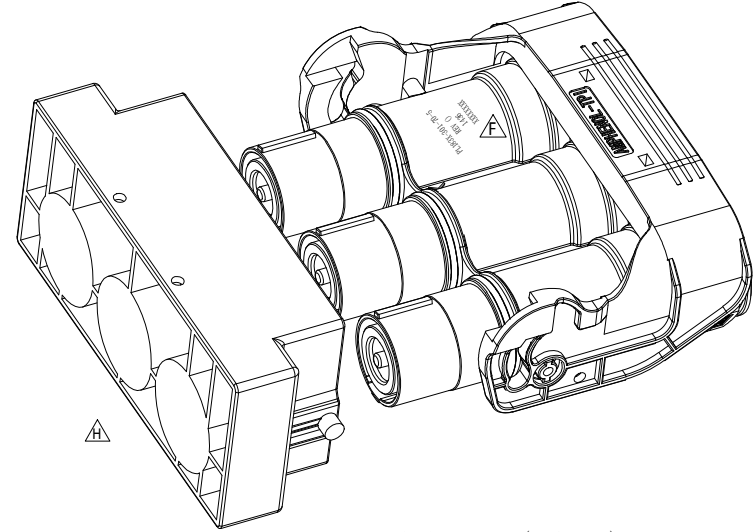
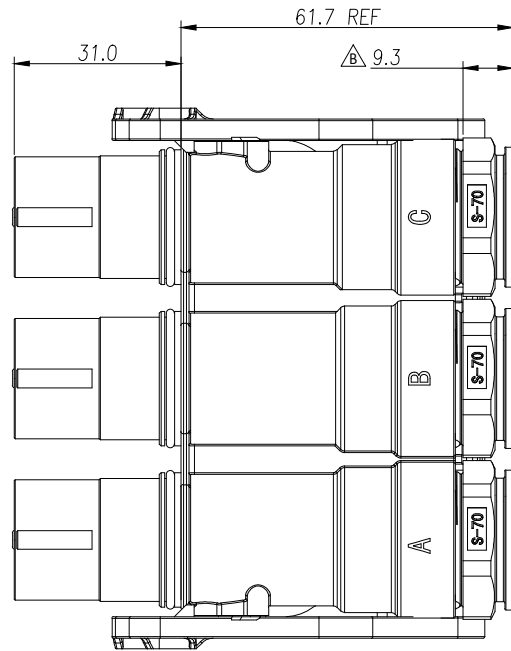
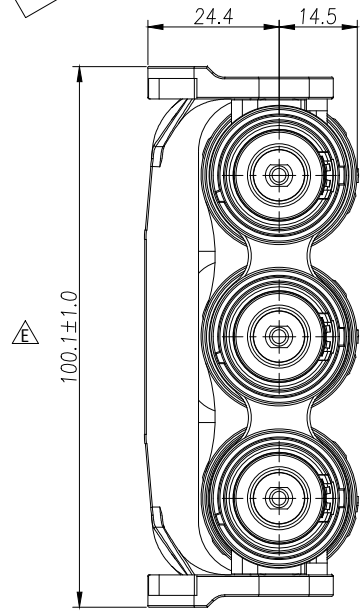


THIS DRAWING IS SUPPLIED FOR INFORMATION ONLY. DESIGN FEATURES, SPECIFICATIONS AND PERFORMANCE DATA SHOWN HEREON ARE THE PROPERTY OF THE AMPHENOL CORPORATION. NO RIGHTS OF REPRODUCTION ARE IMPLIED. ALL DIMENSIONS ARE SUBJECT TO NORMAL MANUFACTURING VARIATIONS.

Customer Drawing

A  
B  
C  
D  
E  
F



		REVISIONS				
REV	ZONE	ECO	DESCRIPTION	DATE	BY	APPR
A	--	--	INITIAL RELEASE	05/06/16	KC	GX
E	--	--	Change dimension tolerance	10/25/19	Steven	JL
F	--	--	Add printing version number	06/15/20	Steven	JL
G	--	E200812	update metal housing(35,50&70mm2) and cable seal(for 50mm2)	08/25/20	STEVEN	JL
H	--	--	Add Protection Cap	09/10/20	Steven	JL

- 规格参数 (Spec.):
1. 工作温度 Operating temperature: -40° C~+125° C.
  2. 额定电流 Current rating (Connector Only):  
35mm<sup>2</sup>:150A; 50mm<sup>2</sup>:200A; 70mm<sup>2</sup>:250A;  $\Delta$
  3. 额定电压 Operating voltage:1000 VDC.
  4. 耐电压 Dielectric withstanding voltage: 5000 VDC.
  5. 防护等级 Protection class:IP67 & IP2X.
  6. 电磁屏蔽 Shielding.
  7. 机械寿命 Mating cycle:100 Min.  $\Delta$
  8. 带自动二次锁扣 Automatic secondary lock.
  9. 带高压互锁 Electrical interlock (HVIL).

订购信息 Ordering Information

PL18 3 X - 30 1 - 70 - 5

键位及颜色 Key "X" Key "Y" Key	高压互锁 HVIL 0, 不带互锁 No HVIL 1, 带互锁 With HVIL	线缆大小 Cable Size "70"=70mm <sup>2</sup> "50"=50mm <sup>2</sup> "35"=35mm <sup>2</sup>
---------------------------------	--	---

Standard Part List (With HVIL)

Model NO.	REV	overall-diameter nominal (mm)	Dia Primary Insulation (mm)	outside-diameter of terminal (mm): "A"	inside-diameter of terminal (mm): "B"
PL183X-301-35-5	G	12.7±0.3	$\Delta$ 9.7±0.3	$\Delta$ 11.8±0.3	$\Delta$ 8.8±0.3
PL183Y-301-35-5					
PL183X-301-50-5					
PL183Y-301-50-5	G	14.9±0.3	$\Delta$ 11.5±0.3	$\Delta$ 14.5±0.3	$\Delta$ 10.3±0.3
PL183X-301-70-5					
PL183Y-301-70-5	G	17.0±0.3	$\Delta$ 13.7±0.3	$\Delta$ 16.5±0.3	$\Delta$ 12.5±0.3
PL183Y-301-70-5					

Standard Part List (Without HVIL)

Model NO.	REV	overall-diameter nominal (mm)	Dia Primary Insulation (mm)	outside-diameter of terminal (mm): "A"	inside-diameter of terminal (mm): "B"
PL183X-300-35-5	G	12.7±0.3	$\Delta$ 9.7±0.3	$\Delta$ 11.8±0.3	$\Delta$ 8.8±0.3
PL183Y-300-35-5					
PL183X-300-50-5					
PL183Y-300-50-5	G	14.9±0.3	$\Delta$ 11.5±0.3	$\Delta$ 14.5±0.3	$\Delta$ 10.3±0.3
PL183X-300-70-5					
PL183Y-300-70-5	G	17.0±0.3	$\Delta$ 13.7±0.3	$\Delta$ 16.5±0.3	$\Delta$ 12.5±0.3
PL183Y-300-70-5					



Amphenol Technical Products International Asia.

第三角投影 THIRD ANGLE PROJECTION	页面 SHEET	幅面 SIZE	版次 REV.	比例 SCALE	PART NAME: PwrLok 10mm 3POS Plug Conn
$\Phi$	1 of 1	A3	H		DWG NO: PL183()-30()-()-5
签名 SIGNATURE Steven	日期 DATE 09/10/20	UNLESS OTHERWISE SPECIFIED 1) All dimensions are in metric(mm). 2) Tolerances are as follows: 0 PL DEC ±1.00 1 PL DEC ±0.50 2 PL DEC ±0.20			CUST PART #: N/A
制图 DRAWN	审核 CHECKED	批准 APPROVAL	CUST REV. -		

1 2 3 4 5 6 7 8