

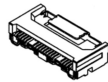
### Features

Compatibel with IRISO's  
IMSA Auto-i-Lock series  
Datarate up to 10Gbit/sec  
Impedance 100Ω  
One side shielded  
High flexibility and softness

### Mating Connector:

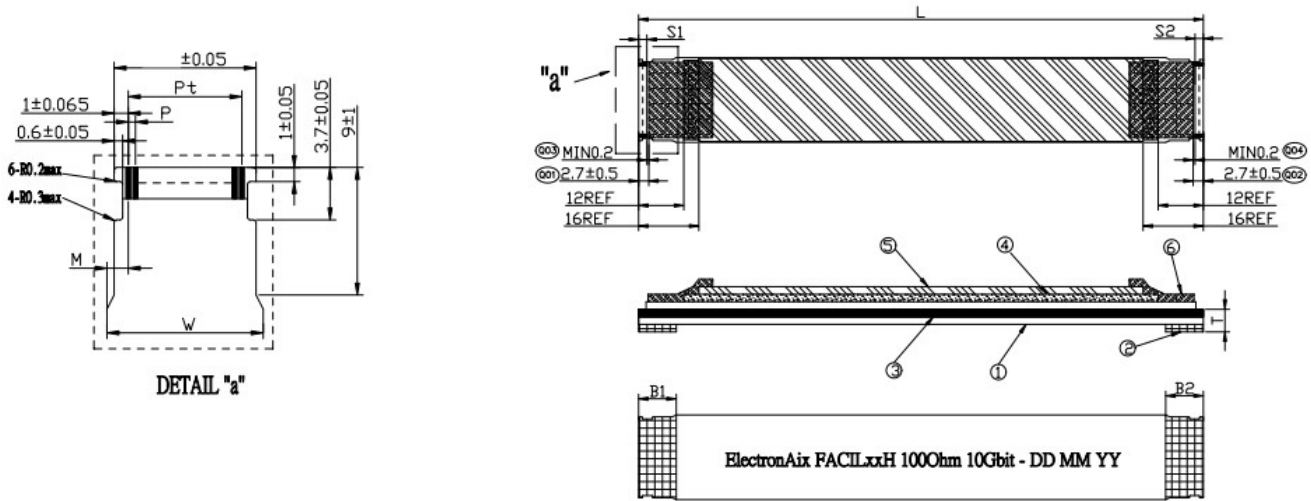
IMSA-11501S-xxY900 – 90° with GND Terminal

IMSA-11600S-xxY900 – 180° with GND Terminal



**FACIL-xx-H LVDS-FFC 10Gbit/sec 100Ω for IRISO IMSA Auto-i-Lock series**

**Dimension:**



Pitch	P	0.5	±0.05
Width	W	(N+5)x0.5	±0.07
Margin	M	1.5	±0.15
Insert Thickness	T	0.3	±0.05
Strip length	S1	2.2	±0.5
	S2	2.2	±0.5
Reinforcement tape length	S3	10*	±2
	S4	10*	±2
Inner length	IL	TL-(S1+S2)	±2
Total length	TL	LLL	±2
No. of pins	N	NN	
Conductor dimension	Thickness 1	0.032	±0.005
	Width	0.28	±0.03
Slanting	A	< 0.3	

\* or customized length

## FACIL-xx-H LVDS-FFC 10Gbit/sec 100Ω for IRISO IMSA Auto-i-Lock series

### Possible Types:

A = SAME = Same Side



Label or Print on this side: ElectronAix FACILxxH

B = OPP = Opposite Side



Label or Print on one side: ElectronAix FACILxxH.

### Partnumber:

<b>FACIL</b>			<b>P</b>		-	<b>22</b>		<b>23</b>	<b>GH</b>
<b>FACIL</b>	<b>T</b>	<b>NN</b>	<b>P</b>	<b>LLL</b>	-	<b>22</b>	<b>SS</b>	<b>23</b>	<b>GH</b>
									<i>Gold Plating High Speed</i>
									<i>Wire Dimension 0,28x0,032 no option</i>
							<b>SS= Supporter Tape Length; 10= Standard</b>		
							<i>Strip Length in mm – no option</i>		
				<b>LLL= Total Length in mm</b>					
				<i>P=Positions</i>					
		<b>NN= No of Wires: 10 to 80</b>							
	<b>T= Type: A= same Side / B= Opposite Side</b>								
<i>Product Series = FFC Aix Catcher Iriso LVDS</i>									

Number of wires/positions	Total length	Reinforcement tape lengths
NN	LLLL	S3 / S4
*1	*2	*3 / *3

### Contact us for customization

- Special print or labels
- Folding
- Double side shield
- Impedance 90Ohm for USB signals
- High temperature op to 125°C
- Super speed up to 17Gbit/sec
- Other wire dimension

### Environmental

The products meet EU RoHS Directive 2011/65/EU, including the delegated regulation (EU) 2015/863  
The products meet EU REACH Directive 1907/2006/EU



**Characteristics**

Item	Test Method	Specification
Flameability	UL	VW-1
Conductor resistance	JIS C3102 at 20°C	<2,0 Ohm/m
Insulation resistance	DC250V at 20°C	>100 MOhm
Dielectric withstanding voltage between conductors	AC250V 1min	No Breakdown
Rated Voltage / temperature	--	60V / 105°
Rated Current	--	0,3A
Continuity	DC3,0V 0,1mA Continuity Tester	No open /short circuit
Heat Resistance	85° 96hrs	Insulation and Dielectric withstanding Voltage pass
Temperature Cycling	-40° 4hrs +85° 4hrs 25° 1hr 5 Cycles	Insulation and Dielectric withstanding Voltage pass
Humidity	40°C 95% RH 96hrs	Insulation and Dielectric withstanding Voltage pass
Flexing	180° folding 180° Radius 25mm, speed 70 cycles / min., stroke 100mm.	>20 Cycles >100.000 Cycles
Insulation Elongation	JIS-K-6732	>60%
Insulation Tensile Strength	JIS-K-6732	>3,5Kg /mm <sup>2</sup>
Abrasion	0,5mm, 600g 60 cycles / min.	>10000cycles
Plating Thickness Test	--	Ni ≥ 0.5µm, AU ≥ 0.05µm