

4

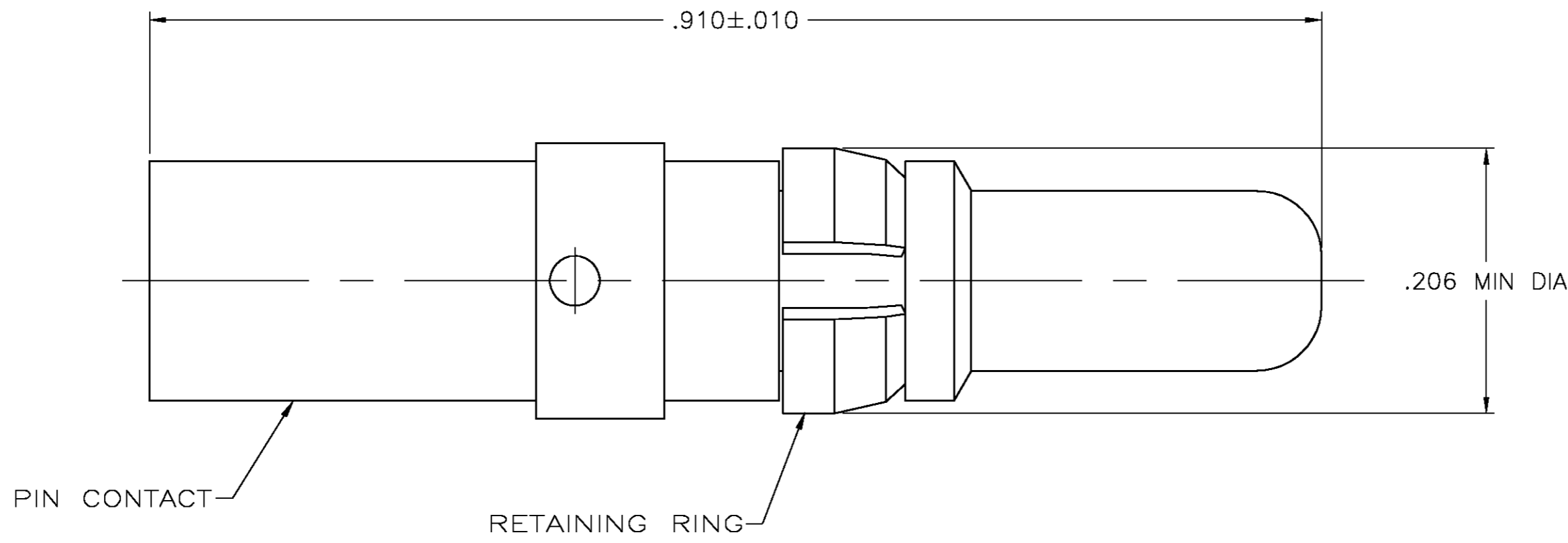
3

2

1

THIS DRAWING IS UNPUBLISHED. RELEASED FOR PUBLICATION
 © COPYRIGHT BY TYCO ELECTRONICS CORPORATION. ALL RIGHTS RESERVED.

LOC	DIST	REVISIONS					
FT	0	P	LTR	DESCRIPTION	DATE	DWN	APVD
		D		REVISED PER 0G3B-0008-04	1/12/04	SS	GS



213740-1
 PART NUMBER

- 1 BRASS.
- 2 PHOSPHOR BRONZE.
- 3 0.76 μm [.000030] MIN GOLD OVER 1.27 μm [.000050] MIN NICKEL.
- 4 2.54 μm [.000100] MIN NICKEL.

THIS DRAWING IS A CONTROLLED DOCUMENT.		DWN	01/23/92		 Tyco Electronics Corporation Harrisburg, PA 17105
DIMENSIONS: INCHES		L.SIPE	2-7-92		
TOLERANCES UNLESS OTHERWISE SPECIFIED:		CHK	R.STONE		NAME PIN CONTACT ASSEMBLY, #10 AWG, POWER VIII, METRIMATE
0 PLC ± -		APVD	-		
1 PLC ± -		PRODUCT SPEC	108-1317		SIZE CAGE CODE DRAWING NO A2 00779 C=213740
2 PLC ± -		APPLICATION SPEC	114-10014		
3 PLC ± .005		WEIGHT	-		RESTRICTED TO -
4 PLC ± -		CUSTOMER DRAWING	SCALE 10:1 SHEET 1 OF 1 REV D		
ANGLES ± -					
MATERIAL					
PIN CONTACT: 1					
RETAINING RING: 2					
FINISH					
PIN CONTACT: 3					
RETAINING RING: 4					