

THIS DRAWING IS UNPUBLISHED.

RELEASED FOR PUBLICATION

2011

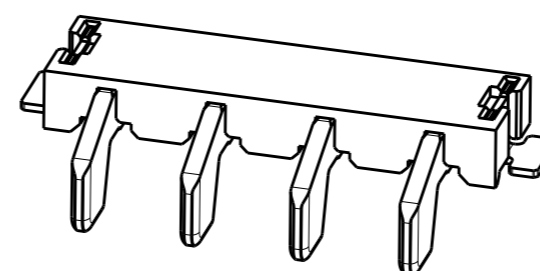
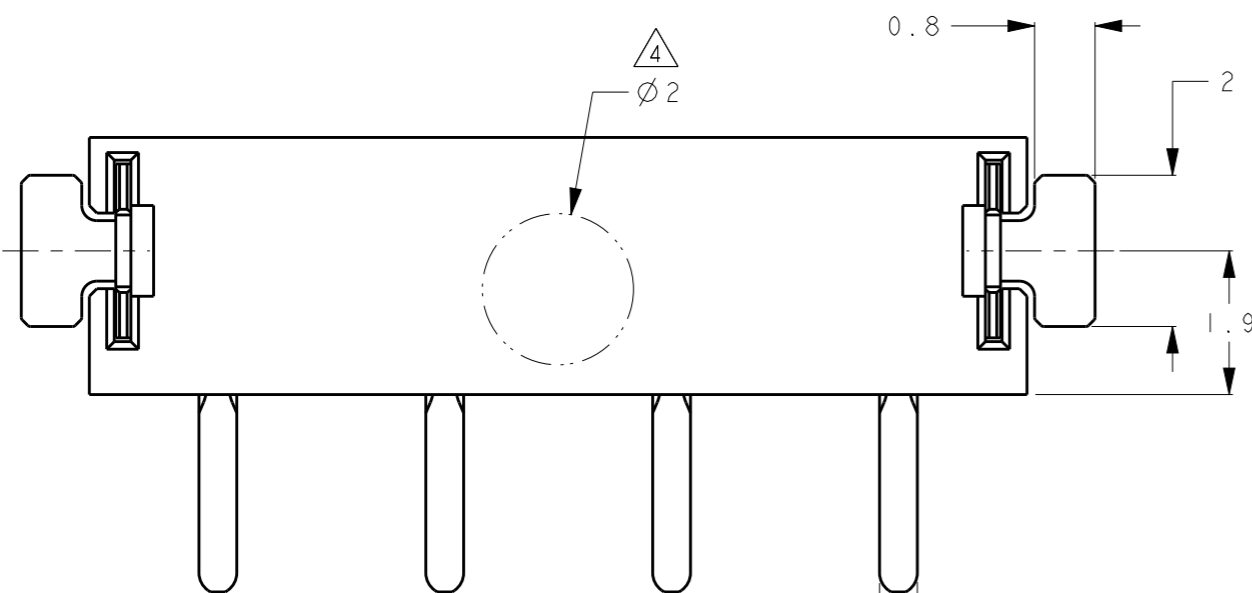
© COPYRIGHT 2011 BY -

ALL RIGHTS RESERVED.

LOC ES DIST -

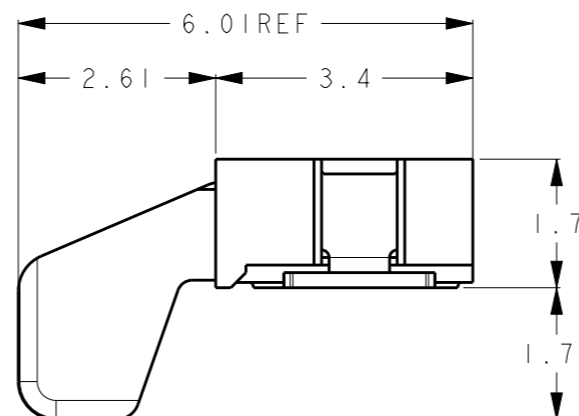
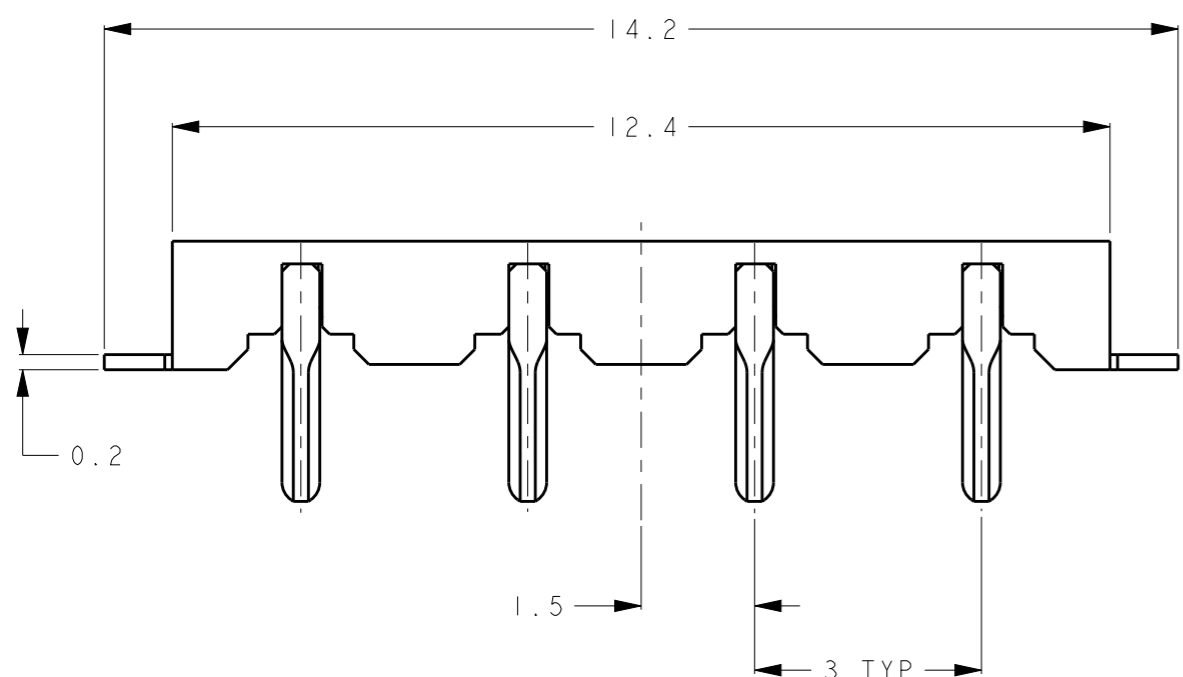
REVISIONS

P	LTR	DESCRIPTION	DATE	DWN	APVD
	A	RELEASED	04FAB2013	R.W	S.Y




SCALE 5:1

- 1 MATERIAL
CONTACT: COPPER ALLOY
HOUSING: THERMOPLASTIC, BLACK
SOLDER PEG: COPPER ALLOY
- 2 FINISH
CONTACT: NICKEL ALL OVER UNDER PLATING, 3um MIN.
GOLD PLATING AT CONTACT AREA, 0.76um MIN.
GOLD FLASH PLATING AT LEAD AREA, 0.05~0.2um
SOLDER PEG: NICKEL ALL OVER UNDER PLATING, 1.27um MIN
TIN PLATING ALL OVER, 2-5um
- 3 COPLANARITY 0.08MAX.
- 4 PICKING AREA



2134758-1: AS SHOWN

THIS DRAWING IS A CONTROLLED DOCUMENT.		DWN R. WANG 04FAB2013	 TE Connectivity	
DIMENSIONS: mm		CHK W. HE 04FAB2013		
TOLERANCES UNLESS OTHERWISE SPECIFIED: ± 0.15		APVD S. YAO 04FAB2013	NAME FLOATING BATTERY INTERCONNECTION SYSTEM PLUG ASSEMBLY 4P OFFSET TYPE	
<ul style="list-style-type: none"> 0 PLC \pm 1 PLC \pm 2 PLC \pm 3 PLC \pm 4 PLC \pm ANGLES $\pm 3^\circ$ 		PRODUCT SPEC 108-78834-1	SIZE CAGE CODE DRAWING NO RESTRICTED TO	
MATERIAL 1		FINISH 2	A300779 C-2134758	
		WEIGHT 0.24 g	Customer Drawing SCALE 4:1 SHEET 1 OF 3 REV A	

THIS DRAWING IS UNPUBLISHED.

RELEASED FOR PUBLICATION

2011

© COPYRIGHT 2011 BY -

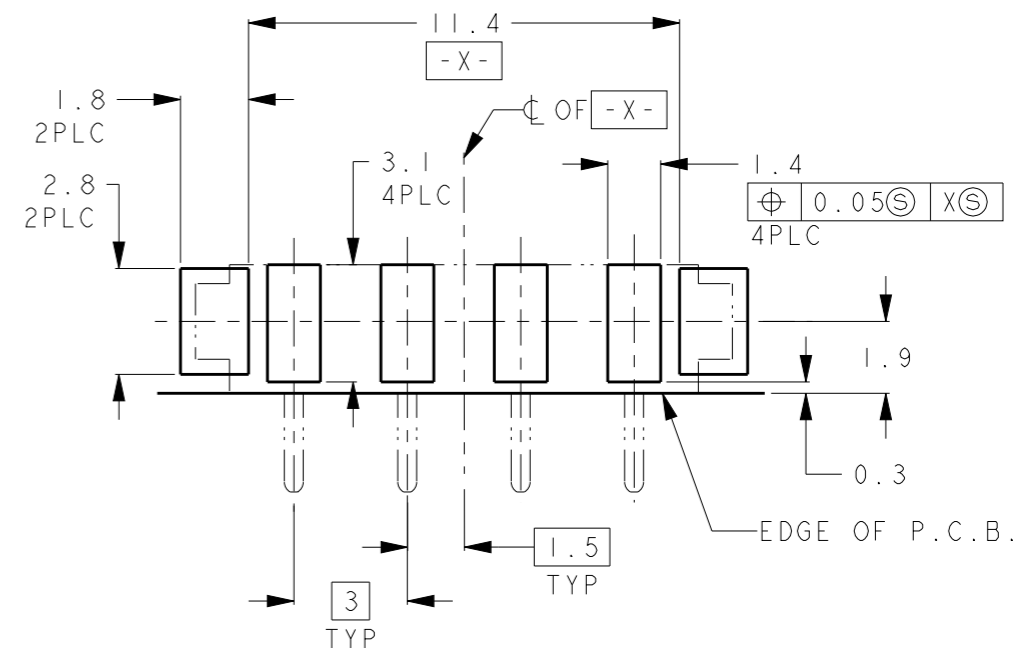
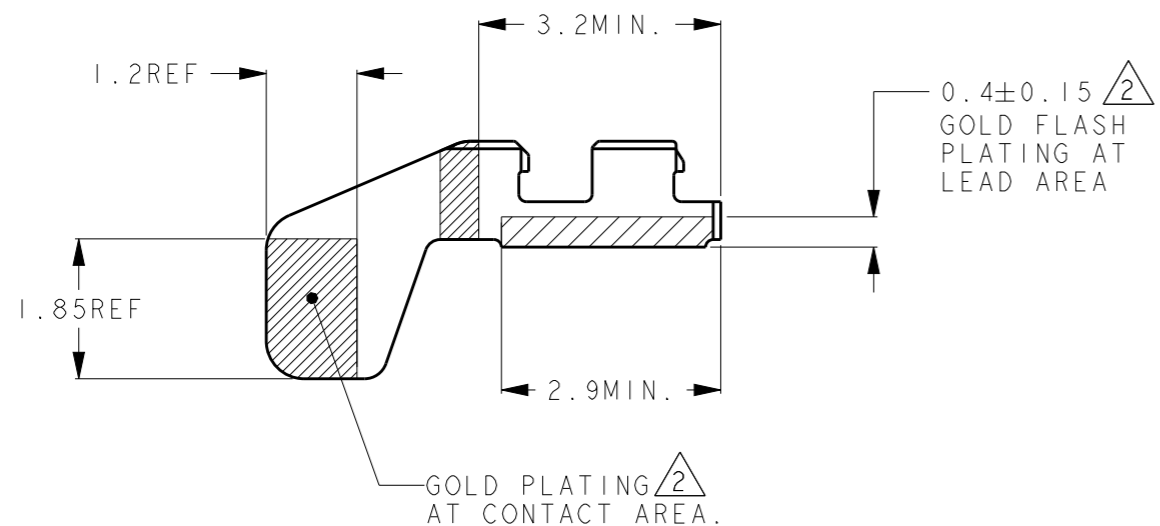
ALL RIGHTS RESERVED.

LOC
ES

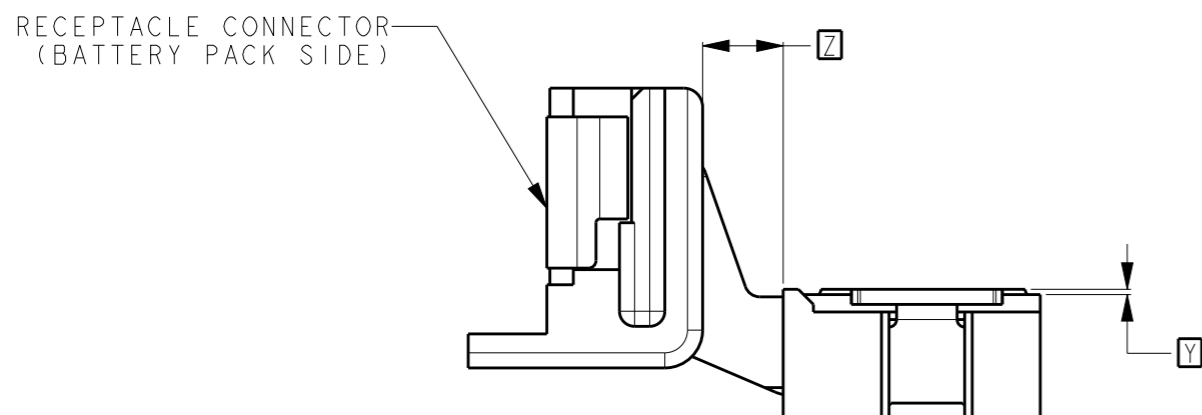
DIST
-

REVISIONS

P	LTR	DESCRIPTION	DATE	DWN	APVD
	-	SEE SHEET 1	-	-	-



REFERENCE P.C. BOARD LAYOUT
(GENERAL TOLERANCE: ±0.05, SCALE 5:1)



SCALE 10:1

CONNECTOR POSITION
CONTACT TE FOR GUIDELINES

THIS DRAWING IS A CONTROLLED DOCUMENT.

DIMENSIONS: mm	TOLERANCES UNLESS OTHERWISE SPECIFIED: ± 0.15
	0 PLC ±
	1 PLC ±
	2 PLC ±
	3 PLC ±
	4 PLC ±
	ANGLES ±3°
MATERIAL	FINISH

DWN
CHK
APVD
PRODUCT SPEC
APPLICATION SPEC
WEIGHT
Customer Drawing

STE TE Connectivity

NAME
FLOATING BATTERY INTERCONNECTION SYSTEM
PLUG ASSEMBLY 4P OFFSET TYPE

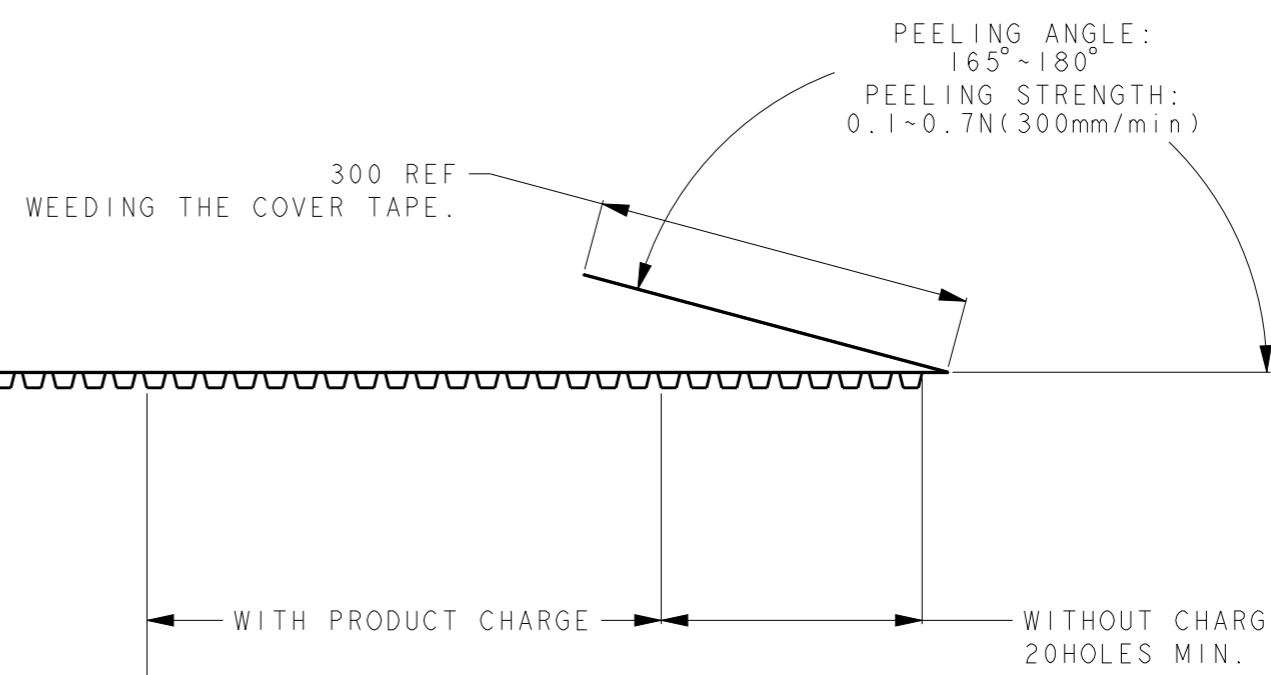
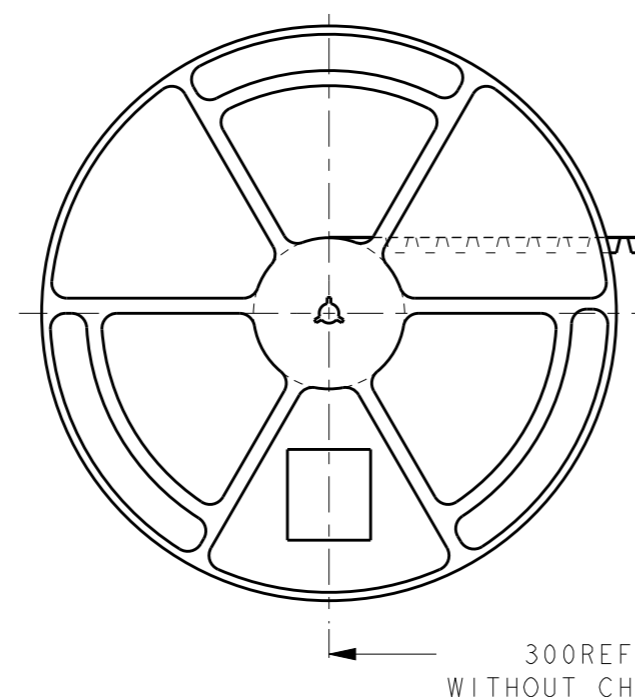
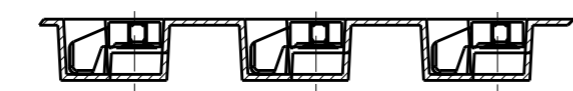
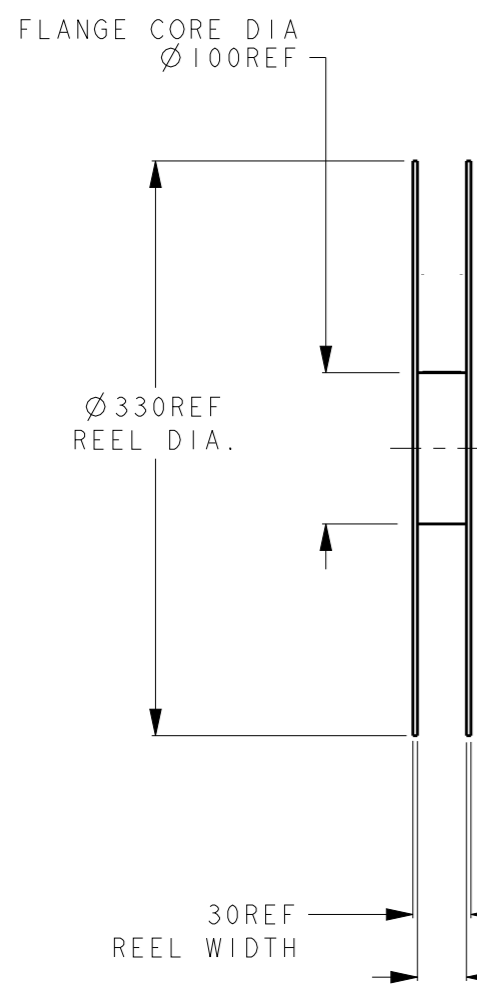
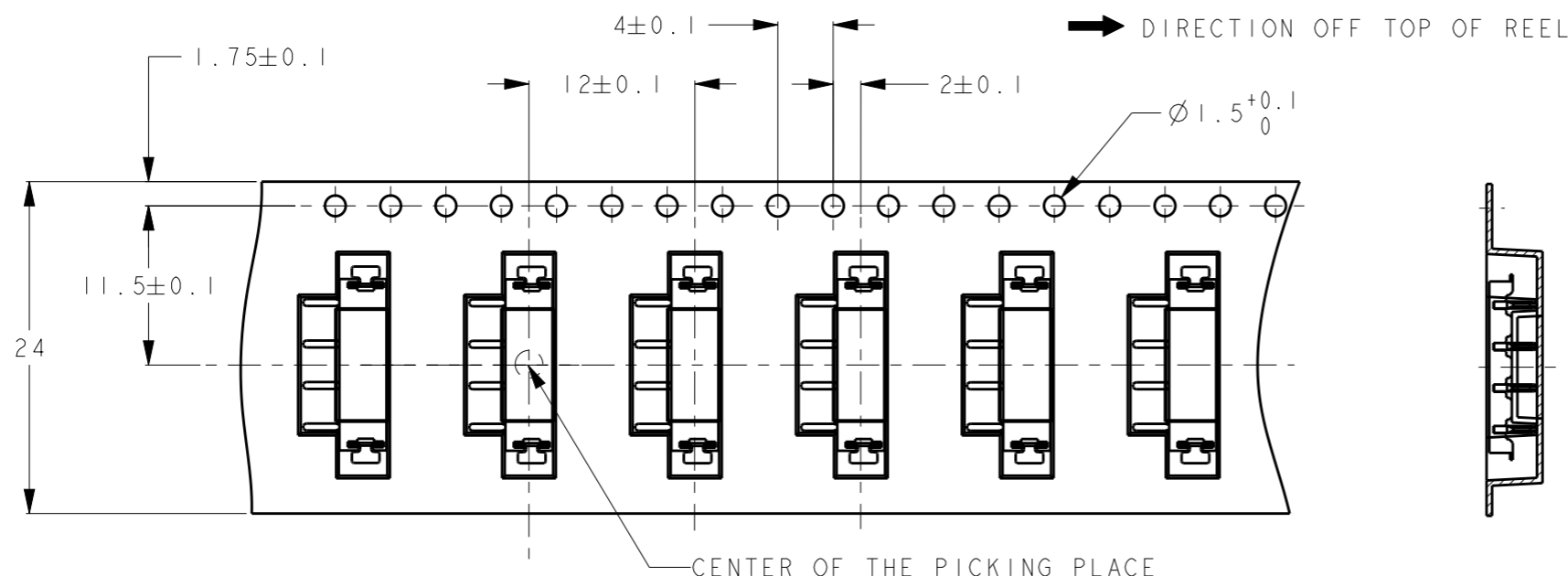
SIZE	CAGE CODE	DRAWING NO	RESTRICTED TO
A300779	C	2134758	-

SCALE 4:1 SHEET 2 OF 3 REV A

THIS DRAWING IS UNPUBLISHED. RELEASED FOR PUBLICATION 2011
 © COPYRIGHT 2011 BY - ALL RIGHTS RESERVED.

LOC ES
 DIST -

REVISIONS					
P	LTR	DESCRIPTION	DATE	DWN	APVD
-	-	SEE SHEET 1	-	-	-



1200	2134758-1
QTY/REEL	P/N

THIS DRAWING IS A CONTROLLED DOCUMENT.		DWN	STE TE Connectivity	
DIMENSIONS: mm		CHK		
TOLERANCES UNLESS OTHERWISE SPECIFIED: ± 0.3		APVD	NAME	
0 PLC ±		PRODUCT SPEC	FLOATING BATTERY INTERCONNECTION SYSTEM	
1 PLC ±		APPLICATION SPEC	PLUG ASSEMBLY 4P OFFSET TYPE	
2 PLC ±		WEIGHT	SIZE	CAGE CODE
3 PLC ±		Customer Drawing	A300779	G-2134758
4 PLC ±		SCALE	NTS	SHEET 3 OF 3
ANGLES ± 3°		RESTRICTED TO	-	
FINISH		REV	A	