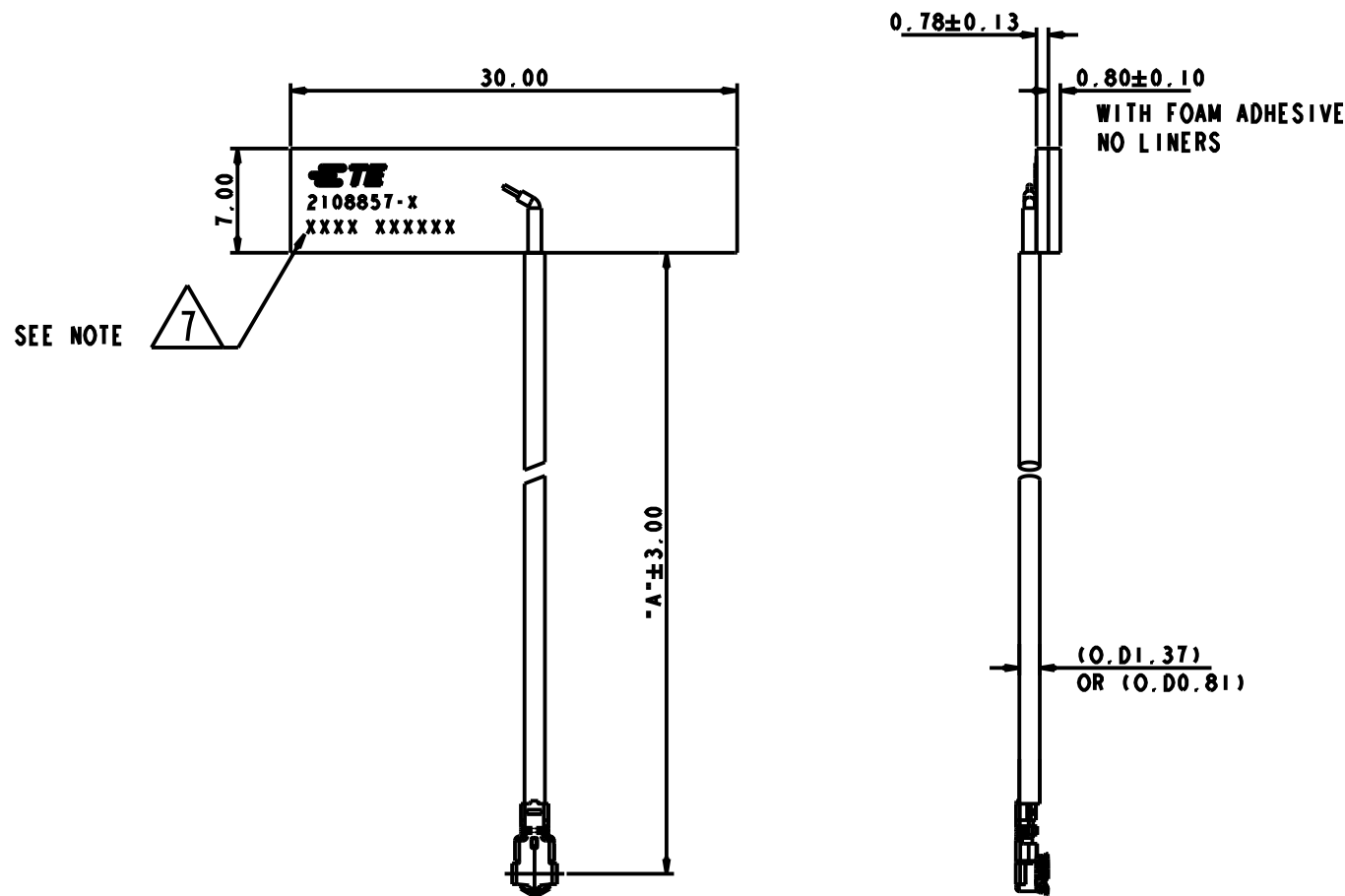


P	LTR	DESCRIPTION	DATE	DWN	APVD
	A	REVISED PER ECO-21-000028	04JAN2021		



NOTE : UNLESS OTHERWISE SPECIFIED

1. FABRICATE TO MEET IPC-6012, CLASS 2.
INSPECT TO MEET IPC-A-600, CLASS 2.
2. MATERIAL :
 - A. PCB(FR4) + ADHESIVE.
 - B. ADHESIVE WITH LINER ON THER BACK SIDE, REMOVE LINER TO APPLY.
 - C. CABLE WITH CONNECTOR.
3. FINISH : SOLDERMASK BOTH SIDES, ORANGE
4. GENERAL TOLERANCES : ±0.20
5. PACKING: SECURELY SHRINK WRAPPED, VACUUM PACKED OR BAGS PACKAGED IN BULK.
6. CONSULT TE CONNECTIVITY DATA SHEET DS2108857.
7. MINIMUM IDENTIFICATION INCLUDES
 - A: TE LOGO, TE P/N
 - B: WORD REV., FOLLOWED BY THE LASTEST REVISION LETTER, AS SHOWN.
 - C: 4 DIGITS DATE CODE: FIRST 2 DIGITS FOR THE WEEK CODE AND THE 2 DIGITS FOR THE YEAR CODE.
 - OTHERS: SPECIFIC TE INTERNAL USE ONLY.

MHF4 (CABLE O.D 0.81)	200.00	2108857-8
	150.00	2108857-7
	100.00	2108857-6
	50.00	2108857-5
MHF (CABLE O.D 1.37)	200.00	2108857-4
	150.00	2108857-3
	100.00	2108857-2
	50.00	2108857-1
CONN. TYPE	A (mm)	PART NUMBER

THIS DRAWING IS A CONTROLLED DOCUMENT.		DWN DW.PARK 09DEC2020		
DIMENSIONS: mm		CHK H.SHIN 09DEC2020		
TOLERANCES UNLESS OTHERWISE SPECIFIED:		APVD JH.KIM 09DEC2020	NAME PCB ANTENNA,CABLE,Wi-Fi 6E TRIPLE BAND	
0 PLC ±-		PRODUCT SPEC	-	
1 PLC ±-		APPLICATION SPEC	-	
2 PLC ±-		WEIGHT	-	
3 PLC ±-		CUSTOMER DRAWING	-	
4 PLC ±-		SCALE	2:1	
ANGLES ±-		SIZE	A3	
MATERIAL		CAGE CODE	00779	
FINISH		DRAWING NO	C-2108857	
		RESTRICTED TO	-	
		SHEET	1 OF 1	
		REV	A	