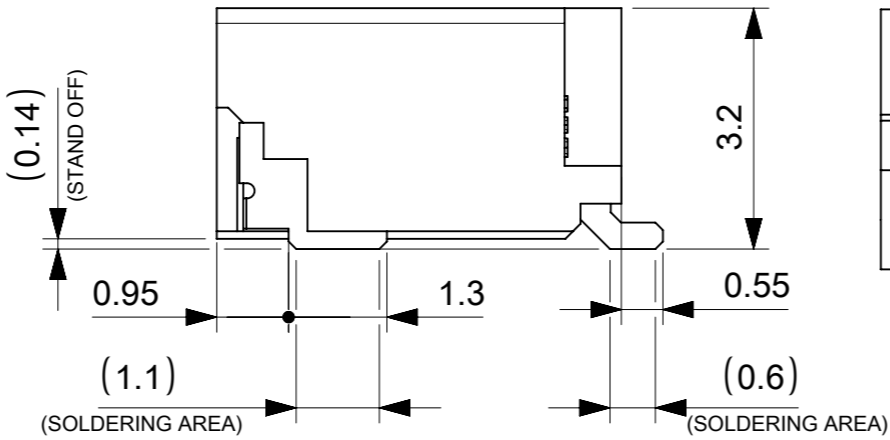
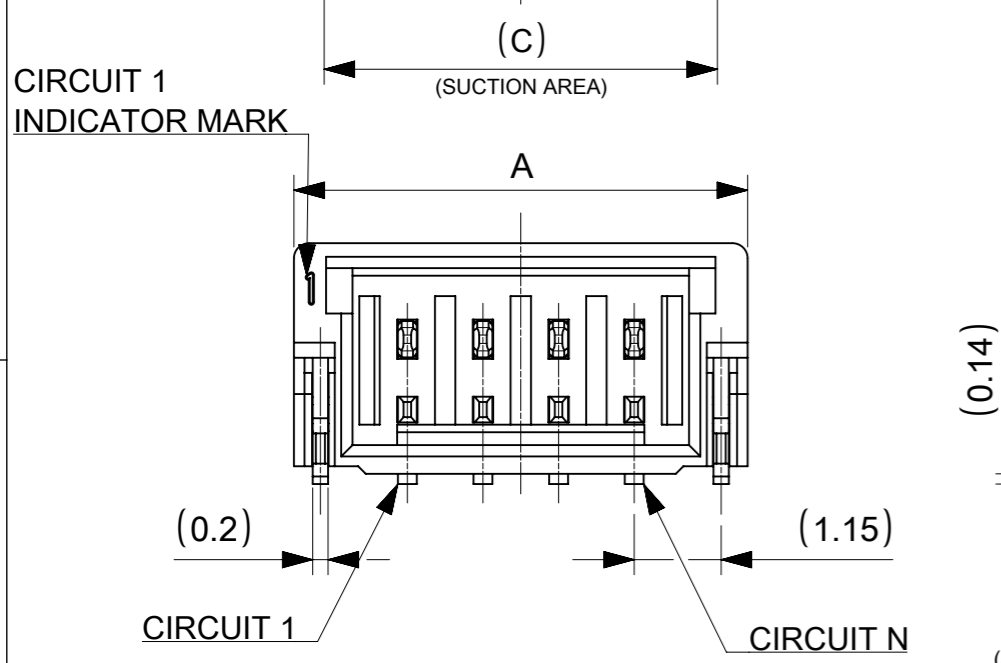
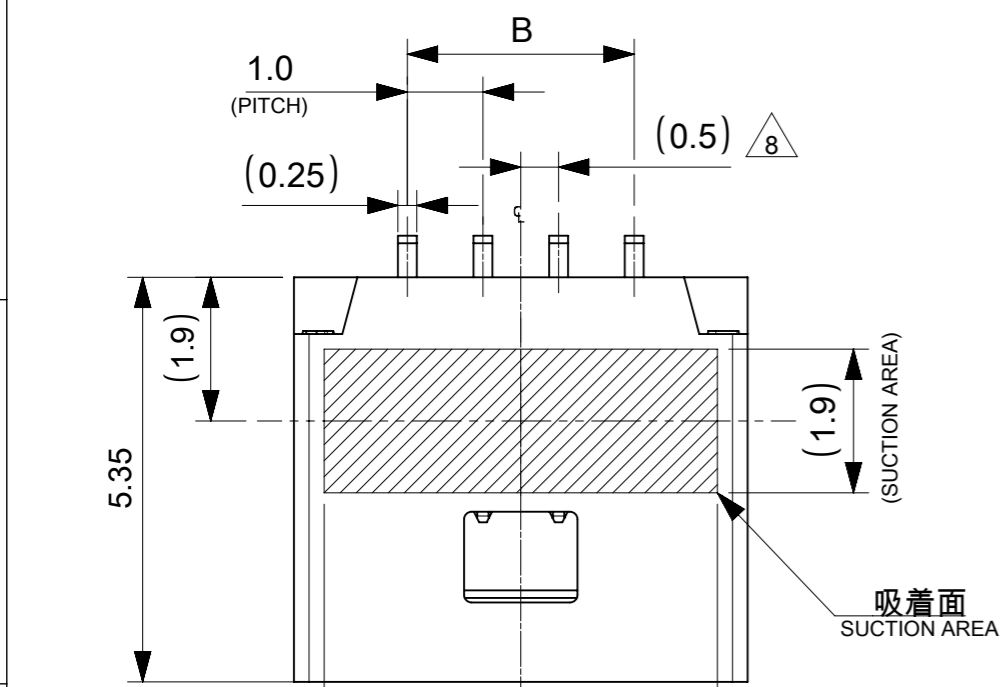


NOTES

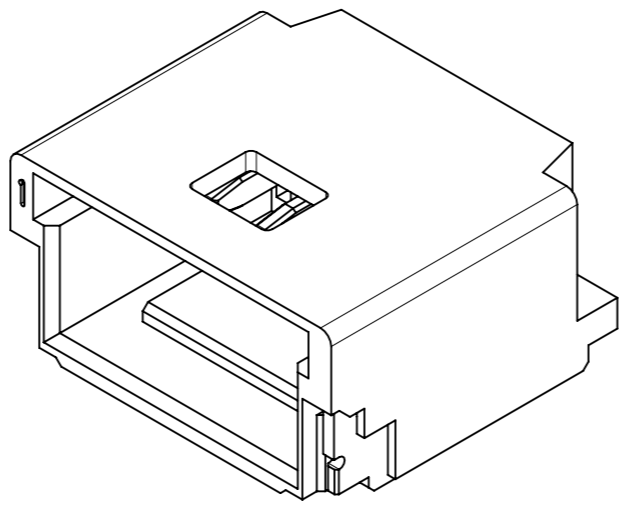
- 本製品は極数によって、ロック形状が変わりますので御注意願います。
THE LOCK SHAPE OF THIS PRODUCT CHANGES ACCORDING TO THE NUMBER OF CIRCUIT.
2~5 CIRCUITS : フリクションロック FRICTION LOCK
6~15 CIRCUITS : インナーポジティブロック INNER POSITIVE LOCK
- 材料及び仕上げ(めっき仕様) : TABLE 1,2 参照
MATERIAL AND FINISHES : SEE TABLE 1 AND 2
- 製品仕様書 : 5013300000-PS 000
PRODUCT SPECIFICATION:
- 梱包形態 : SEE SHEET 4
PACKAGING INFORMATION:
- 嵌合相手 : 501330 シリーズ
MATES WITH:501330 SERIES
- アプリケーション仕様書(コネクタ取扱い説明書) : 5013300000-AS 000
APPLICATION SPECIFICATION(CONNECTOR MANUAL):
- ソルダーピン及びネイルの平坦度:0.1 MAX.
SOLDER PIN AND NAIL COPLANARITY: 0.1 MAX.
- 偶数極に適用
APPLY FOR EVEN CIRCUIT
- その他金めっき厚品及び錫めっき品は以下の図面を御参照ください。
PLEASE REFER TO THE FOLLOWING DRAWING FOR OTHER GOLD PLATING VERSION AND TIN PLATING VERSION.



PLATING	PLATING THICKNESS [micro-meter MIN.]	SERIES No.	DRAWING No.
TIN	1.0	501568	5015680000-SD PSD 000
GOLD	0.1	202396	2023960000-SD PSD 000
	0.76	203559	2035590000-SD PSD 000

2 TABLE 1

番号 NO.	部品 PART	材質 MATERIAL	
①	ウエハー WAFER	ポリアミド(PA), UL94V-0, 色 : SEE SHEET 6 POLYAMIDE(PA), UL94V-0, COLOR : SEE SHEET 6	
②	ソルダーピン SOLDER PIN	リン青銅 PHOSPHOR BRONZE	
		接点部 CONTACT AREA	金めっき : 0.38 MICRO-METER MIN. GOLD PLATING
		テール部 TAIL AREA	金めっき : 0.05 MICRO-METER MIN. GOLD PLATING
	下地めっき UNDER PLATING	ニッケルめっき : 1.27 MICRO-METER MIN. NICKEL	
③	ネイル NAIL	黄銅 BRASS	
		テール部 TAIL AREA	錫めっき : 1.0 MICRO-METER MIN. MATTE TIN PLATING
		下地めっき UNDER PLATING	ニッケルめっき : 1.0 MICRO-METER MIN. NICKEL



6.2	4.0	7.0	5
5.2	3.0	6.0	4
4.2	2.0	5.0	3
3.2	1.0	4.0	2
C	B	A	極数 CIRCUIT SIZE

THIS DRAWING CONTAINS INFORMATION THAT IS PROPRIETARY TO MOLEX ELECTRONIC TECHNOLOGIES, LLC AND SHOULD NOT BE USED WITHOUT WRITTEN PERMISSION

DIMENSION UNITS	SCALE	CURRENT REV DESC.	molex		
mm	NTS				
GENERAL TOLERANCES (UNLESS SPECIFIED)			PICO-CLASP 1.0 W/B SINGLE ROW RA SMT INNER LOCK GOLD PLATING 0.38 MICRO-METER		
ANGULAR TOL	± 3.0 °	EC NO: 698195	PRODUCT CUSTOMER DRAWING		
4 PLACES	± 0.2	DRWN: MIKEDA01 2022/02/28	DOCUMENT NUMBER		
3 PLACES	± 0.2	CHK'D: SAKIYAMA 2022/03/08	DOC TYPE DOC PART REVISION		
2 PLACES	± 0.2	APPR: AIDA 2022/03/08	2035580000-SD PSD 000 C		
1 PLACE	± 0.2	INITIAL REVISION:	MATERIAL NUMBER CUSTOMER		
0 PLACES	± 0.2	DRWN: AISHIKAWA 2019/04/02	SEE SHEET 6		
DRAFT WHERE APPLICABLE MUST REMAIN WITHIN DIMENSIONS		THIRD ANGLE PROJECTION	DRAWING	SERIES	SHEET NUMBER
			A3-SIZE	203558	1 OF 6

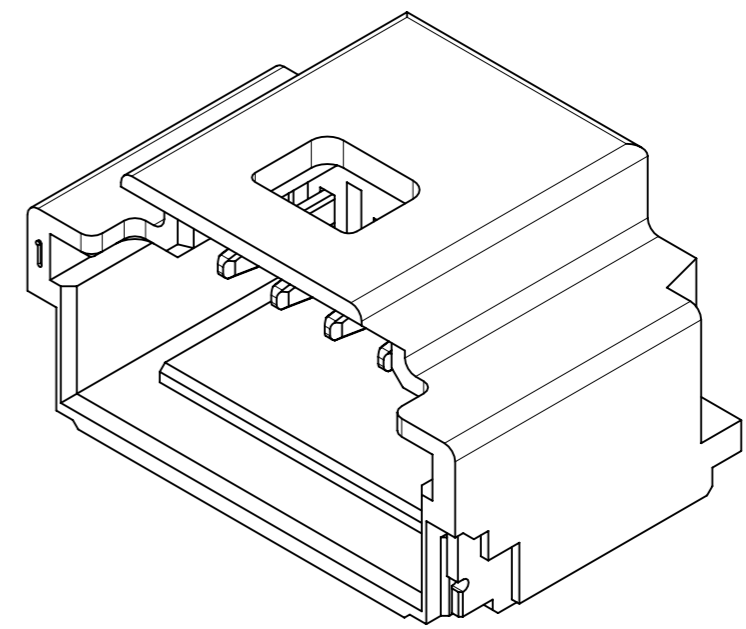
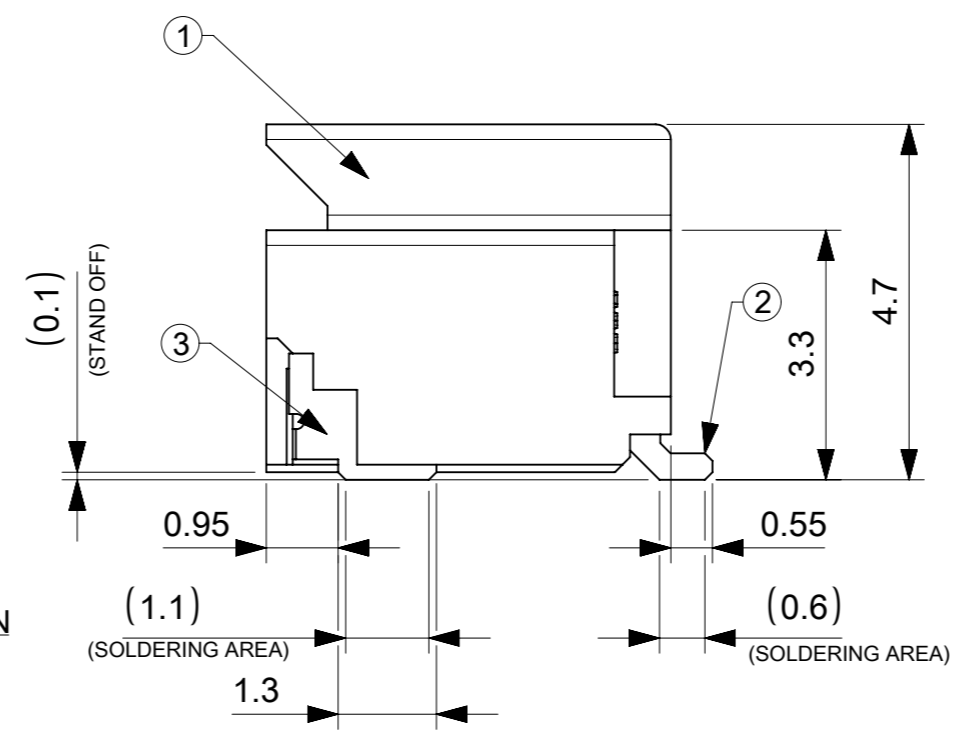
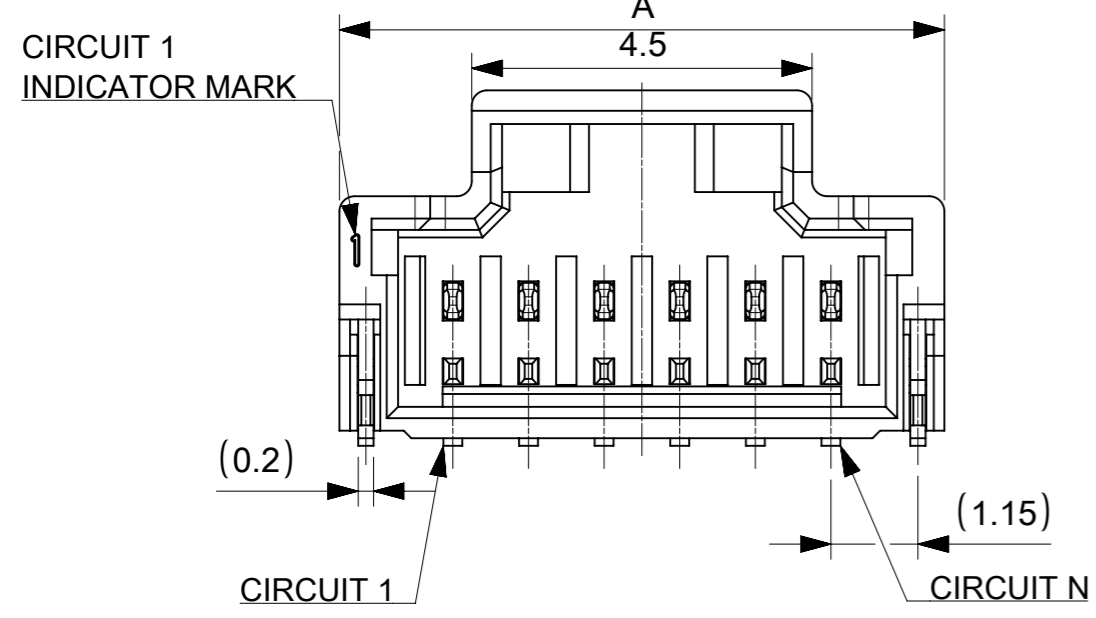
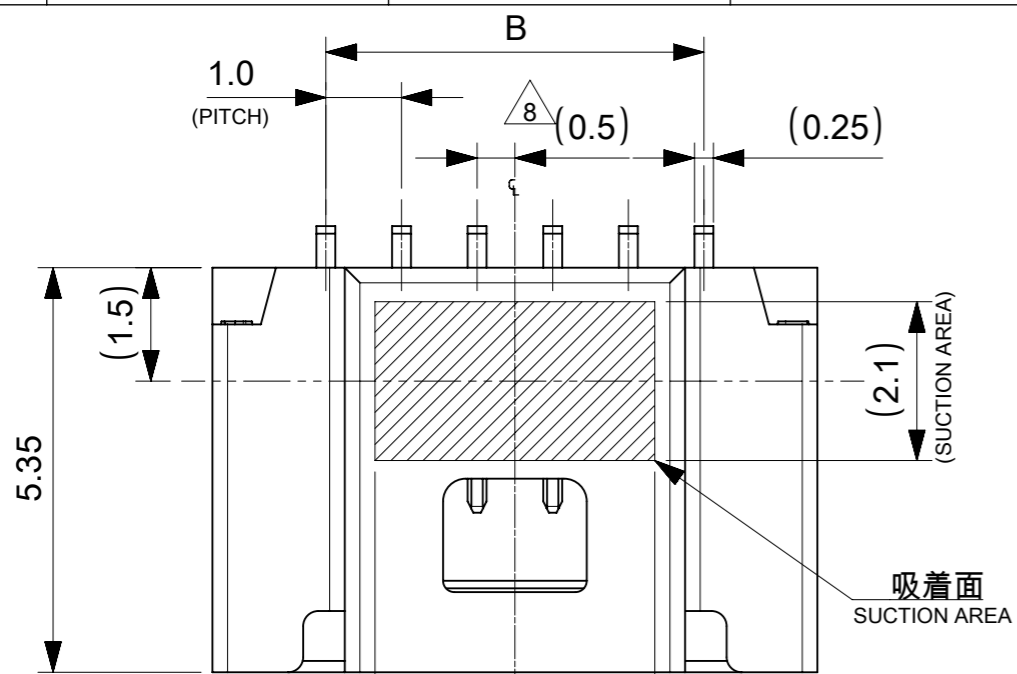


TABLE 2

12.7	14.0	17.0	15
11.7	13.0	16.0	14
10.7	12.0	15.0	13
9.7	11.0	14.0	12
8.7	10.0	13.0	11
7.7	9.0	12.0	10
6.7	8.0	11.0	9
5.7	7.0	10.0	8
4.7	6.0	9.0	7
3.7	5.0	8.0	6
C	B	A	極数 CIRCUIT SIZE

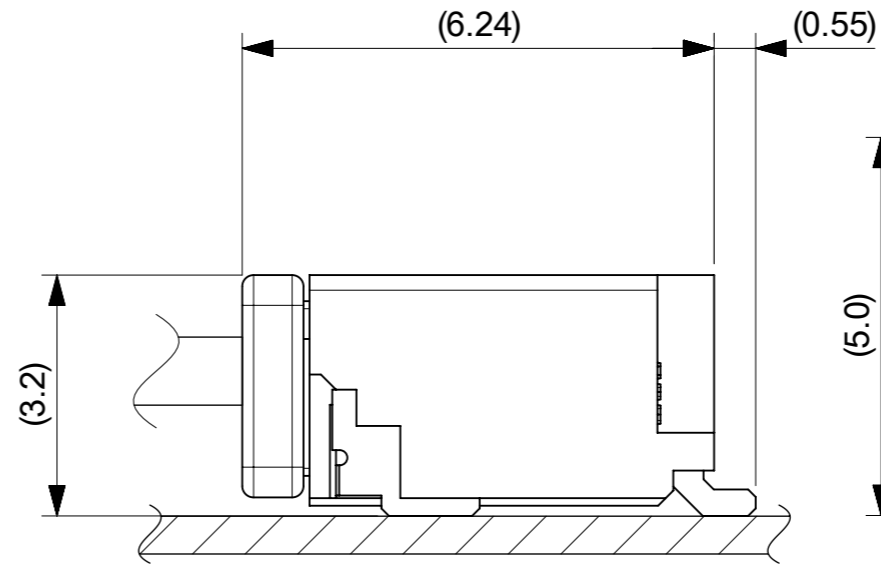
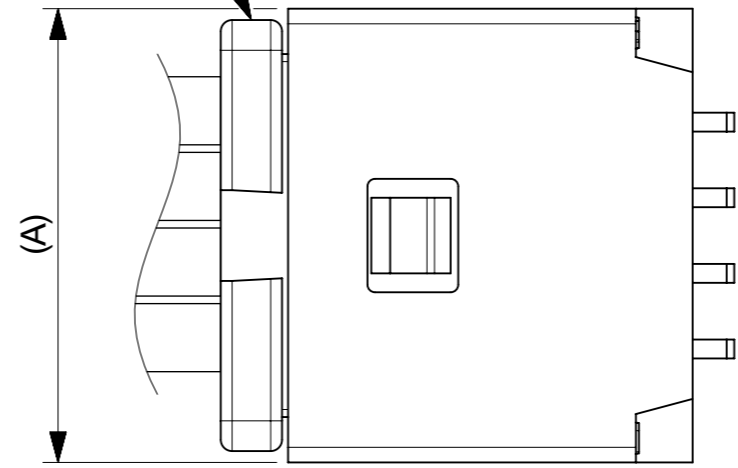
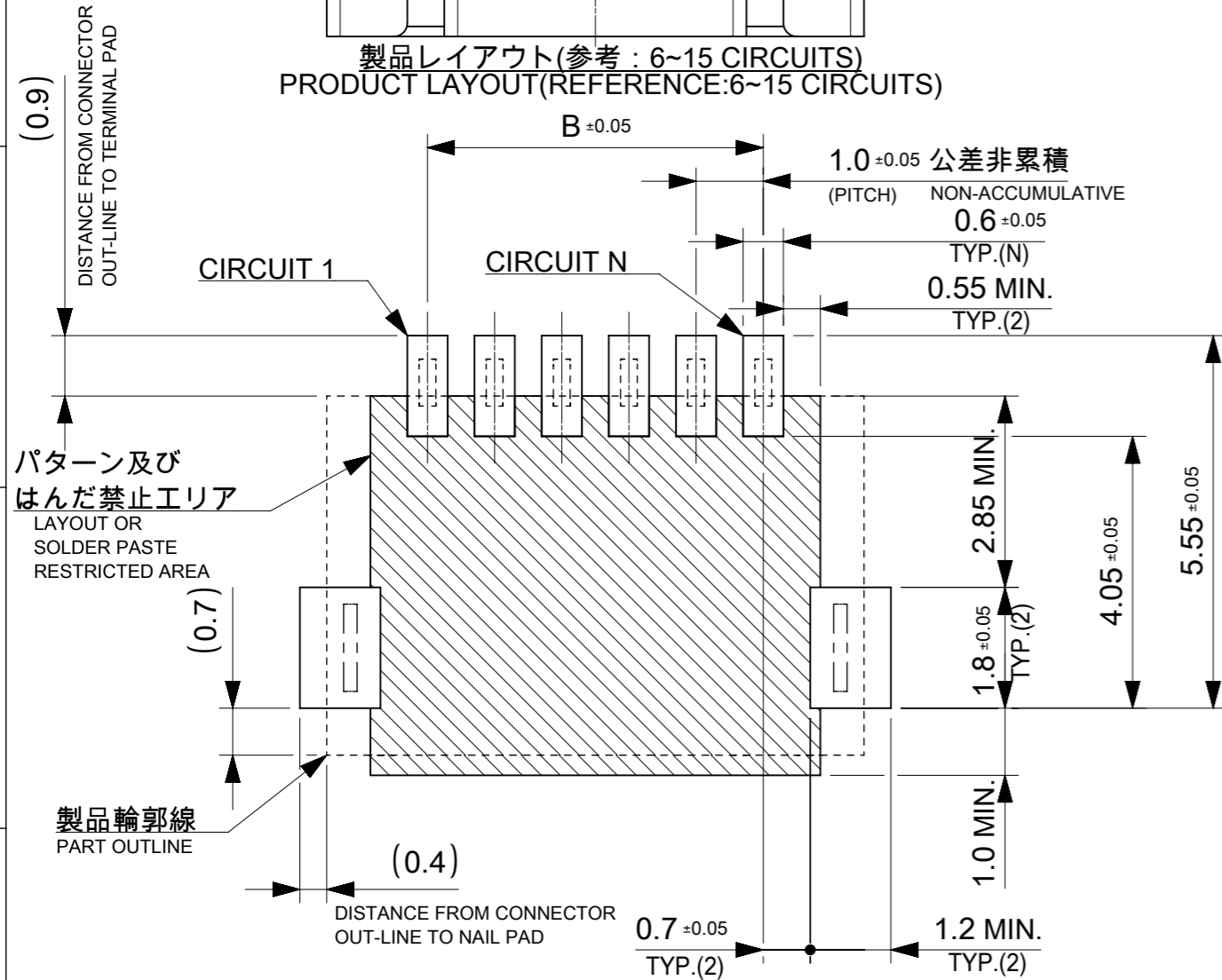
番号 NO.	部品 PART	材質 MATERIAL	
①	ウエハー WAFER	ポリアミド(PA), UL94V-0, 色 : SEE SHEET 6 POLYAMIDE(PA), UL94V-0, COLOR : SEE SHEET 6	
②	ソルダーピン SOLDER PIN	リン青銅 PHOSPHOR BRONZE	
		接点部 CONTACT AREA	金めっき : 0.38 MICRO-METER MIN. GOLD PLATING
		テール部 TAIL AREA	金めっき : 0.05 MICRO-METER MIN. GOLD PLATING
	下地めっき UNDER PLATING	ニッケルめっき : 1.27 MICRO-METER MIN. NICKEL	
③	ネイル NAIL	黄銅 BRASS	
		テール部 TAIL AREA	錫めっき : 1.0 MICRO-METER MIN. MATTE TIN PLATING
		下地めっき UNDER PLATING	ニッケルめっき : 1.0 MICRO-METER MIN. NICKEL

THIS DRAWING CONTAINS INFORMATION THAT IS PROPRIETARY TO MOLEX ELECTRONIC TECHNOLOGIES, LLC AND SHOULD NOT BE USED WITHOUT WRITTEN PERMISSION

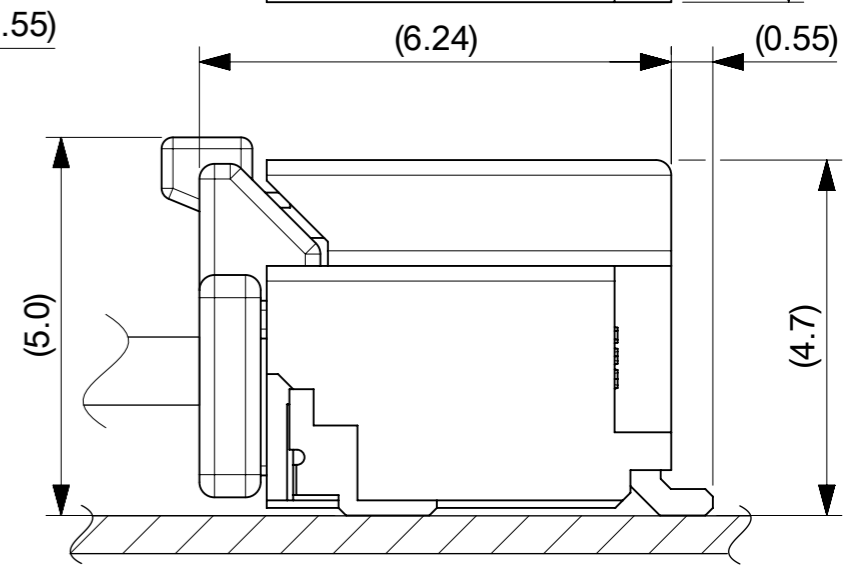
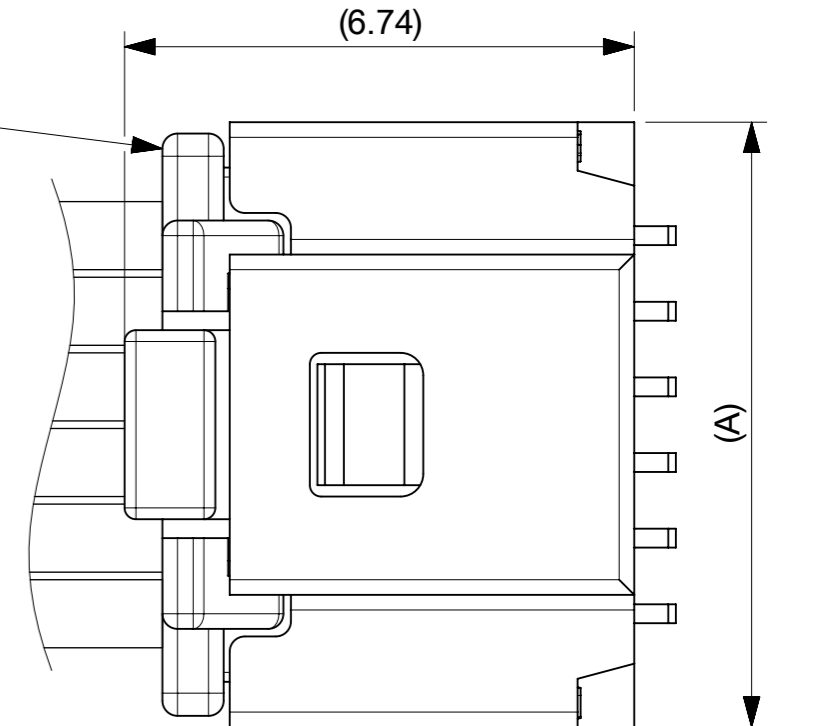
DIMENSION UNITS mm	SCALE NTS	CURRENT REV DESC:		molex			
GENERAL TOLERANCES (UNLESS SPECIFIED)		EC NO: 698195					
ANGULAR TOL	± 3.0 °	DRWN: MIKEDA01		PRODUCT CUSTOMER DRAWING			
4 PLACES	± 0.2	CHK'D: SAKIYAMA		DOCUMENT NUMBER			
3 PLACES	± 0.2	APPR: AIDA		2035580000-SD			
2 PLACES	± 0.2	INITIAL REVISION:		DOC TYPE DOC PART REVISION			
1 PLACE	± 0.2	DRWN: AISHIKAWA		PSD 000 C			
0 PLACES	± 0.2	APPR: KOMURAKAMI		SHEET NUMBER			
DRAFT WHERE APPLICABLE MUST REMAIN WITHIN DIMENSIONS		THIRD ANGLE PROJECTION	DRAWING	SERIES	MATERIAL NUMBER	CUSTOMER	SHEET NUMBER
			A3-SIZE	203558	SEE SHEET 6		2 OF 6

嵌合相手 : 501330シリーズ
MATE WITH : 501330 SERIES

製品レイアウト(参考 : 6~15 CIRCUITS)
PRODUCT LAYOUT(REFERENCE:6~15 CIRCUITS)



a) 2~5 CIRCUITS



b) 6~15 CIRCUITS

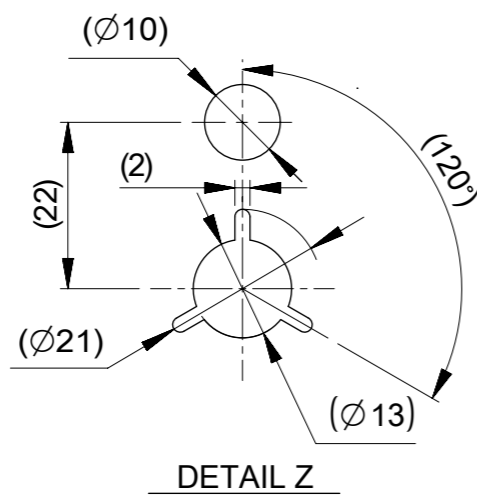
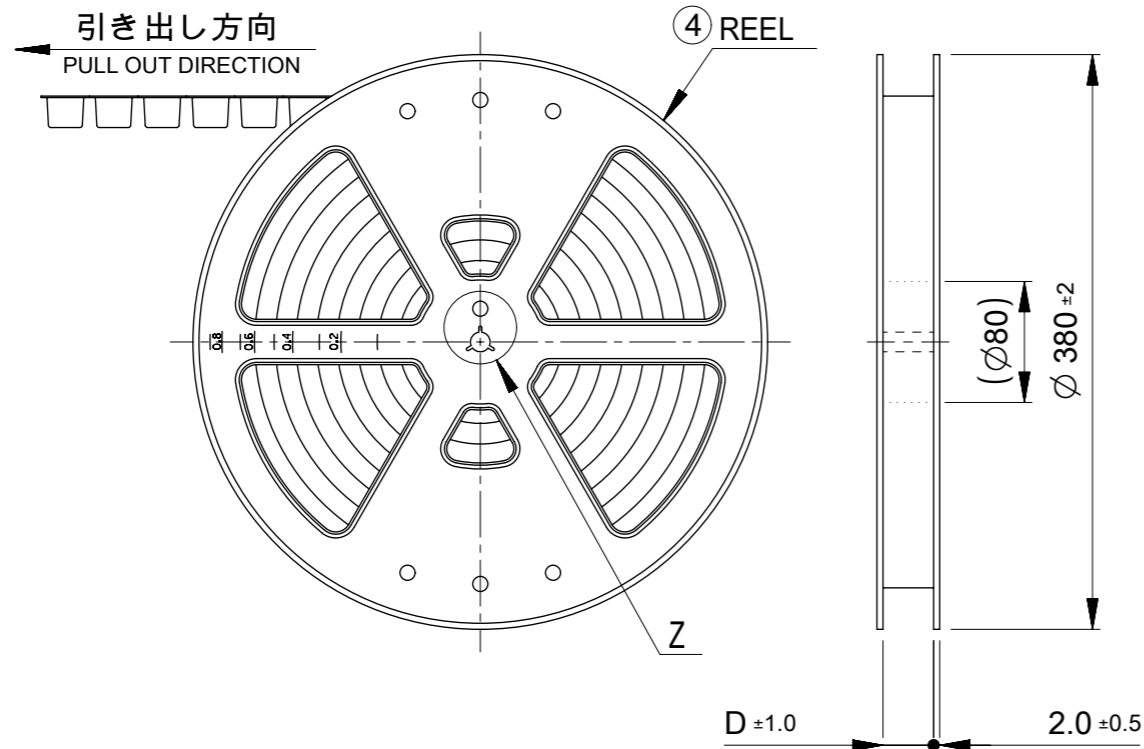
嵌合図
MATED CONNECTORS

推奨基板レイアウト(全極数適用) : 実装面側
(参考 : 基板厚 1.0mm, メタルマスク厚さ 0.12mm, マスク開口率100%)

POLARIZED RECOMMENDED PCB LAYOUT(APPLY TO ALL CIRCUITS) : COMPONENT SIDE
(REFERENCE: PCB THICKNESS 1.0mm, STENCIL THICKNESS 0.12mm, APERTURE RATIO 100%)

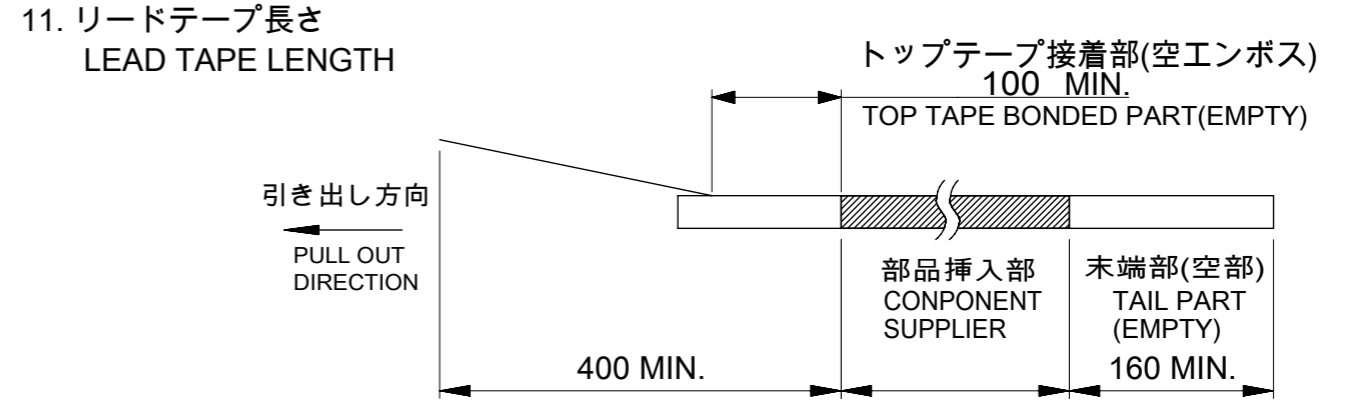
:パターン禁止エリア
RESTRICTED AREA
NO PCB COMPONENTS ALLOWED

THIS DRAWING CONTAINS INFORMATION THAT IS PROPRIETARY TO MOLEX ELECTRONIC TECHNOLOGIES, LLC AND SHOULD NOT BE USED WITHOUT WRITTEN PERMISSION		CURRENT REV DESC:		molex	
DIMENSION UNITS	SCALE				
mm	NTS			PICO-CLASP 1.0 W/B SINGLE ROW RA SMT INNER LOCK GOLD PLATING 0.38 MICRO-METER	
GENERAL TOLERANCES (UNLESS SPECIFIED)				PRODUCT CUSTOMER DRAWING	
ANGULAR TOL	± 3.0 °			DOCUMENT NUMBER	
4 PLACES	± 0.2	EC NO: 698195	2022/02/28	2035580000-SD	PSD 000 C
3 PLACES	± 0.2	DRWN: MIKEDA01	2022/03/08		
2 PLACES	± 0.2	CHK'D: SAKIYAMA	2022/03/08	DOC TYPE DOC PART REVISION	
1 PLACE	± 0.2	APPR: AIDA	2022/03/08		
0 PLACES	± 0.2	INITIAL REVISION:			
DRAFT WHERE APPLICABLE MUST REMAIN WITHIN DIMENSIONS		DRWN: AISHIKAWA	2019/04/02		
THIRD ANGLE PROJECTION		APPR: KOMURAKAMI	2019/04/05		
DRAWING		SERIES	MATERIAL NUMBER	CUSTOMER	
A3-SIZE		203558	SEE SHEET 6		
SHEET NUMBER		3 OF 6			



NOTES

10. 梱包数量
 2-5 CIRCUIT: 1700個/リール
 6-15 CIRCUIT: 1300個/リール
 NUMBER OF CONNECTORS
 2-5 CIRCUIT : 1700 PIECES/REEL
 6-15 CIRCUIT : 1300 PIECES/REEL



11. リードテープ長さ
 LEAD TAPE LENGTH
12. トップテープの剥離強度はIEC60286-3に準拠。
 TOP TAPE PEELING FORCE IS DEFINED BY IEC60286-3.
13. 2~5極品は乾燥剤入り、ハイバリア梱包による納品となります。
 2~5 CIRCUITS IS DELIVERED IN A HIGH BARRIER PACKAGING WITH DESICCANT.
14. 梱包仕様書 : 2035589200 PS 200
 PACKAGE SPECIFICATION:
15. 発注番号 : SHEET 6 参照
 ORDER No. : PLEASE REFER TO SHEET 6 FOR PRODUCT LIST.

203558 - ** * *

極数 CIRCUIT SIZE	ハウジングカラー HOUSING COLOR	製品識別番号 IDENTIFICATION NUMBER
	0:NATURAL(BEIGE)	7:EMBOSSED PACKAGE

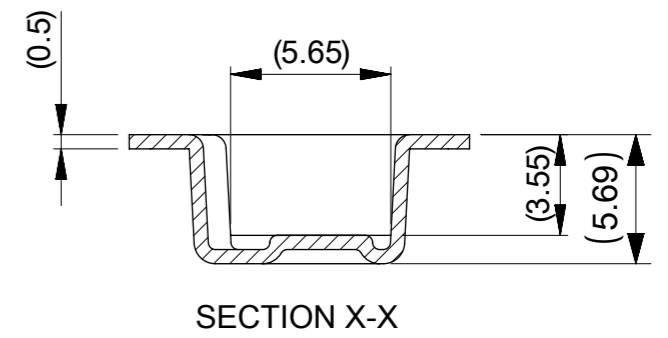
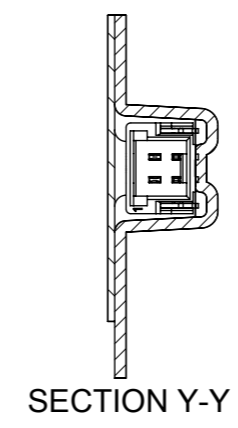
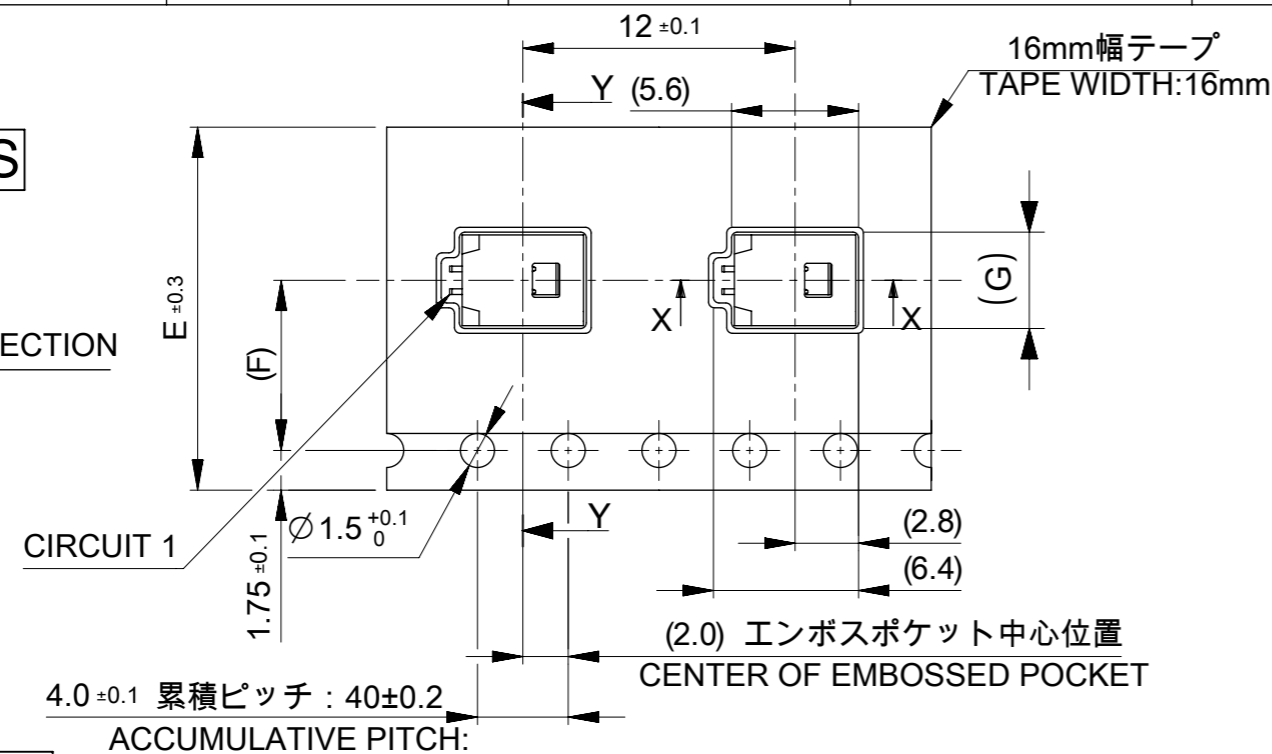
33.4	15
	14
	13
25.4	12
	11
	10
	9
	8
17.5	7
	6
	5
	4
D	3
	2
	極数 CIRCUIT SIZE

番号 NO.	部品 PART	材質 MATERIAL
④	リール REEL	ポリスチレン(PS) <リサイクル材を含む> POLYSTYRENE(PS) <RECYCLE MATERIAL CONTAINED>
DOCUMENT STATUS	P1	RELEASE DATE 2022/03/08 09:37:19

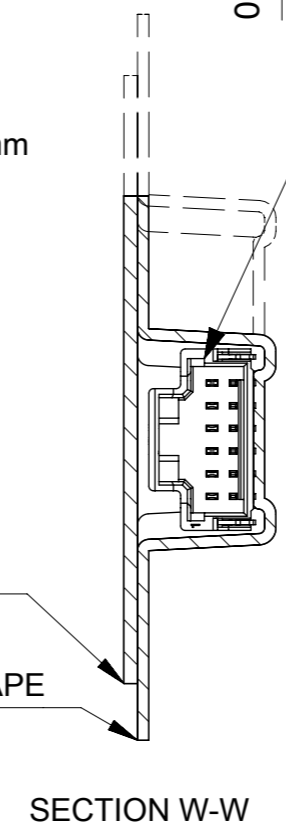
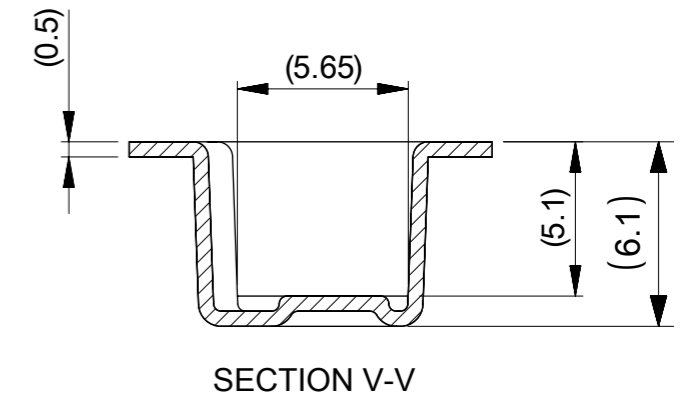
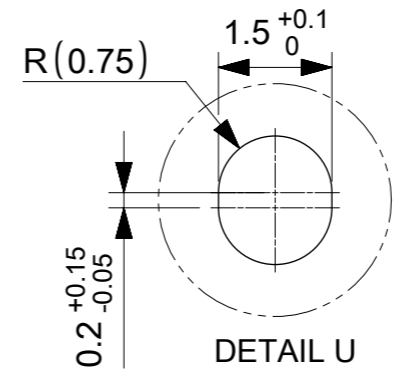
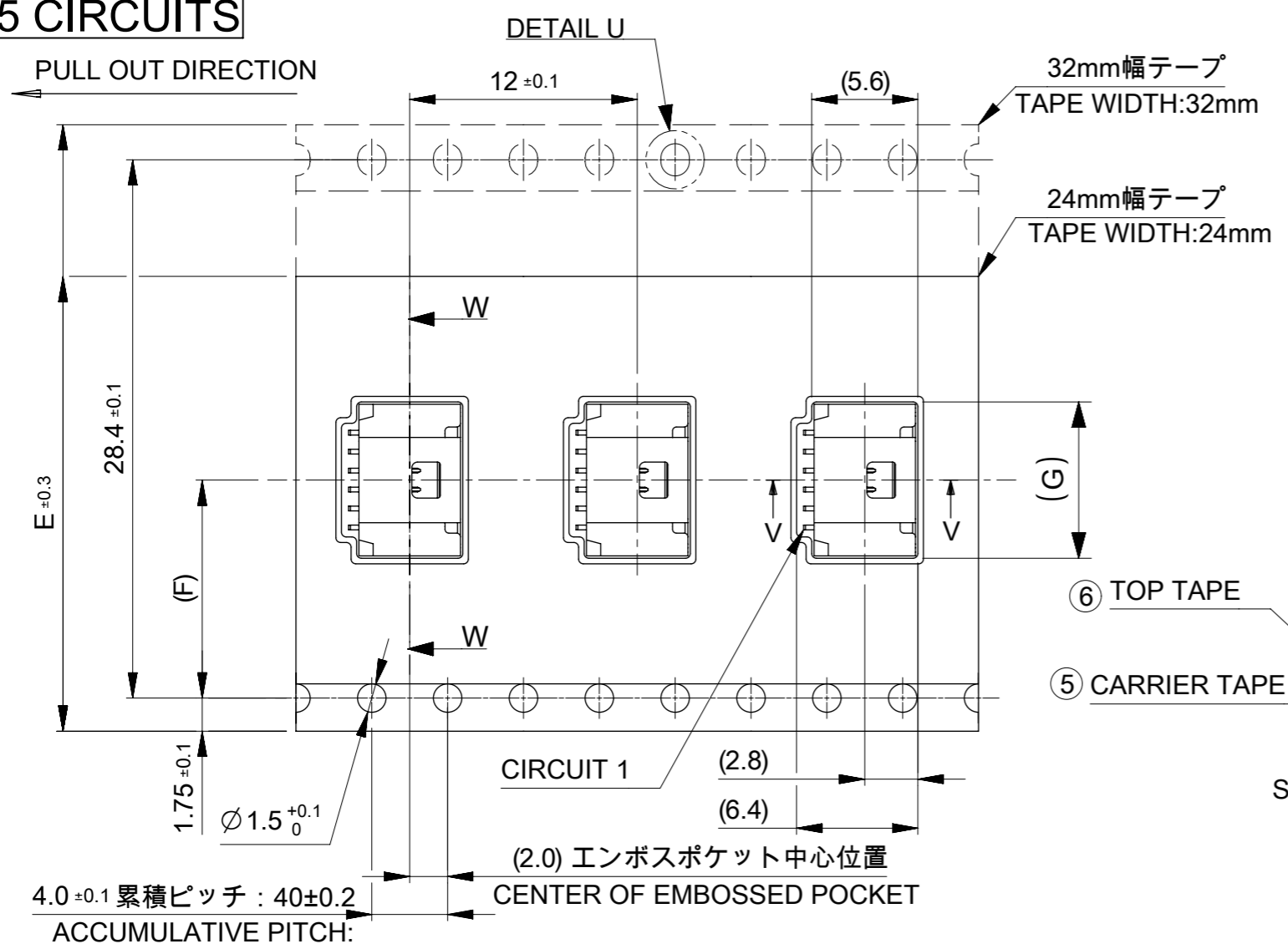
THIS DRAWING CONTAINS INFORMATION THAT IS PROPRIETARY TO MOLEX ELECTRONIC TECHNOLOGIES, LLC AND SHOULD NOT BE USED WITHOUT WRITTEN PERMISSION

DIMENSION UNITS mm	SCALE NTS	CURRENT REV DESC.	molex		
GENERAL TOLERANCES (UNLESS SPECIFIED)		EC NO: 698195	PICO-CLASP 1.0 W/B SINGLE ROW RA SMT INNER LOCK GOLD PLATING 0.38 MICRO-METER		
ANGULAR TOL	± 3.0 °	DRWN: MIKEDA01	PRODUCT CUSTOMER DRAWING		
4 PLACES	± 0.2	CHK'D: SAKIYAMA	DOCUMENT NUMBER	DOC TYPE	DOC PART
3 PLACES	± 0.2	APPR: AIDA	2035580000-SD	PSD	000
2 PLACES	± 0.2	INITIAL REVISION:	DATE	REVISION	
1 PLACE	± 0.2	DRWN: AISHIKAWA	2019/04/02	C	
0 PLACES	± 0.2	APPR: KOMURAKAMI	2019/04/05		
DRAFT WHERE APPLICABLE MUST REMAIN WITHIN DIMENSIONS	THIRD ANGLE PROJECTION	DRAWING	SERIES	MATERIAL NUMBER	CUSTOMER
		A3-SIZE	203558	SEE SHEET 6	SHEET NUMBER 4 OF 6

2~5 CIRCUITS



6~15 CIRCUITS



17.3			15
16.3	14.2	32	14
15.3			13
14.3			12
13.3			11
12.3			10
11.3	11.5	24	9
10.3			8
9.3			7
8.3			6
7.3			5
6.3	7.5	16	4
5.3			3
4.3			2
G	コネクタ中心位置 F SENER OF CONNECTOR	エンボステープ幅 E WIDTH OF TAPE	極数 CIRCUIT SIZE

THIS DRAWING CONTAINS INFORMATION THAT IS PROPRIETARY TO MOLEX ELECTRONIC TECHNOLOGIES, LLC AND SHOULD NOT BE USED WITHOUT WRITTEN PERMISSION

DIMENSION UNITS	SCALE	CURRENT REV DESC:	
mm	NTS		
GENERAL TOLERANCES (UNLESS SPECIFIED)			
ANGULAR TOL	± 3.0°		
4 PLACES	± 0.2	EC NO: 698195	
3 PLACES	± 0.2	DRWN: MIKEDA01	2022/02/28
2 PLACES	± 0.2	CHK'D: SAKIYAMA	2022/03/08
1 PLACE	± 0.2	APPR: AIDA	2022/03/08
0 PLACES	± 0.2	INITIAL REVISION:	
DRAFT WHERE APPLICABLE MUST REMAIN WITHIN DIMENSIONS		DRWN: AISHIKAWA	2019/04/02
THIRD ANGLE PROJECTION		APPR: KOMURAKAMI	2019/04/05
DRAWING	SERIES	MATERIAL NUMBER	CUSTOMER
A3-SIZE	203558	SEE SHEET 6	
DOCUMENT NUMBER		DOC TYPE	DOC PART
2035580000-SD		PSD	000
SHEET NUMBER		REVISION	
5 OF 6		C	

molex

PICO-CLASP 1.0 W/B
SINGLE ROW RA SMT INNER LOCK GOLD PLATING
0.38 MICRO-METER

PRODUCT CUSTOMER DRAWING

番号 NO.	部品 PART	材質 MATERIAL
⑤	キャリアテープ CARRIER TAPE	ポリプロピレン(PP)、その他 POLYPROPYLENE(PP), etc
⑥	トップテープ TOP TAPE	ポリエチレン(PE)、その他 POLYETHYLENE(PE), etc

DOCUMENT STATUS	P1	RELEASE DATE	2022/03/08	09:37:19
-----------------	----	--------------	------------	----------

10

9

8

7

6

5

4

3

2

1

F

F

E

E

D

D

C

C

B

B

A

A

△13 △15 製品一覧 PRODUCT LIST

HOUSING COLOR		
NATURAL(BEIGE)		
203558	1507	15
↑	1407	14
	1307	13
	1207	12
	1107	11
	1007	10
	0907	9
	0807	8
	0707	7
	0607	6
	0507	5
	0407	4
↓	0307	3
203558	0207	2
発注番号 ORDER No.		極数
梱包形態 : エンボスリール		CIRCUIT SIZE
PACKAGE:EMBOSSED REEL		

THIS DRAWING CONTAINS INFORMATION THAT IS PROPRIETARY TO MOLEX ELECTRONIC TECHNOLOGIES, LLC AND SHOULD NOT BE USED WITHOUT WRITTEN PERMISSION											
DIMENSION UNITS		SCALE		CURRENT REV DESC:				molex		PICO-CLASP 1.0 W/B SINGLE ROW RA SMT INNER LOCK GOLD PLATING 0.38 MICRO-METER	
mm		NTS									
GENERAL TOLERANCES (UNLESS SPECIFIED)				EC NO: 698195				PRODUCT CUSTOMER DRAWING			
ANGULAR TOL ± 3.0 °				DRWN: MIKEDA01 2022/02/28							
4 PLACES ± 0.2				CHK'D: SAKIYAMA 2022/03/08				DOCUMENT NUMBER 2035580000-SD			
3 PLACES ± 0.2				APPR: AIDA 2022/03/08							
2 PLACES ± 0.2				INITIAL REVISION:				DOC TYPE		DOC PART	
1 PLACE ± 0.2				DRWN: AISHIKAWA 2019/04/02				PSD		000	
0 PLACES ± 0.2				APPR: KOMURAKAMI 2019/04/05				REVISION		C	
DRAFT WHERE APPLICABLE MUST REMAIN WITHIN DIMENSIONS		THIRD ANGLE PROJECTION		DRAWING		SERIES		MATERIAL NUMBER		CUSTOMER	
				A3-SIZE		203558		SEE SHEET 6		SHEET NUMBER 6 OF 6	

DOCUMENT STATUS	P1	RELEASE DATE	2022/03/08	09:37:19
-----------------	----	--------------	------------	----------

FORMAT: master-b-prod-A3 REVISION: 11 DATE: 2021/05/01

9

8

7

6

5

4

3

2

1