

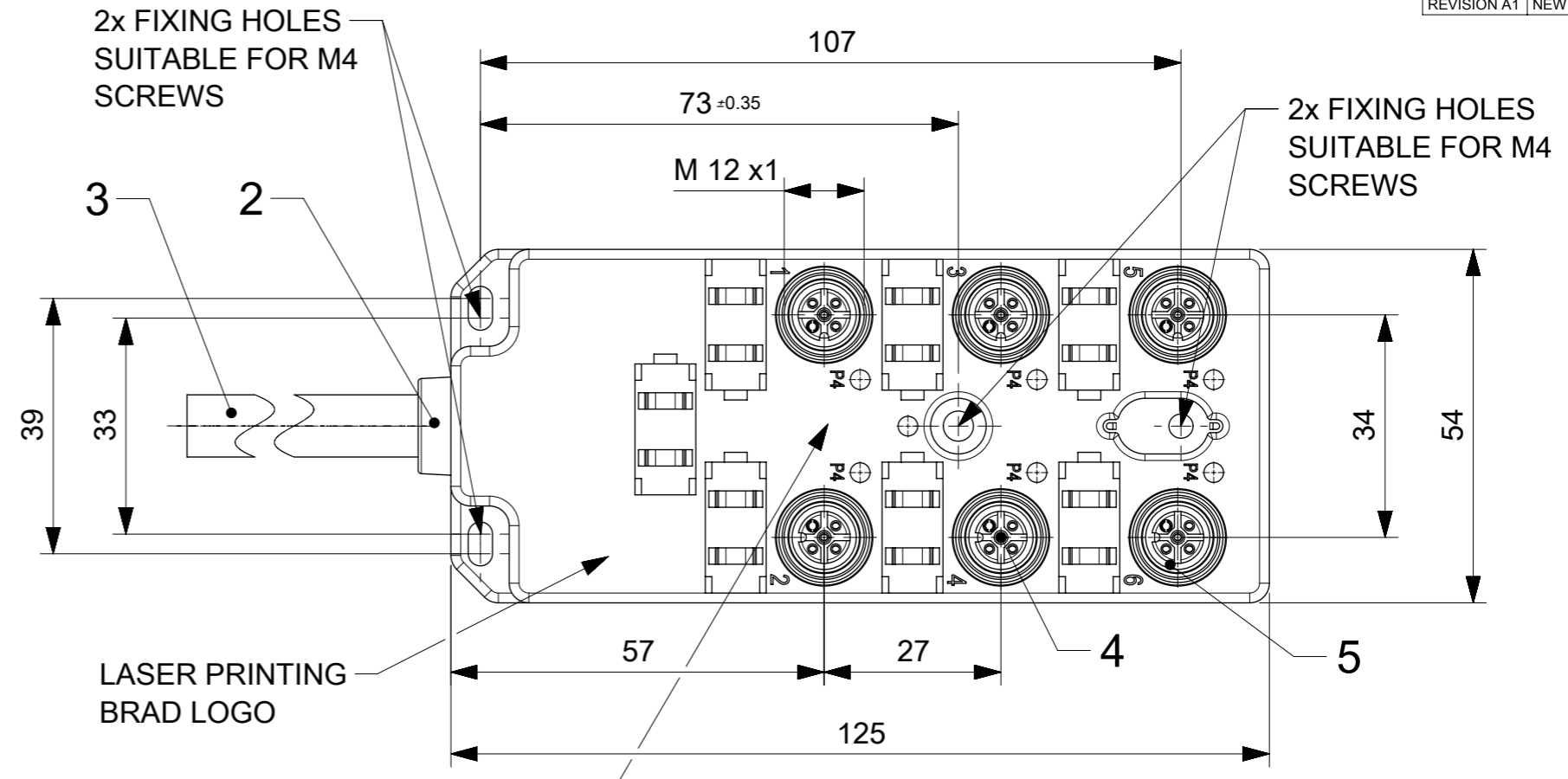
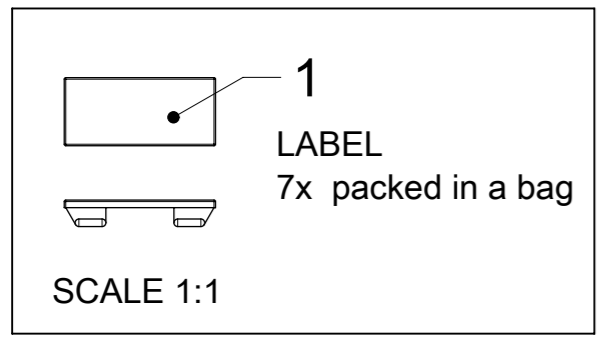
TABLE 1

MOLEX P/N	ENG. NO.	CABLE LENGTH (mm)	LED
1202480010	BTB6000-FBW-05	5000	NO
1202480011	BTB6000-FBW-10	10000	NO
1202480012	BTB6000-FBW-15	15000	NO
1202480013	BTB600P-FBW-05	5000	YES
1202480014	BTB600P-FBW-10	10000	YES
1202480015	BTB600P-FBW-15	15000	YES
1202480144	BTB600P-FBW-20	20000	YES
1202480016	BTB600N-FBW-05	5000	YES
1202480017	BTB600N-FBW-10	10000	YES
1202480018	BTB600N-FBW-15	15000	YES

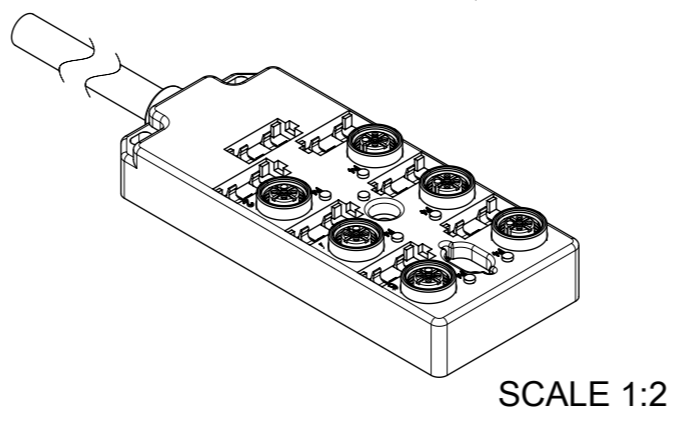
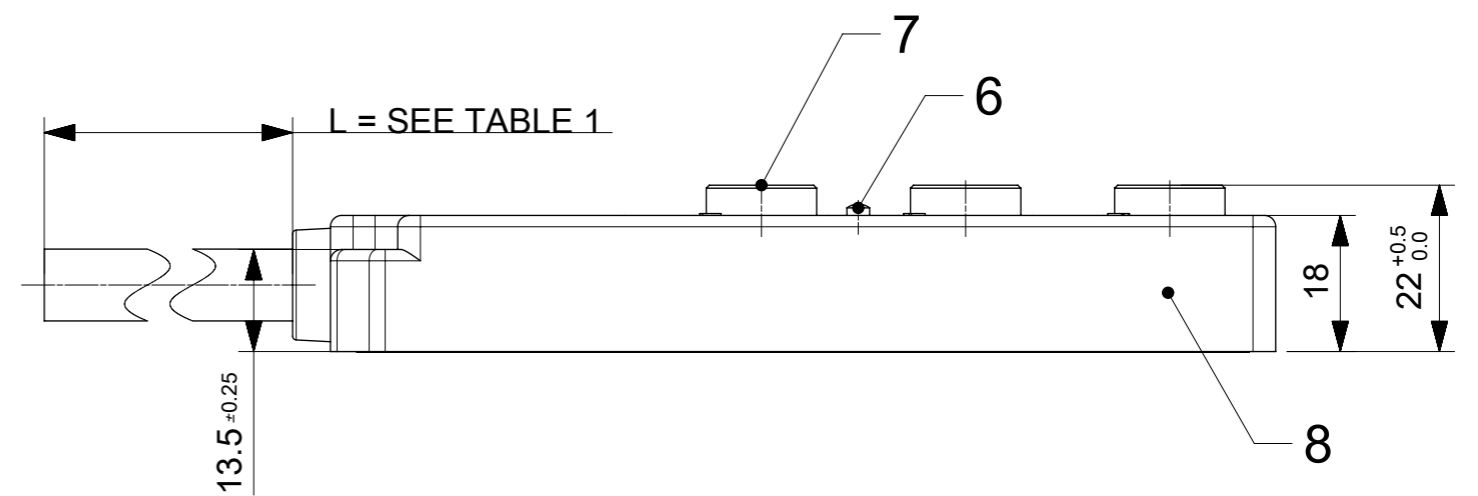
A1

TABLE 2 BILL OF MATERIAL

ITEM	DESCRIPTION	MATERIAL	FINISH
1	LABEL	ABS	WHITE
2	CABLE PLATE	PBT	BLACK
3	CABLE	TPU BASED	BLACK
4	CONTACT	BRONZE	GOLD OVER NICKEL
5	O-RING	FPM	RED
6	LED	NO LED = PA	BLACK
		WITH LED = PA	TRANSPARENT
7	SHELL	BRASS	NICKEL PLATED
8	HOUSING	PBT	BLACK



LASER PRINTING:
PN: 120248XXXX
ENG.: BTB600X-FBW-XX
PO: XXXXXXXXXX



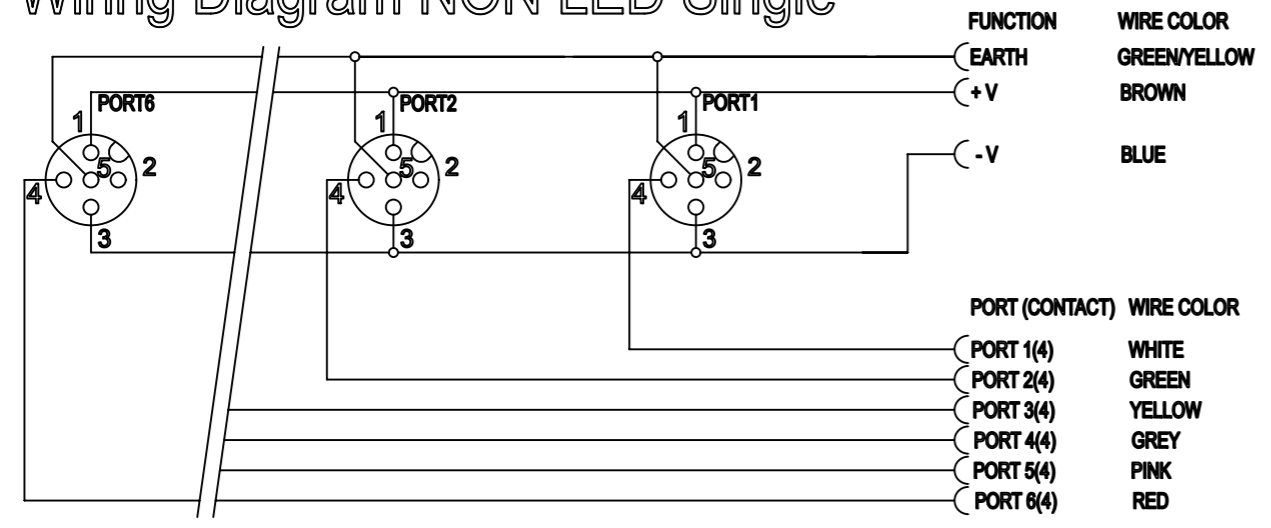
GENERAL CHARACTERISTICS:

ELECTRICAL AND MECHANICAL DATA ACC. TO IEC 61076-2-101

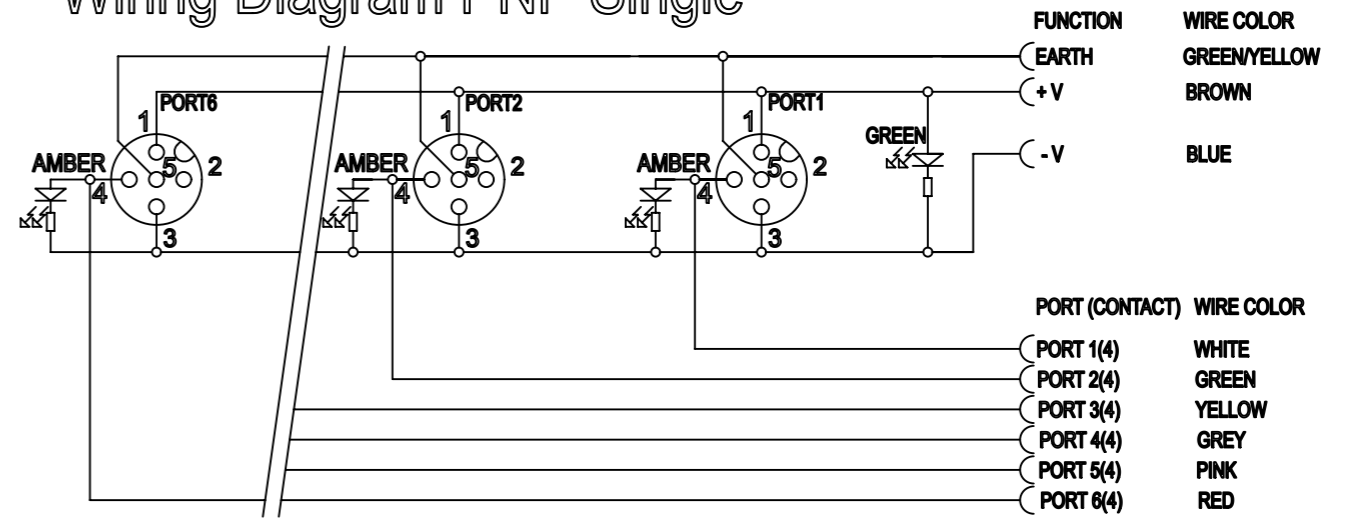
NOMINAL VOLTAGE: 10-30 V DC
 AMPERE RATING: 4 A PER PORT / 12 A MAX
 AMPERE RATING WITH UL REGISTRATION: 3 A PER PORT / 9 A MAX
 IP DEGREE OF PROTECTION: IP 67
 TEMPERATURE RANGE: -25°C to + 85°C

SYMBOLS	DIMENSION UNITS	SCALE	CURRENT REV DESC: LASER PRINT UPDATE		
▽ = 0	mm		molex MPIS M12 PNP NPN NOS 4P 6PT AC FE STR XM STA SINGLE		
▽ = 0	GENERAL TOLERANCES (UNLESS SPECIFIED)				
▽ = 0	ANGULAR TOL ± °		EC NO: 606042	2018/08/28	
▽ = 0	4 PLACES	±	DRWN: SSM	2018/10/18	
▽ = 0	3 PLACES	±	CHK'D: RSILLER	2018/10/18	
▽ = 0	2 PLACES	±	APPR: RSILLER	2018/10/18	
▽ = 0	1 PLACE	±	INITIAL REVISION:		
▽ = 0	0 PLACES	± 0.25	DRWN: AAHLERS	2015/04/01	
■ = 0	DRAFT WHERE APPLICABLE MUST REMAIN WITHIN DIMENSIONS		APPR: RSILLER	2018/02/09	
▽ = 0	THIRD ANGLE PROJECTION		DRAWING	SERIES	MATERIAL NUMBER
			A3-SIZE	120248	SEE TABLE 1
			CUSTOMER	SHEET NUMBER	
			GENERAL MARKET	1 OF 2	

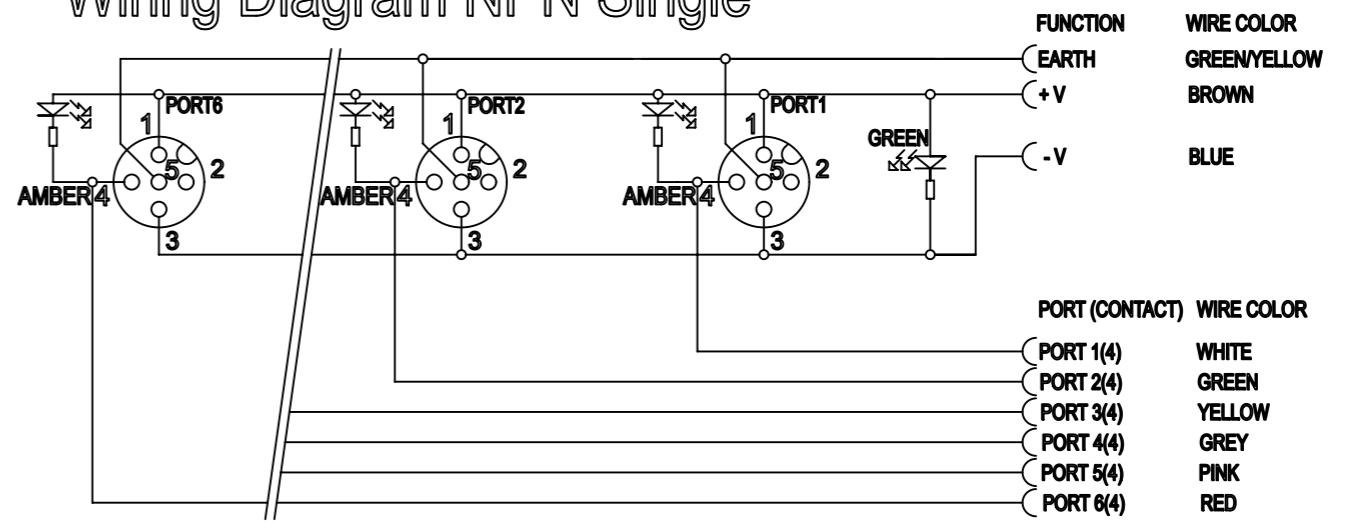
Wiring Diagram NON LED Single



Wiring Diagram PNP Single



Wiring Diagram NPN Single



SYMBOLS DIMENSION UNITS: mm SCALE: 1:1 GENERAL TOLERANCES (UNLESS SPECIFIED): ANGULAR TOL: ± 0° 4 PLACES: ± 0.125 3 PLACES: ± 0.25 2 PLACES: ± 0.5 1 PLACE: ± 1.0 0 PLACES: ± 0.25 DRAFT WHERE APPLICABLE MUST REMAIN WITHIN DIMENSIONS THIRD ANGLE PROJECTION	THIS DRAWING CONTAINS INFORMATION THAT IS PROPRIETARY TO MOLEX ELECTRONIC TECHNOLOGIES, LLC AND SHOULD NOT BE USED WITHOUT WRITTEN PERMISSION		CURRENT REV DESC: LASER PRINT UPDATE			
	EC NO: 606042		2018/08/28			MPIS M12 PNP NPN NOS 4P 6PT AC FE STR XM STA SINGLE
	DRWN: SSM		2018/10/18			
	CHK'D: RSILLER		2018/10/18			
APPR: RSILLER		2018/10/18		PRODUCT CUSTOMER DRAWING		
INITIAL REVISION:		DOCUMENT NUMBER		DOC TYPE		
DRWN: AAHLERS		1202480010		PSD		
APPR: RSILLER		2015/04/01		000		
2018/02/09		SERIES		REVISION		
A3-SIZE		120248		B		
MATERIAL NUMBER		CUSTOMER		SHEET NUMBER		
SEE TABLE 1		GENERAL MARKET		2 OF 2		