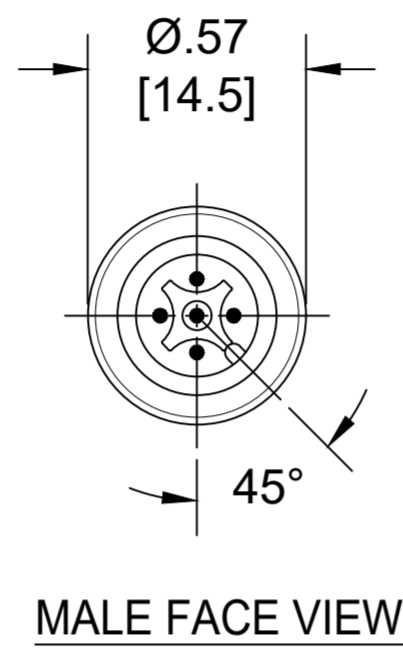


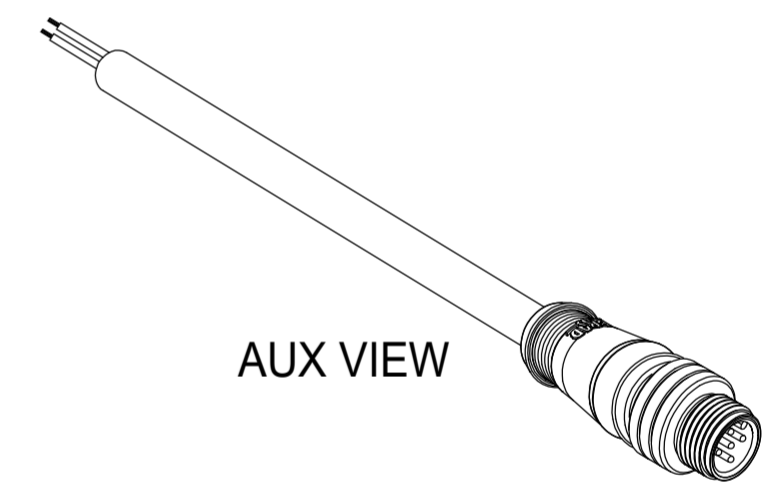
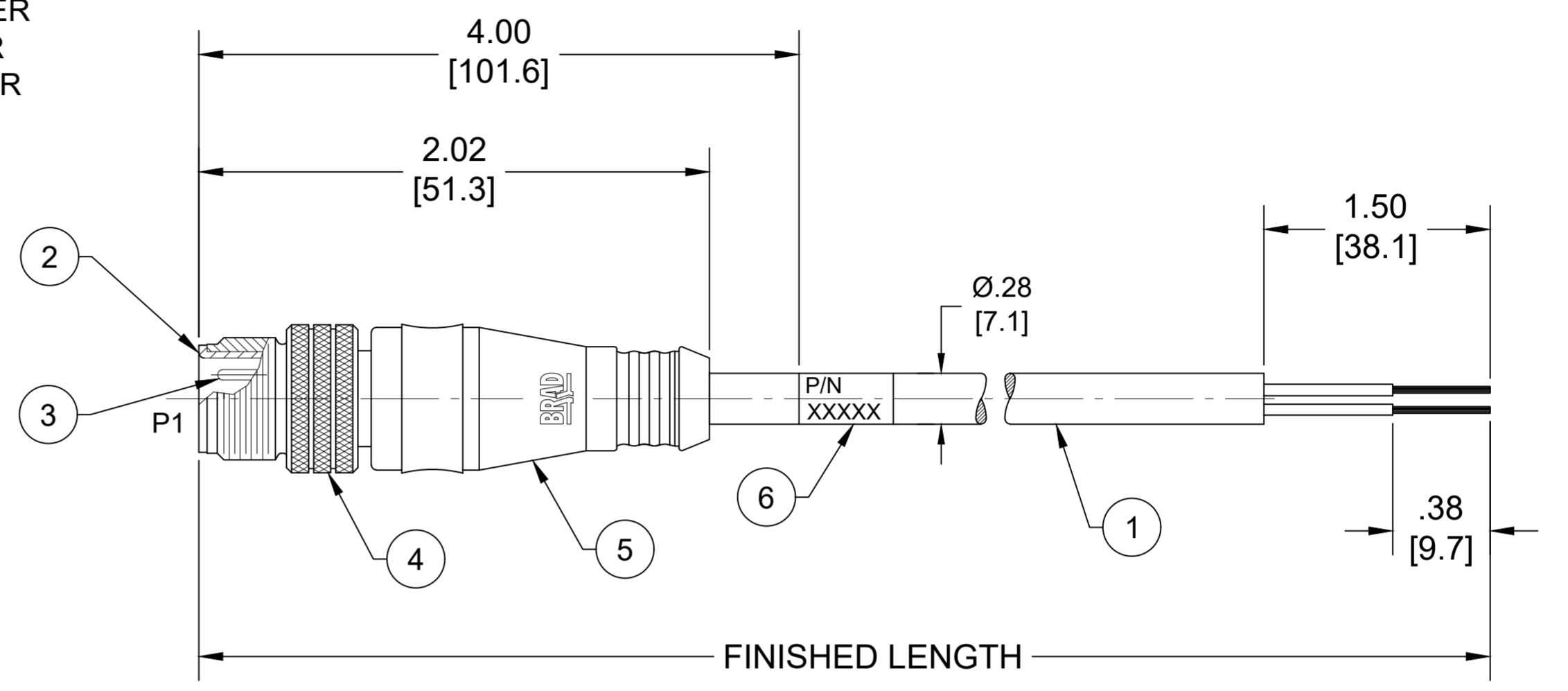
PART NUMBER LEGEND
805006K03M010

FINISHED LENGTH
M005 = 0.5 METER
M010 = 1 METER
M100 = 10 METER



PART NO	ENGINEERING NO.	FINISHED LENGTH
1200659221	805006K03M010	1M [3FT 3 IN]
1200652423	805006K03M150	15M [49FT 2 IN]
1200659223	805006K03M300	30M [98FT 5 IN]

- NOTES:**
- MATERIAL: AS NOTED
 - FINISH: AS NOTED
 - ELECTRICAL:
VOLTAGE: 250V
CURRENT: 4A
 - TEMP RATING: -20°TO +105°C
 - PROTECTION: IP67 (WHEN MATED)
 - COUPLING THREAD: M12X1
 - UL RECOGNIZED FILE: E152210
CSA CERTIFIED FILE: LR6837
 - ALL DIMENSIONS ARE FOR REFERENCE
UNLESS TOLERANCED OR NOTED OTHERWISE



P1

1	BROWN
2	WHITE
3	BLUE
4	BLACK
5	GRAY

CABLE LENGTH TOLERANCES

<.3M [1FT]: +19mm-0 [+ .75in-0]
.3 - .9M [1 - 3FT]: +44.5mm-0 [+1.75in-0]
.9 - 1.8M [3 - 6FT]: +55.6mm-0 [+2.19in-0]
1.8 - 3.7M [6 - 12FT]: +88.9mm-0 [+3.50in-0]
3.7 - 7.3M [12 - 24FT]: +165.1mm-0 [+6.50in-0]
7.3-14.6M [24 - 48FT]: +317.5mm-0 [+12.50in-0]
14.6 - 30.5M [48-100FT]: +622.3mm-0 [+24.50in-0]
OVER 30M [100FT] +2% OF FINISHED LENGTH

ITEM	DESCRIPTION	MATERIAL	FINISH
6	WRAP LABEL	VINYL	BLACK/YELLOW
5	OVERMOLD	TPC	YELLOW
4	COUPLING NUT	BRASS	TEFLON/NICKEL
3	CONTACT PIN	COPPER ALLOY	GOLD OVER NICKEL
2	MALE INSERT	PUR	BLACK
1	CABLE #18AWG (C)	TPE JACKET	YELLOW

WIRING DIAGRAM

FUNCTIONAL SYMBOLS	THIS DRAWING CONTAINS INFORMATION THAT IS PROPRIETARY TO MOLEX ELECTRONIC TECHNOLOGIES, LLC AND SHOULD NOT BE USED WITHOUT WRITTEN PERMISSION		CURRENT REV DESC: CABLE CHANGED TO 18AWG. REVISED FLEX DATA	
	DIMENSION UNITS	SCALE	EC NO: 715560	
	INCH/MM	NTS	DRWN: RSTONE	2022/07/26
	GENERAL TOLERANCES (UNLESS SPECIFIED)		CHK'D: MZIELINSKI	2022/07/27
DIVISIONAL SYMBOLS	4 PLACES	mm	APPR: BWOODMAN	2022/08/05
	3 PLACES	INCH	INITIAL REVISION:	
	2 PLACES	±----	DRWN: BWOODMAN	2009/08/17
	1 PLACE	±----	APPR: JFMURPHY	2009/08/21
ANGULAR TOL ± ---- °		THIRD ANGLE PROJECTION	DRAWING	SERIES
DRAFT WHERE APPLICABLE MUST REMAIN WITHIN DIMENSIONS		SEE CHART	C-SIZE	120065

DOCUMENT NUMBER		DOC TYPE/DOC PART/REVISION	
SD-120065-021		PSD 001 C	
MATERIAL NUMBER		CUSTOMER	
SEE CHART		GENERAL MARKET	
SHEET NUMBER		1 OF 1	