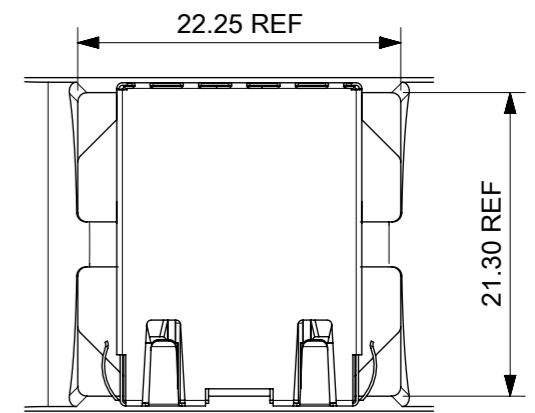
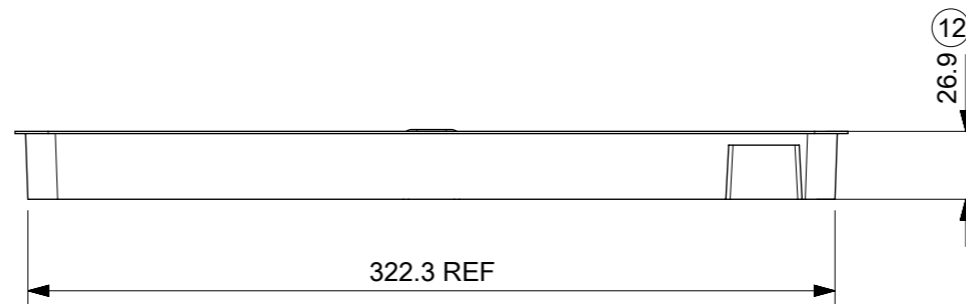
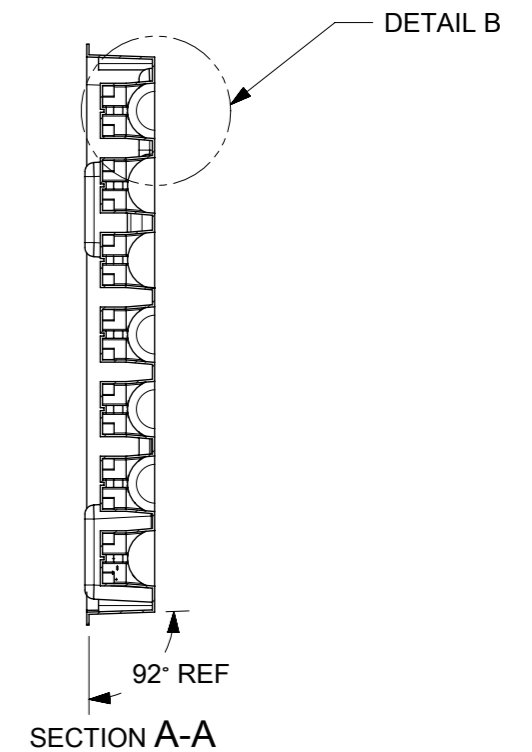
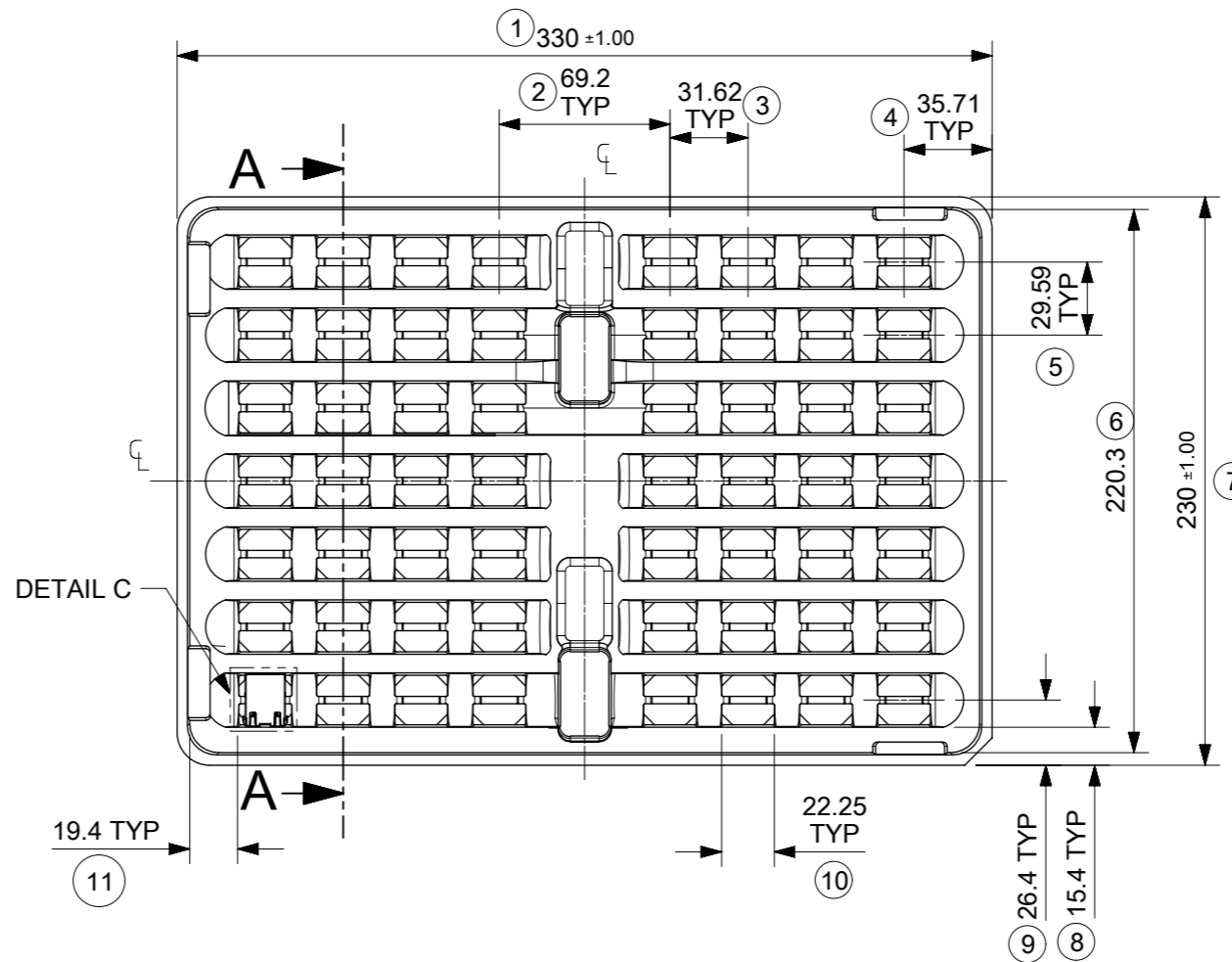


DETAIL B



DETAIL C
SCALE 2:1

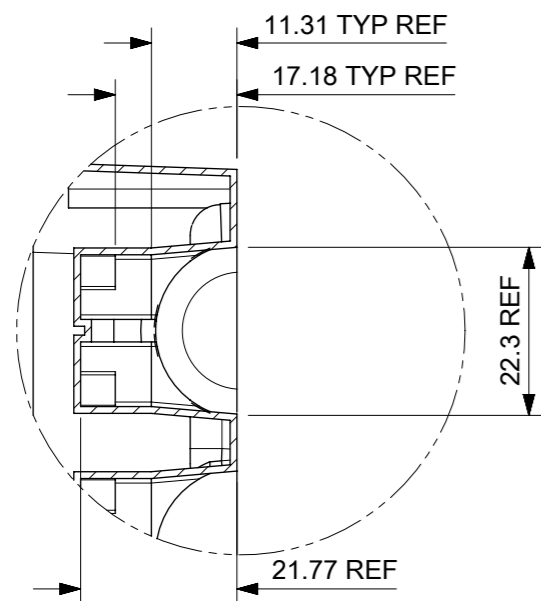


NOTES:

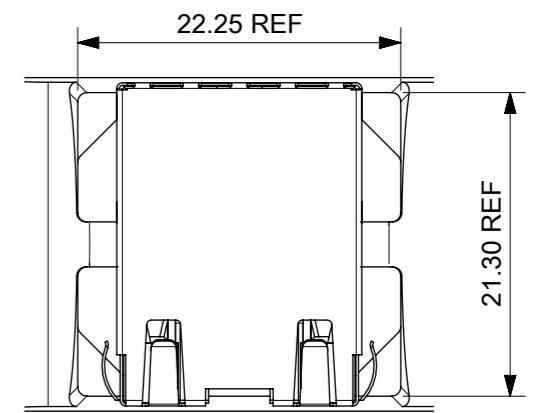
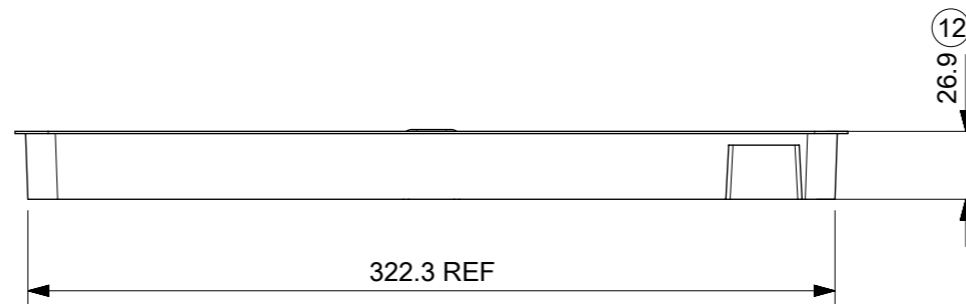
1. MATERIAL: PETA ANTISTATIC
2. THICKNESS: 0.9 mm ± 0.05 mm
3. COLOUR: CLEAR
4. BOW 2 mm MAXIMUM PER 330 mm
5. TWIST 2 mm MAXIMUM PER 330 mm
6. TRAY PART NO. AND RECYCLE LOGO TO BE CLEARLY MARKED ON TRAY
RECYCLE LOGO SHOULD BE APPROPRIATE TO MATERIAL USED
7. WHERE RELEVANT, DIMENSIONS SHOULD BE SYMMETRICAL ABOUT THE CENTRELINE
8. GENERAL PROFILE TOLERANCE $\overline{\cup}$ 0.40 ON NON DIMENSIONED FEATURES

LAST INSPECTION NUMBER USED: 12

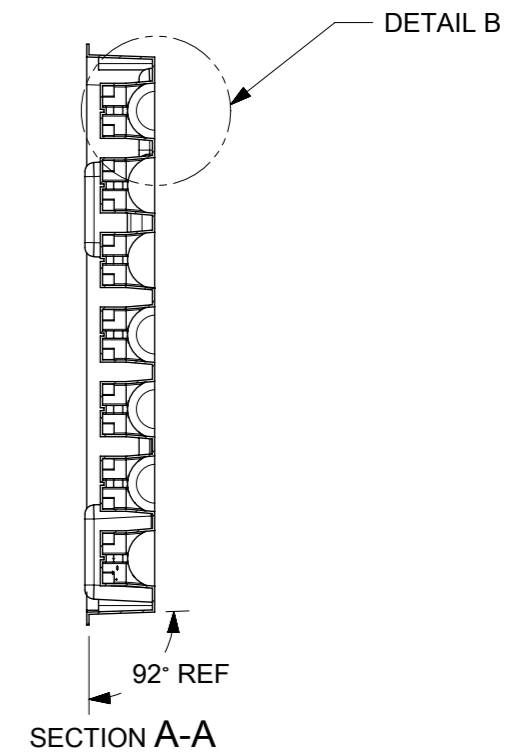
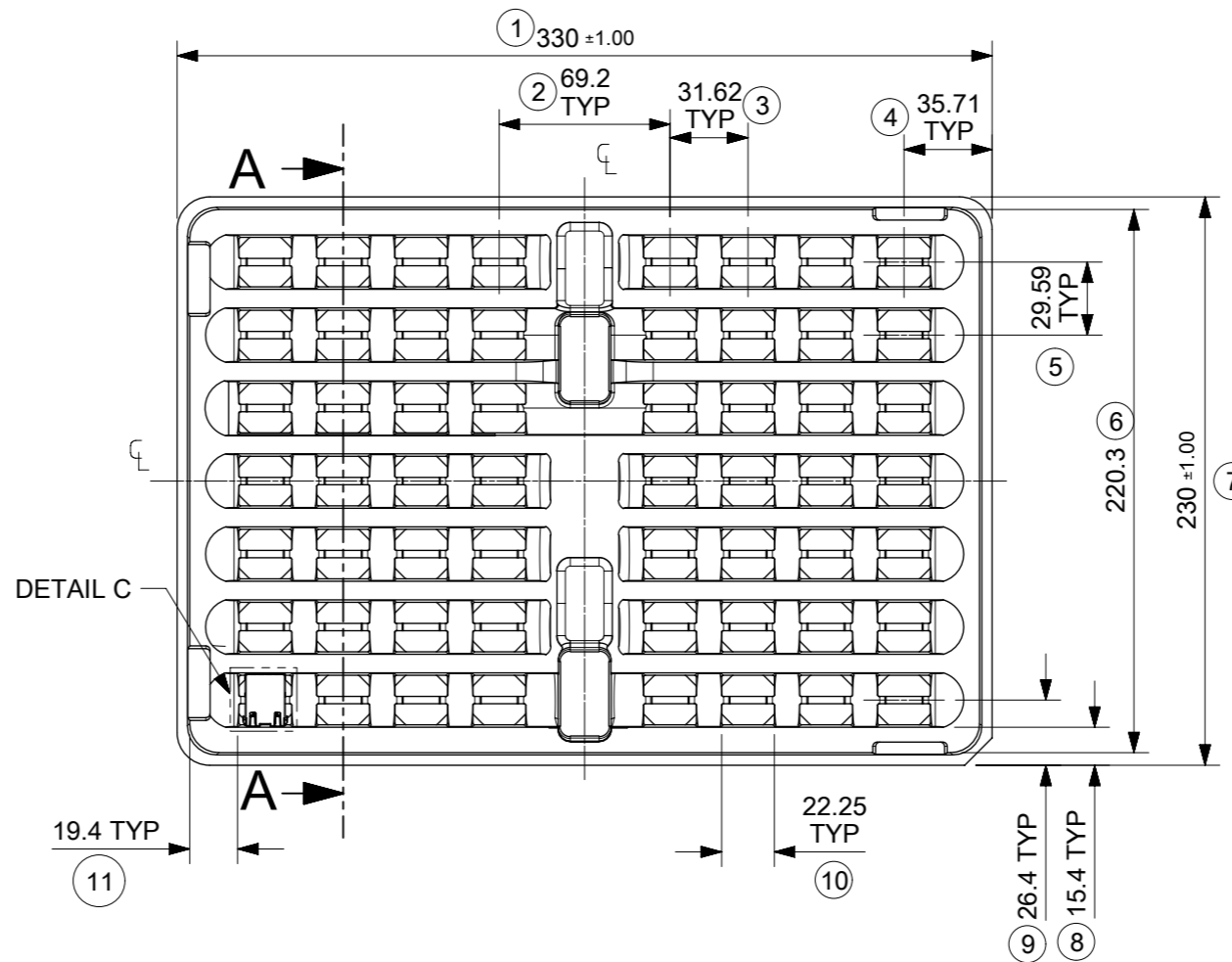
THIS DRAWING CONTAINS INFORMATION THAT IS PROPRIETARY TO MOLEX ELECTRONIC TECHNOLOGIES, LLC AND SHOULD NOT BE USED WITHOUT WRITTEN PERMISSION									
DIMENSION UNITS		SCALE		CURRENT REV DESC: REMOVED REFERENCE TO QUANTITY OF TRAYS PER STACK				molex	
mm		1:3							
GENERAL TOLERANCES (UNLESS SPECIFIED)				EC NO: 602124				MXMAG STANDARD AND INVERTED TRAY	
ANGULAR TOL ± 1.0°				DRWN: DSHEA 2018/09/07					
4 PLACES ±				CHK'D: DBYRNES 2019/01/25					
3 PLACES ±				APPR: DBYRNES 2019/01/25					
2 PLACES ± 0.2				INITIAL REVISION:				PRODUCT CUSTOMER DRAWING	
1 PLACE ± 0.5				DRWN: KREILLY 2016/05/06				DOCUMENT NUMBER	
0 PLACES ±				APPR: STGRIFFIN 2016/12/07				934620003	
DRAFT WHERE APPLICABLE MUST REMAIN WITHIN DIMENSIONS		THIRD ANGLE PROJECTION		DRAWING		SERIES		MATERIAL NUMBER	
				A3-SIZE		93462		990250150	
				CUSTOMER		REVISION		SHEET NUMBER	
				GENERAL MARKET		B		1 OF 1	



DETAIL B



DETAIL C
SCALE 2:1



NOTES:

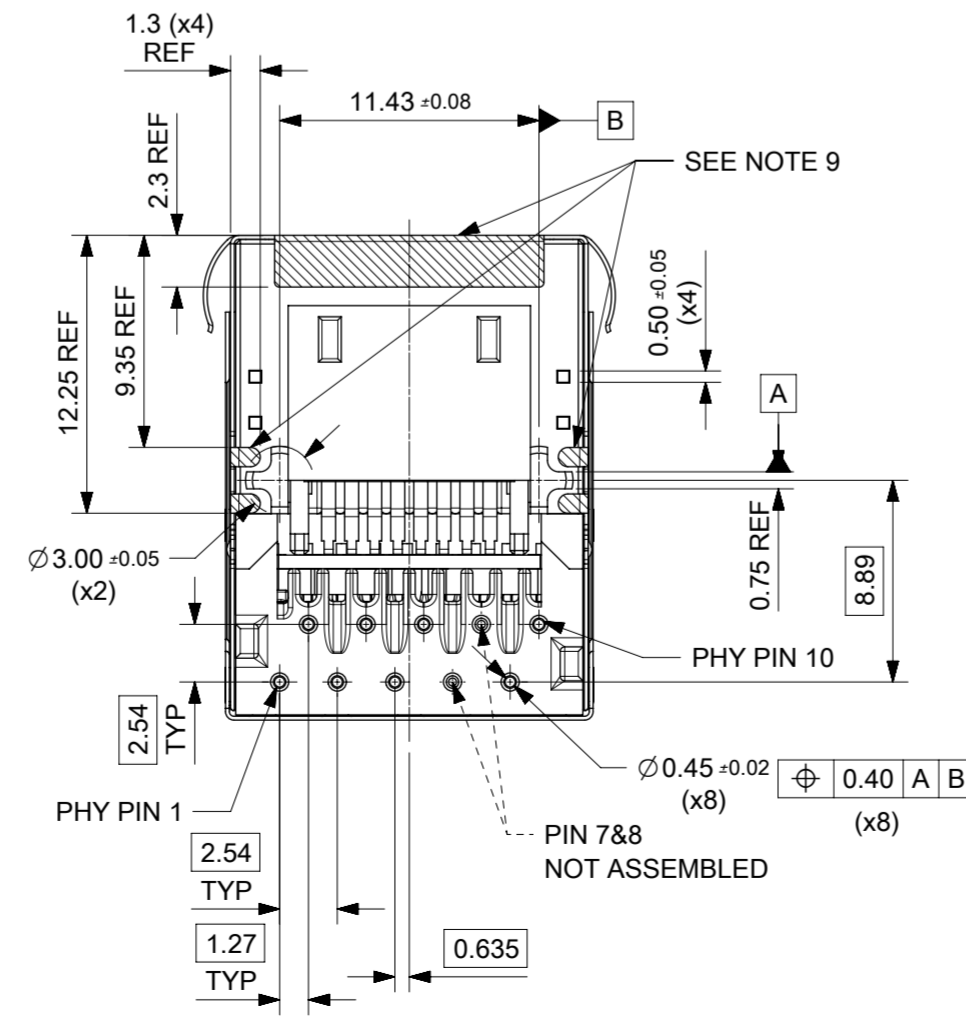
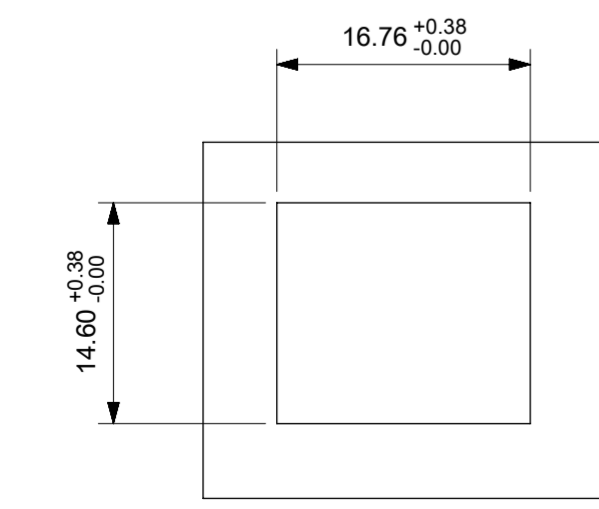
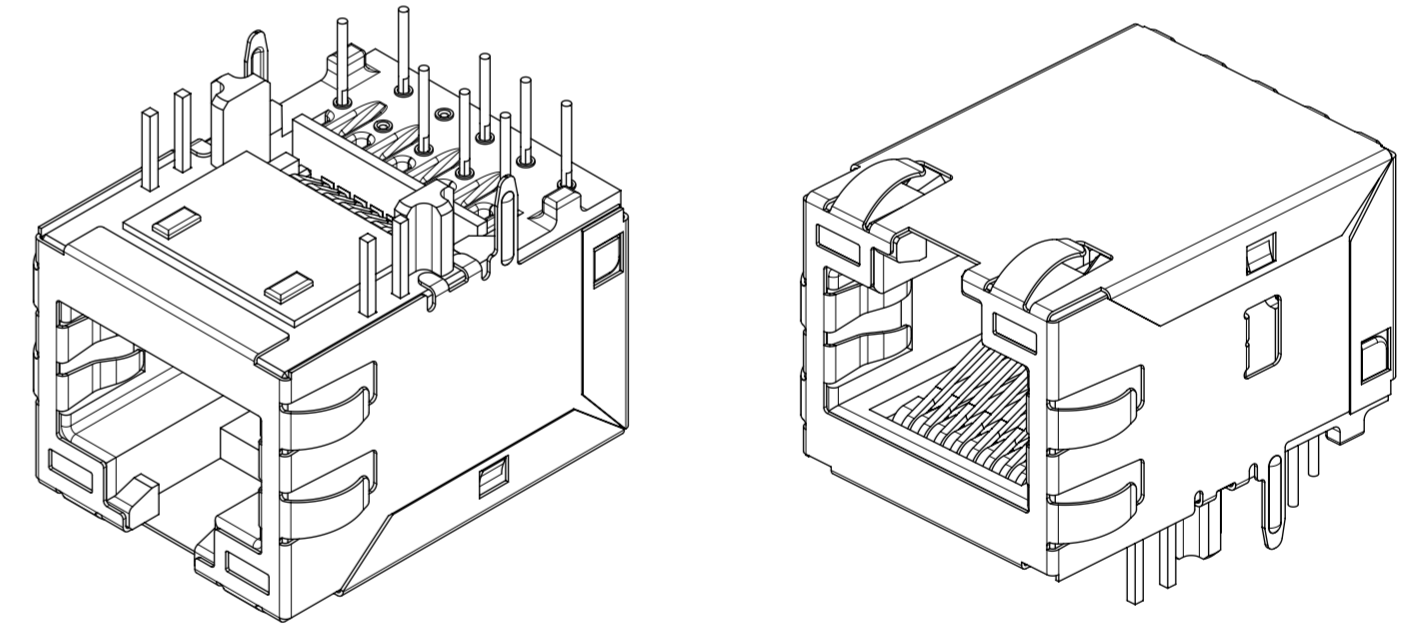
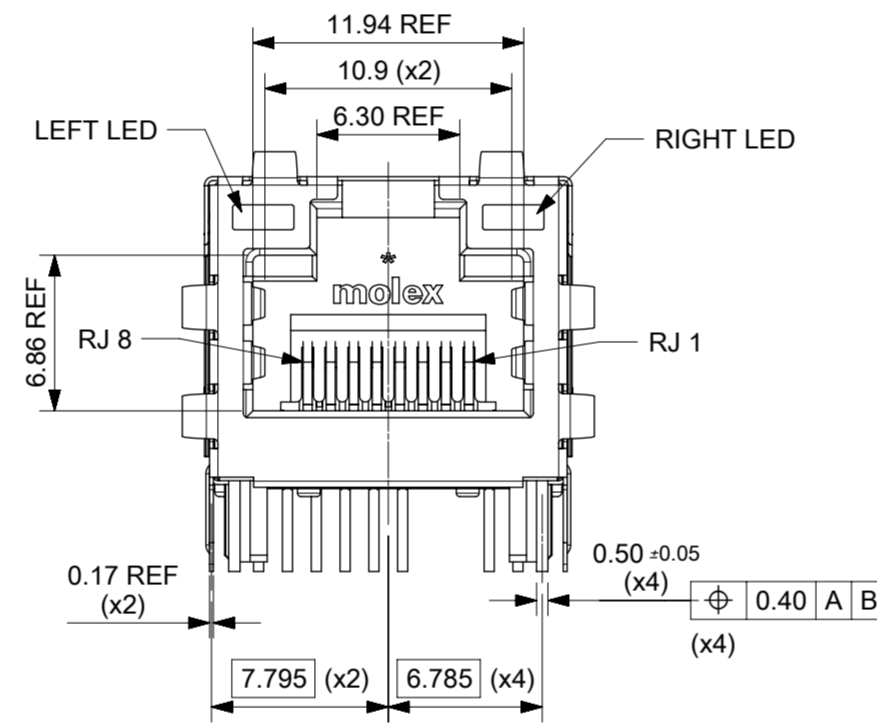
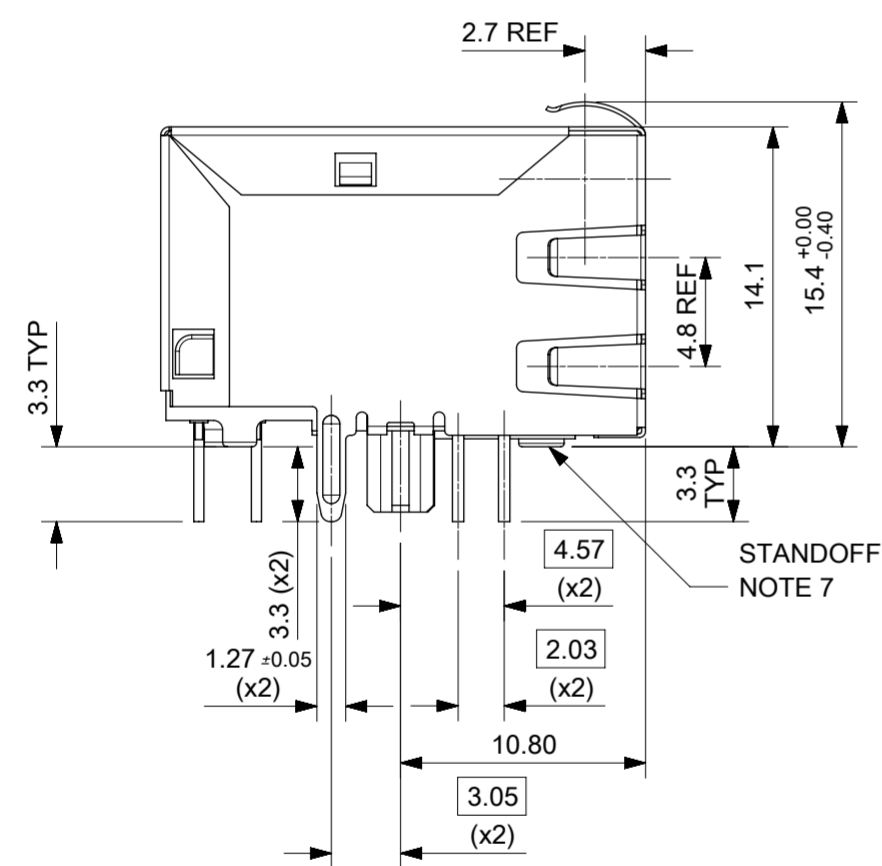
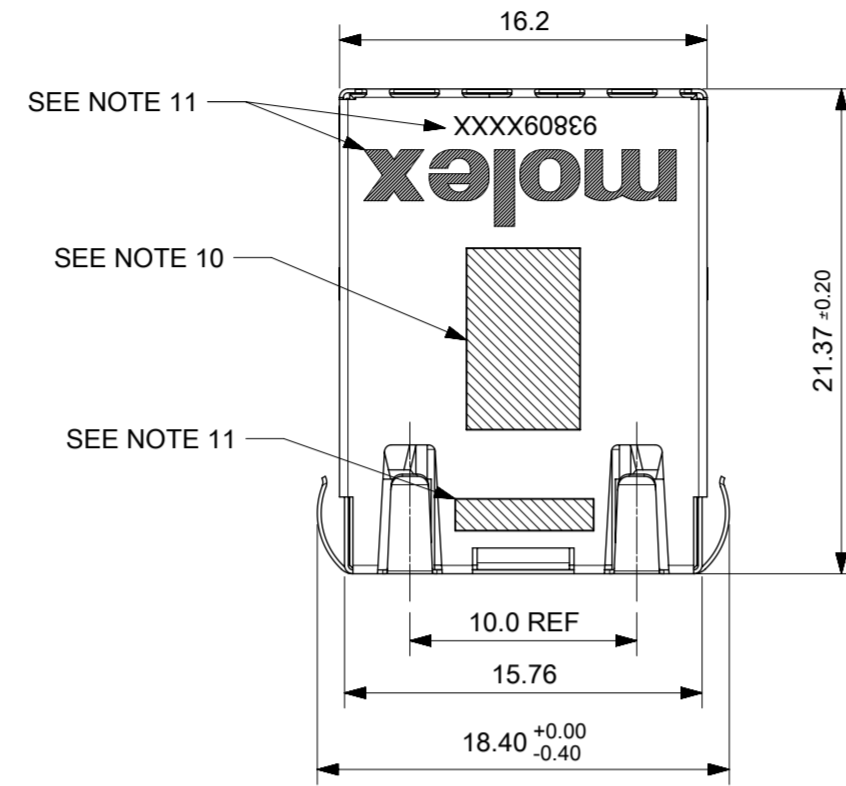
1. MATERIAL: PETA ANTISTATIC
2. THICKNESS: 0.9 mm ± 0.05 mm
3. COLOUR: CLEAR
4. BOW 2 mm MAXIMUM PER 330 mm
5. TWIST 2 mm MAXIMUM PER 330 mm
6. TRAY PART NO. AND RECYCLE LOGO TO BE CLEARLY MARKED ON TRAY
RECYCLE LOGO SHOULD BE APPROPRIATE TO MATERIAL USED
7. WHERE RELEVANT, DIMENSIONS SHOULD BE SYMMETRICAL ABOUT THE CENTRELINE
8. GENERAL PROFILE TOLERANCE $\overline{\cup}$ 0.40 ON NON DIMENSIONED FEATURES

LAST INSPECTION NUMBER USED: 12

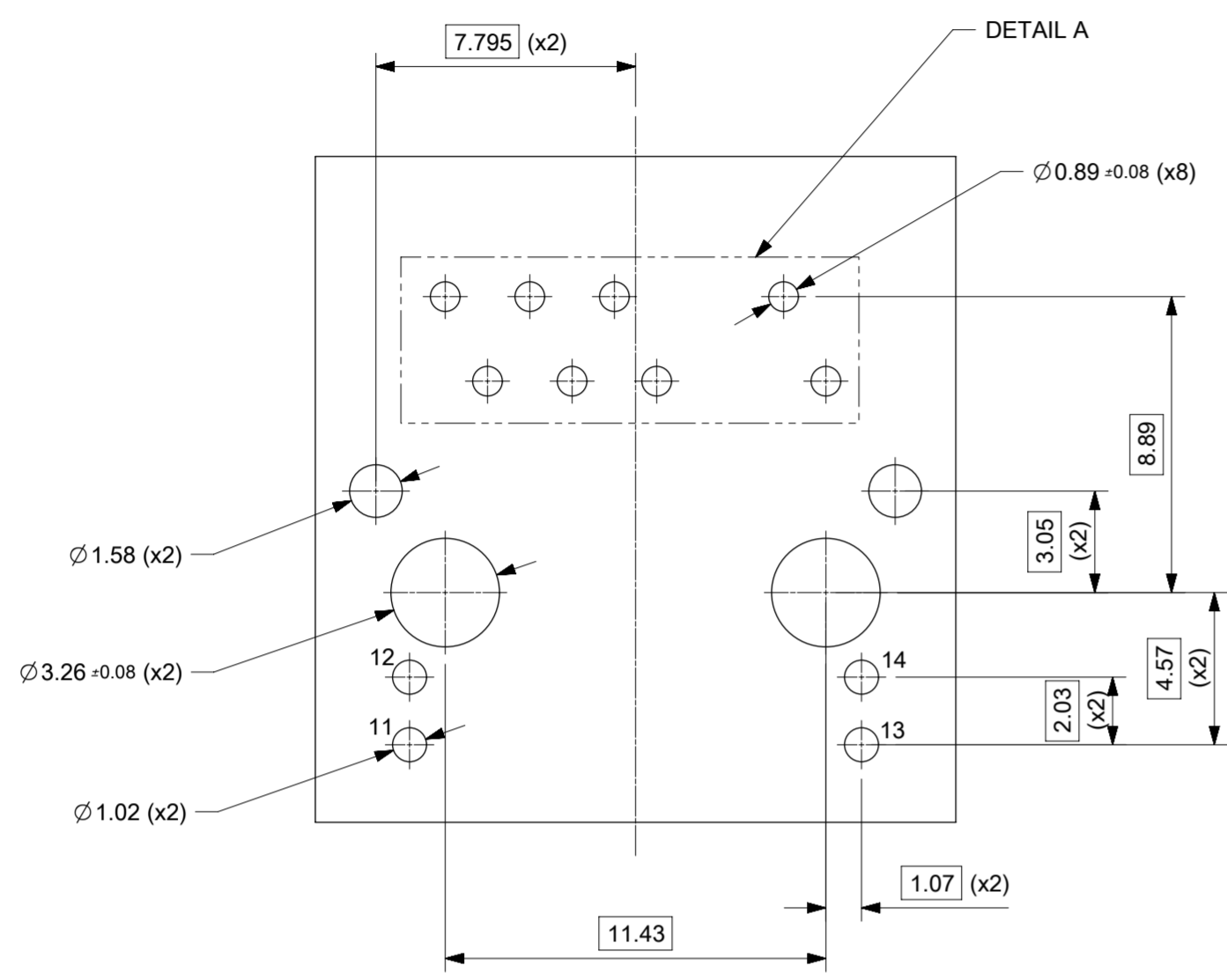
THIS DRAWING CONTAINS INFORMATION THAT IS PROPRIETARY TO MOLEX ELECTRONIC TECHNOLOGIES, LLC AND SHOULD NOT BE USED WITHOUT WRITTEN PERMISSION									
DIMENSION UNITS		SCALE		CURRENT REV DESC: REMOVED REFERENCE TO QUANTITY OF TRAYS PER STACK				molex	
mm		1:3							
GENERAL TOLERANCES (UNLESS SPECIFIED)				EC NO: 602124				MXMAG STANDARD AND INVERTED TRAY	
ANGULAR TOL ± 1.0°				DRWN: DSHEA		2018/09/07			
4 PLACES ±				CHK'D: DBYRNES		2019/01/25			
3 PLACES ±				APPR: DBYRNES		2019/01/25			
2 PLACES ± 0.2				INITIAL REVISION:				PRODUCT CUSTOMER DRAWING	
1 PLACE ± 0.5				DRWN: KREILLY		2016/05/06		DOCUMENT NUMBER	
0 PLACES ±				APPR: STGRIFFIN		2016/12/07		934620003	
DRAFT WHERE APPLICABLE MUST REMAIN WITHIN DIMENSIONS		THIRD ANGLE PROJECTION		DRAWING		SERIES		MATERIAL NUMBER	
				A3-SIZE		93462		990250150	
				CUSTOMER		GENERAL MARKET		SHEET NUMBER	
								1 OF 1	

INVERTED PROFILE MAGNETIC JACK
FAST ETHERNET W/LED, W/PoE
& W/SHIELD TABS

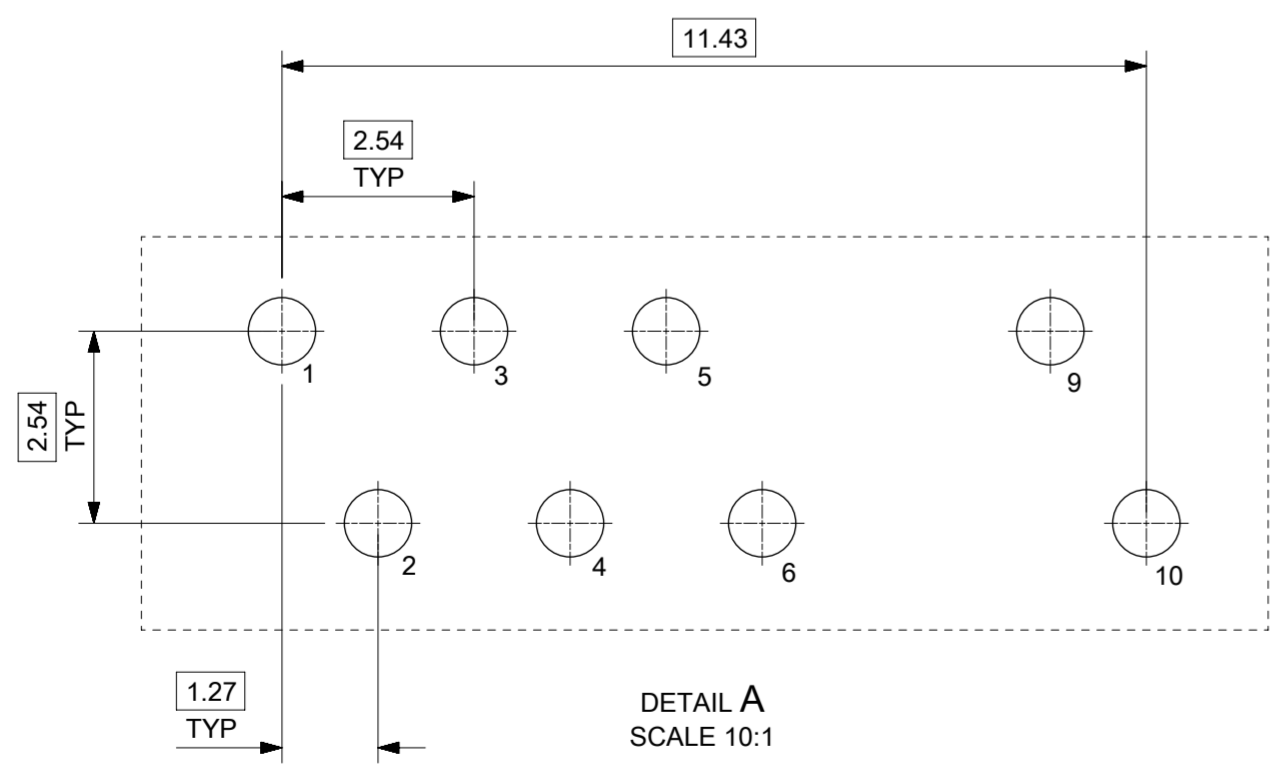
- NOTES:
- SHIELD MATERIAL: 0.17MM THICK BRASS PRE-PLATED WITH NICKEL
SOLDER TABS POST DIPPED WITH 1.27µm SOLDER.
 - HOUSING MATERIAL: LCP, BLACK, UL 94V-0
 - TERMINALS MATERIAL: PHOSPHOR BRONZE
RJ45 CONTACTS PLATING: BASE NICKEL PLATED WITH GOLD
FLASH OVER PALLADIUM NICKEL. REFER TO 938090001 PSP
PHY SOLDER TAILS: COPPER ALLOY
 - MATING INTERFACE ACCORDING TO IEC 60603-7 & TIA-1096-A
 - PRODUCT SPECIFICATION: 938090001 PSP
 - PACKAGING SPECIFICATION: 934620001 PSK TRAY
 - STAND OFF TO SYSTEM BOARD 0.30MM MIN
 - RECOMMENDED PCB THICKNESS: 1.57MM
 - SHIELD: AVOID ROUTING TRACES
OR PLACING ANY VIAS BELOW THESE AREAS.
 - AREA FOR PICK AND PLACE: 5.0mm X 8.0mm
 - INSCRIPTION MARKED BY LASER:
1st : MOLEX
2st : P/N (SEE BOM)
3rd : DATE CODE(DAY/WEEK/YEAR)
 - MATERIAL COMPLIANT TO RoHS DIRECTIVE 2002/95/EC



QUALITY SYMBOLS	THIS DRAWING CONTAINS INFORMATION THAT IS PROPRIETARY TO MOLEX ELECTRONIC TECHNOLOGIES, LLC AND SHOULD NOT BE USED WITHOUT WRITTEN PERMISSION		GENERAL TOLERANCES (UNLESS SPECIFIED)		DIMENSION UNITS	SCALE	molex MXMAG POE 10/100 INV PRO IND TEMP	
▽ = 0	2017/03/14	2017/03/14	4 PLACES ±	MM	3:1	PRODUCT CUSTOMER DRAWING		
▽ = 0	DRWN: DBYRNES	CHKD: DSHEA	3 PLACES ±	ANGULAR TOL ± 2.0 °	DRWN BY	DATE	SERIES MATERIAL NUMBER CUSTOMER	
▽ = 0	ORIGINAL RELEASE	2017/03/24	2 PLACES ± 0.1		DBYRNES	2017/03/14	93809 SEE CHART	
▽ = 0	EC NO: 114183		1 PLACE ± 0.2		CHK'D BY	DATE	DOCUMENT NUMBER DOC TYPE DOC PART SHEET NUMBER	
▽ = 0	DRWN: DBYRNES	CHKD: DSHEA	0 PLACES ±		DSHEA	2017/03/14	938098046 PSD 001 1 OF 3	
▽ = 0	APPR: STGRIFFIN	2017/03/24			STGRIFFIN	2017/03/24		
▽ = 0					DRAFT WHERE APPLICABLE MUST REMAIN WITHIN DIMENSIONS			
▽ = 0					DRAWING SIZE	THIRD ANGLE PROJECTION		
▽ = 0	A				A2			



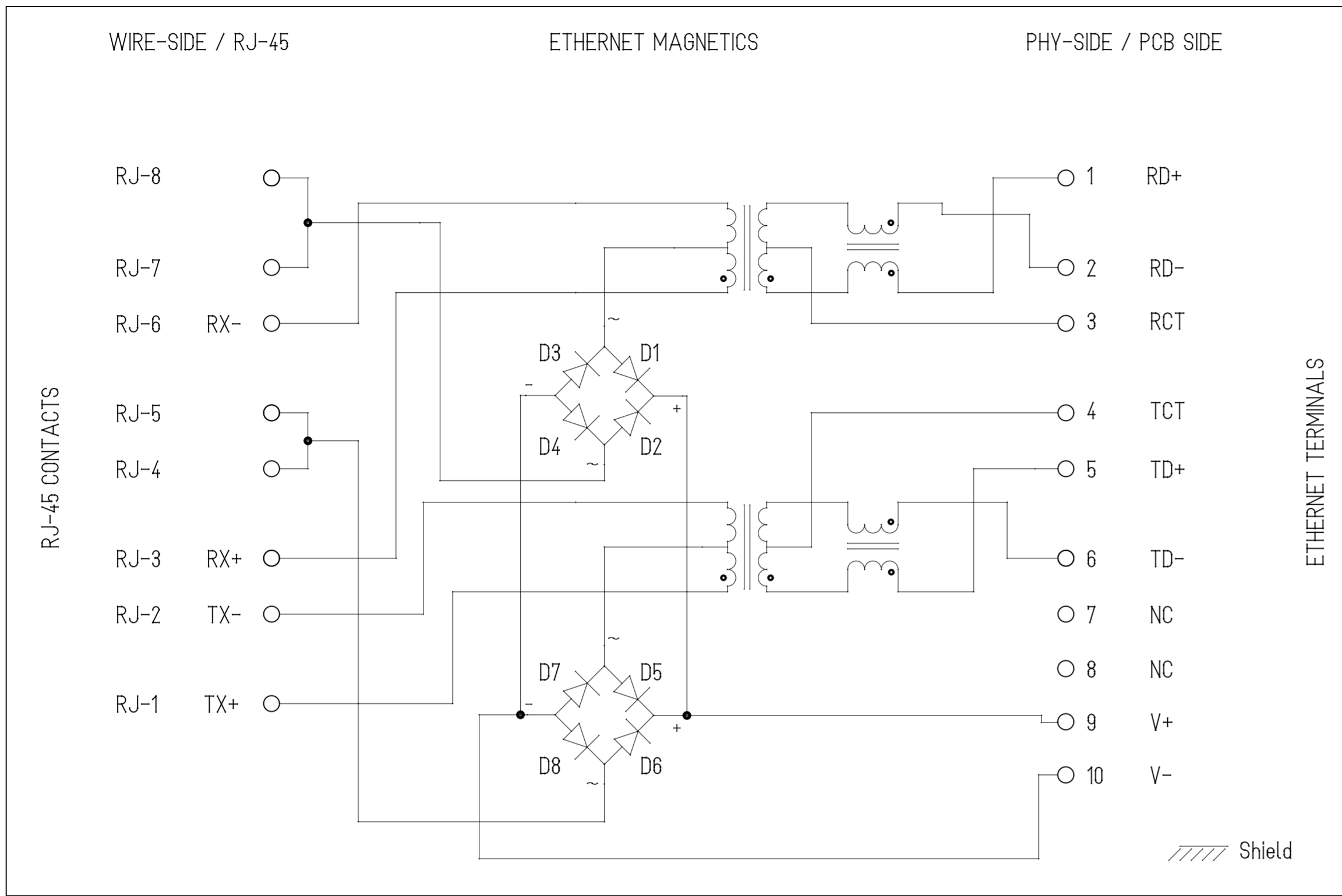
SUGGESTED BOARD LAYOUT
COMPONENT SIDE
ALL DIMS REFERENCE DIMS



DETAIL A
SCALE 10:1
PIN CONFIGURATION FOR
FAST ETHERNET VERSION

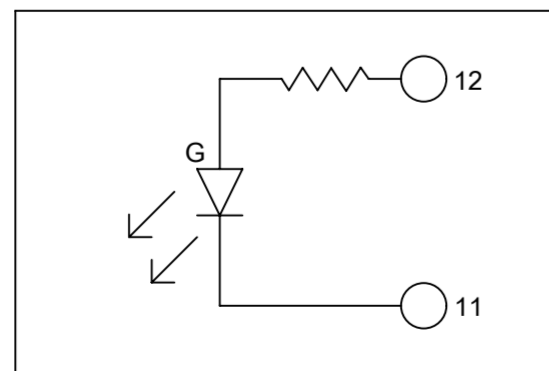
PART NUMBER	LEFT LED		RIGHT LED	
	93809-8046	COLOR GREEN	WITH 250 Ohm Resistor	COLOR YELLOW

QUALITY SYMBOLS	THIS DRAWING CONTAINS INFORMATION THAT IS PROPRIETARY TO MOLEX ELECTRONIC TECHNOLOGIES, LLC AND SHOULD NOT BE USED WITHOUT WRITTEN PERMISSION														
▽ = 0	ORIGINAL RELEASE EC NO: 114183 DRWN: DBYRNES CHKD: DSHEA REV: APPR: STGRIFFIN	2017/03/14 2017/03/14 2017/03/24	GENERAL TOLERANCES (UNLESS SPECIFIED)		DIMENSION UNITS	SCALE									
▽ = 0			ANGULAR TOL ± 2.0 °		MM	5:1									
▽ = 0			4 PLACES ±	3 PLACES ±	DRWN BY	DATE									
▼ = 0			3 PLACES ±		2 PLACES ± 0.1	1 PLACE ± 0.2	0 PLACES ±	DBYRNES	2017/03/14	MXMAG POE 10/100 INV PRO IND TEMP					
▽ = 0			2 PLACES ±		DRAFT WHERE APPLICABLE MUST REMAIN WITHIN DIMENSIONS		CHK'D BY	DATE							
☒ = 0			1 PLACE ±		DRAFT WHERE APPLICABLE MUST REMAIN WITHIN DIMENSIONS		APPR BY	DATE	PRODUCT CUSTOMER DRAWING						
■ = 0	0 PLACES ±		DRAFT WHERE APPLICABLE MUST REMAIN WITHIN DIMENSIONS		STGRIFFIN	2017/03/24	SERIES	MATERIAL NUMBER	CUSTOMER						
▽ = 0	A	REV	A2		DRAWING SIZE		THIRD ANGLE PROJECTION	93809	SEE CHART						
								DOCUMENT NUMBER	938098046	DOC TYPE	PSD	DOC PART	001	SHEET NUMBER	2 OF 3

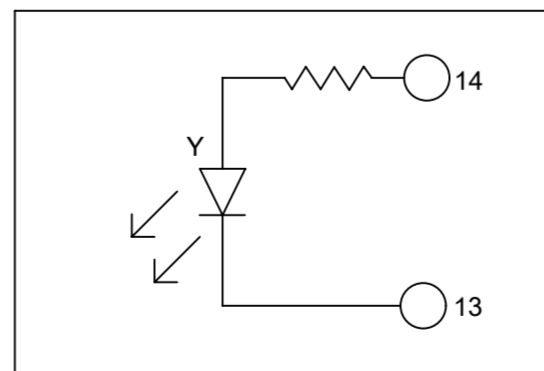


Description	Value	
OCL @100kHz,0.1V 8mA DC bias (-40°C to +85°C)	350µH min.	
Turns ratio	1CT:1CT	
PoE Current	350mA DC max.	
Transmission characteristics @ 25°C, all four pairs		
Insertion Loss		
Frequency (MHz)	Limits (dB max.)	Typical Values (dB max.)
1.0-9.9 MHz	0.4+0.1*log(F)	0.5 @ 10MHz
10-49.9 MHz	0.5+0.3*log(F/10)	0.7 @ 50MHz
50-79.9 MHz	1+1.4*log(F/80)	1.0 @ 80MHz
80-100 MHz	1.3+3*log(F/100)	1.3 @ 100MHz
Return Loss		
Frequency (MHz)	Limits (dB min.)	Typical Values (dB min.)
1.0-39.9 MHz	18	18 @ 40MHz
40-100 MHz	12-20*log(F/80)	10 @ 100MHz
CMR		
Frequency (MHz)	Limits (dB min.)	Typical Values (dB min.)
1.0-100MHz	30	30 @ 100MHz
Next		
Frequency (MHz)	Limits (dB min.)	Typical Values (dB min.)
1.0-39.9MHz	35	35 @ 40MHz
40-100MHz	33-20*log(F/50)	27 @ 100MHz
Isolation PHY to wire side	2.25kVDC/60sec	

LEFT LED



RIGHT LED



QUALITY SYMBOLS	THIS DRAWING CONTAINS INFORMATION THAT IS PROPRIETARY TO MOLEX ELECTRONIC TECHNOLOGIES, LLC AND SHOULD NOT BE USED WITHOUT WRITTEN PERMISSION		GENERAL TOLERANCES (UNLESS SPECIFIED)		DIMENSION UNITS	SCALE	molex®				
▽ = 0	ORIGINAL RELEASE EC NO: 114183 DRWN: DBYRNES CHKD: DSHEA REV APPR: STGRIFFIN	2017/03/14 2017/03/14 2017/03/24	ANGULAR TOL ± 2.0 °		MM	1:1	MXMAG POE 10/100 INV PRO IND TEMP				
▽ = 0			4 PLACES ±	DRWN BY	DATE						
▽ = 0			3 PLACES ±	DBYRNES	2017/03/14						
▼ = 0			2 PLACES ± 0.1	CHK'D BY	DATE	PRODUCT CUSTOMER DRAWING					
▽ = 0			1 PLACE ± 0.2	DSHEA	2017/03/14						
☒ = 0			0 PLACES ±	APPR BY	DATE	DRAWING SIZE		THIRD ANGLE PROJECTION	SERIES	MATERIAL NUMBER	CUSTOMER
■ = 0	DRAFT WHERE APPLICABLE MUST REMAIN WITHIN DIMENSIONS		A2		A2		93809	SEE CHART			
▽ = 0							DOCUMENT NUMBER	DOC TYPE	DOC PART	SHEET NUMBER	
								938098046	PSD	001	3 OF 3