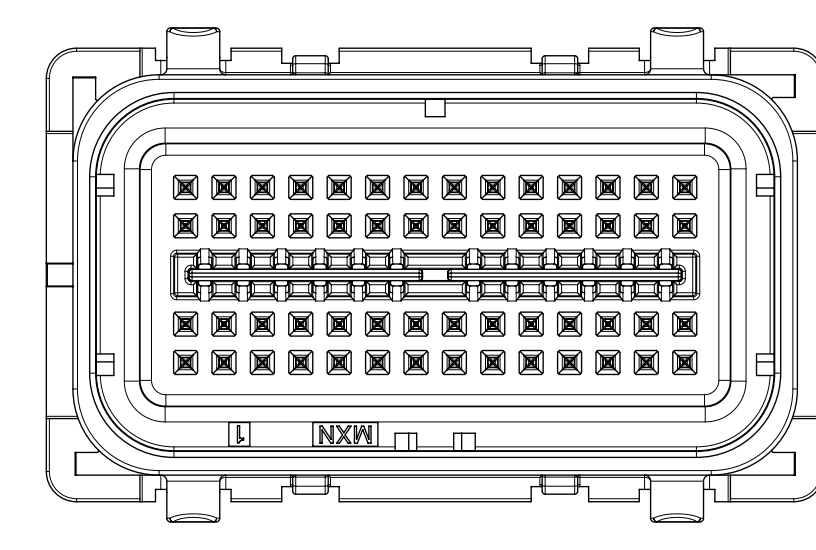
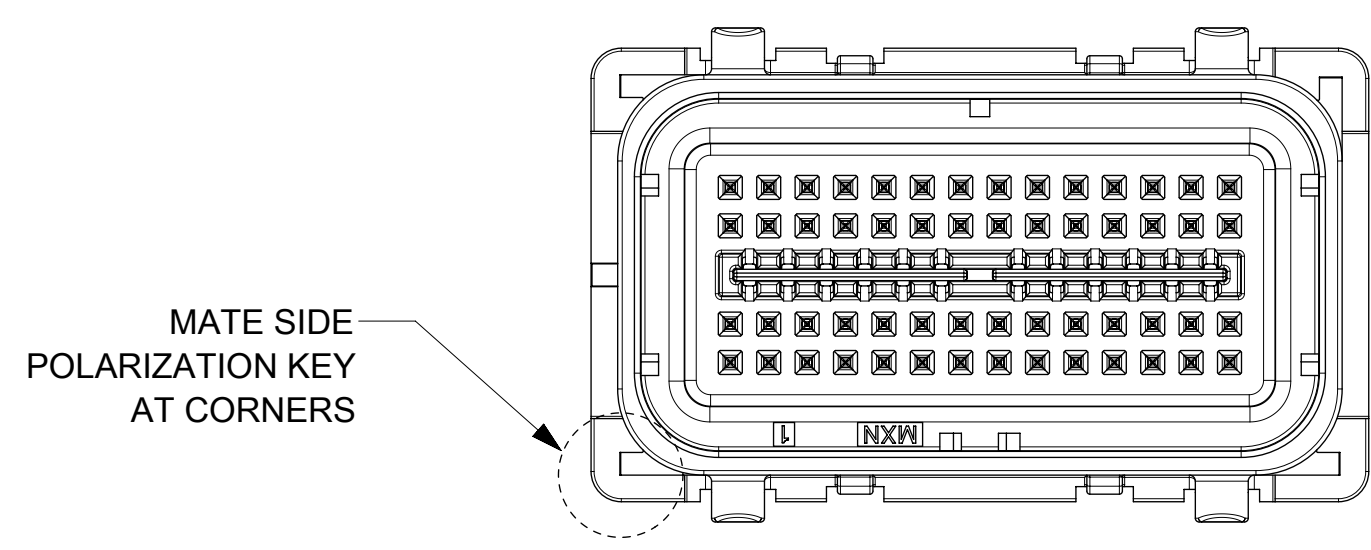
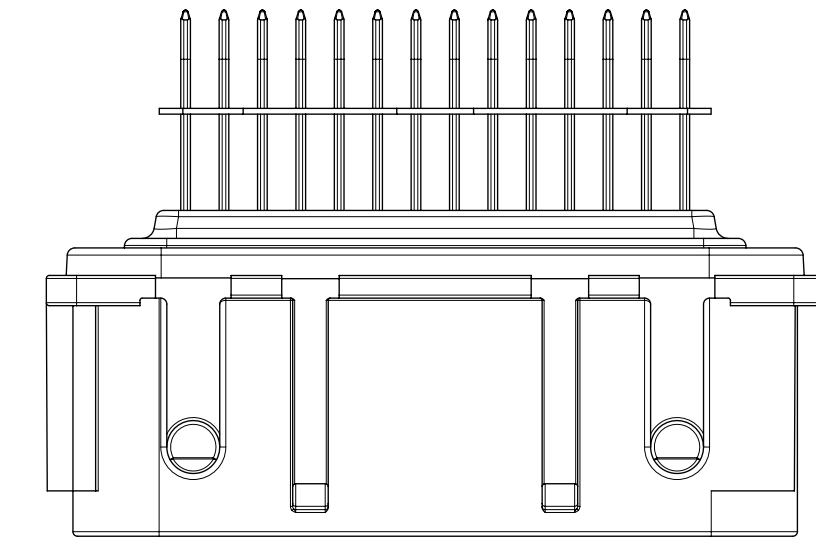
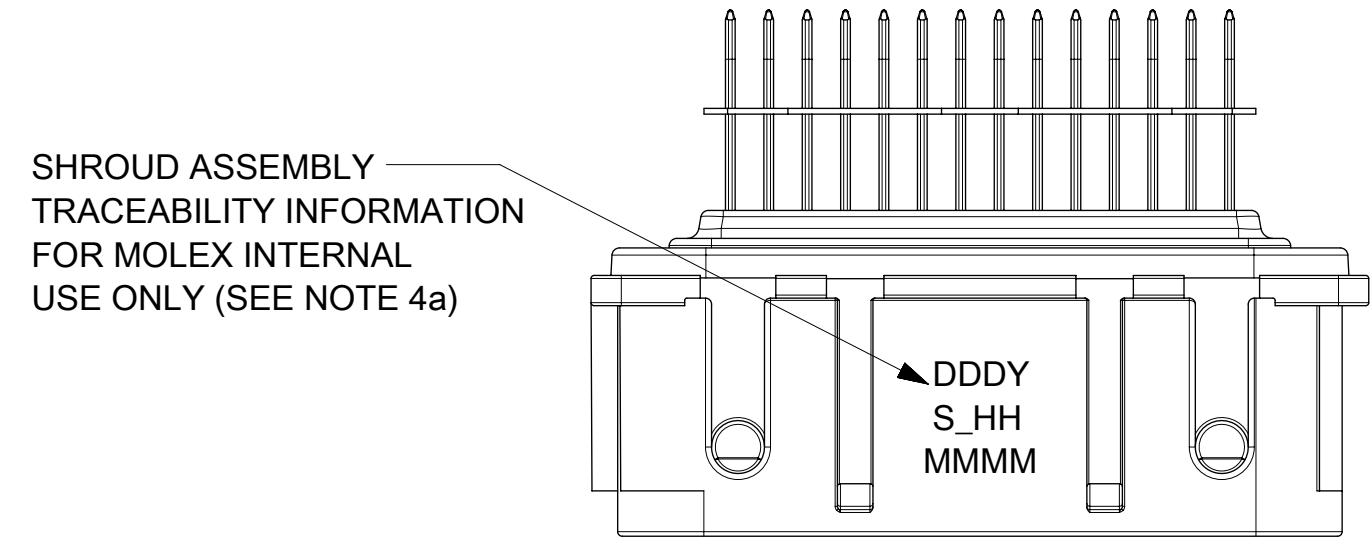


SECTION A-A  
SCALE 5:1

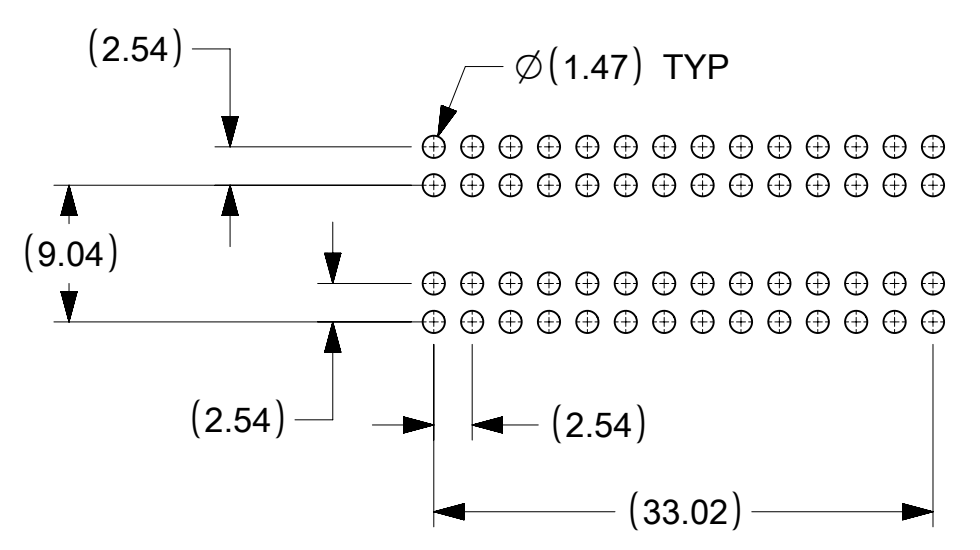
THIS DRAWING CONTAINS INFORMATION THAT IS PROPRIETARY TO MOLEX ELECTRONIC TECHNOLOGIES, LLC AND SHOULD NOT BE USED WITHOUT WRITTEN PERMISSION									
QUALITY SYMBOLS	GENERAL TOLERANCES (UNLESS SPECIFIED)				DIMENSION UNITS	SCALE			
▽ = 4	ANGULAR TOL ± 3.0 °				MM	2:1			
▽ = 3	4 PLACES ±				DRWN BY	DATE	56 CKT SHROUD ASSEMBLY 0.64 SQ. PINS MX123		
▽ = 0	3 PLACES ±				FJAKLIC	04/30/08			
▽ = 0	2 PLACES ± 0.13				CHKD BY	DATE	PRODUCT CUSTOMER DRAWING		
▽ = 0	1 PLACE ± 0.25				FJAKLIC	04/30/08			
▽ = 0	0 PLACES ±				APPR BY	DATE	SERIES MATERIAL NUMBER CUSTOMER		
▽ = 0	DRAFT WHERE APPLICABLE MUST REMAIN WITHIN DIMENSIONS				GPRATT	05/05/08			
▽ = 0					DRAWING SIZE	THIRD ANGLE PROJECTION	DOCUMENT NUMBER DOC TYPE DOC PART SHEET NUMBER		
▽ = 0					D	⊕			
EC NO: 606583 DRWN: BSKANTHARAJU CHKD: DKRAWCZYK REV APPR: DKRAWCZYK									
B13		31386		SEE CHART		GENERAL MARKET			
RELEASE STATUS		RELEASE DATE		SD-31386-056		PSD		000 2 OF 3	

SHROUD ASSEMBLY NUMBER	MATE SIDE PIN FINISH	HOUSING COLOR	HARNESS SIDE KEY CODE	PCB SIDE KEY LOCATION		MATING HARNESS PART NUMBER (OPT 0, OPT 9)	STATUS
				DIM. "A" ±0.30	DIM "B" ±0.30		
31386-2001	GOLD	BLUE	G	6.35	26.67	345760703 345761903	SALEABLE
31386-2002	GOLD	GRAY	H	1.27	21.59	345760803 345762003	SALEABLE
31386-2020	SILVER	BLUE	G	6.35	26.67	345760703 345761903	SALEABLE
31386-2021	SILVER	GRAY	H	1.27	21.59	345760803 345762003	SALEABLE



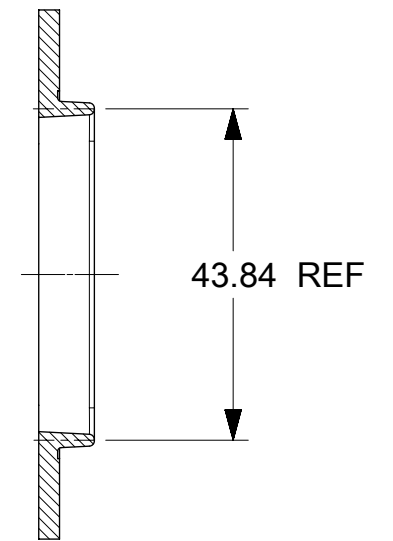
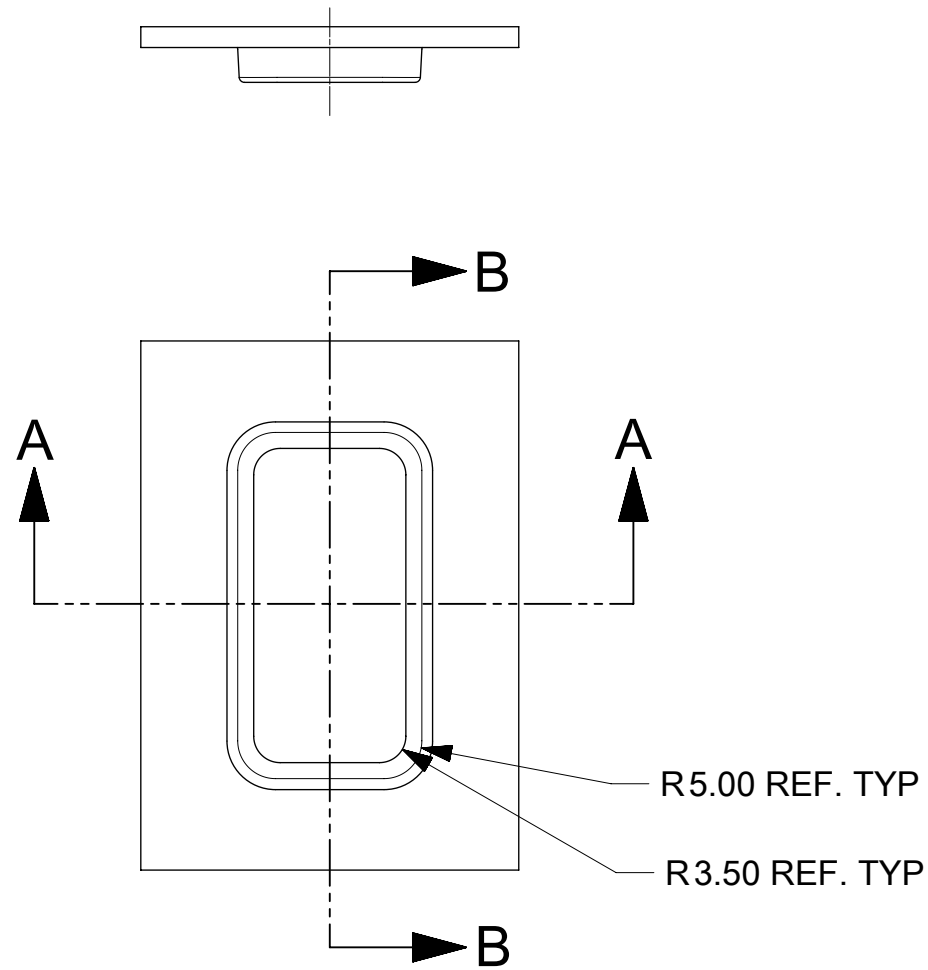
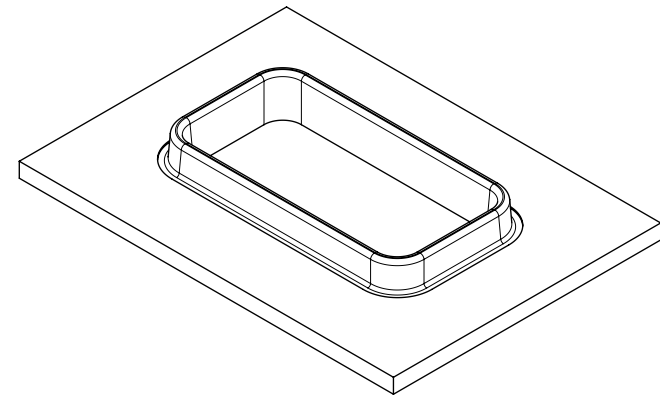
KEY OPTION "G"

KEY OPTION "H"

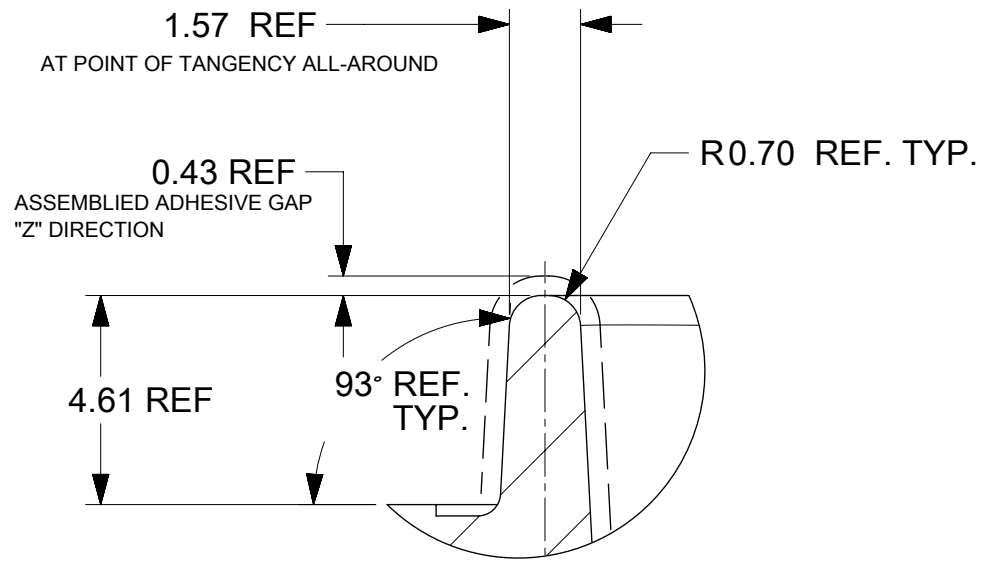


PCB LAYOUT FOR REFERENCE ONLY

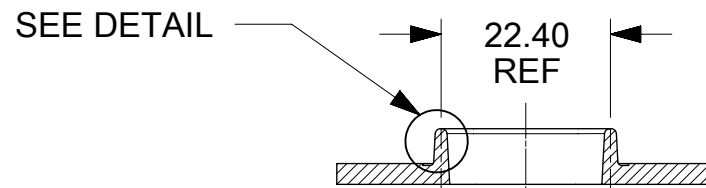
<b>QUALITY SYMBOLS</b> 	THIS DRAWING CONTAINS INFORMATION THAT IS PROPRIETARY TO MOLEX ELECTRONIC TECHNOLOGIES, LLC AND SHOULD NOT BE USED WITHOUT WRITTEN PERMISSION										
	EC NO: 606583	2018/10/12	GENERAL TOLERANCES (UNLESS SPECIFIED)		DIMENSION UNITS	SCALE					
	DRWN: BSKANTHARAJU	2018/12/10	ANGULAR TOL ± 3.0 °		MM	2:1					
	CHKD: DKRAVCZYK	2018/12/10	4 PLACES ±	FJAKLIC	DATE	04/30/08	<b>56 CKT SHROUD ASSEMBLY</b> <b>0.64 SQ. PINS MX123</b>				
	REVISIONS	REV: APPR: DKRAVCZYK	3 PLACES ±	FJAKLIC	DATE	04/30/08					
			2 PLACES ± 0.13	GPRATT	DATE	05/05/08	<b>PRODUCT CUSTOMER DRAWING</b>				
			1 PLACE ± 0.25								
			0 PLACES ±	DRAFT WHERE APPLICABLE MUST REMAIN WITHIN DIMENSIONS		DRAWING SIZE	THIRD ANGLE PROJECTION	SERIES	MATERIAL NUMBER	CUSTOMER	
						D		31386	SEE CHART	GENERAL MARKET	
								DOCUMENT NUMBER	DOC TYPE	DOC PART	SHEET NUMBER
							SD-31386-056	PSD	000	3 OF 3	



SECTION B-B



SCALE 6:1



SECTION A-A

SEE DETAIL

THIS DRAWING CONTAINS INFORMATION THAT IS PROPRIETARY TO MOLEX ELECTRONIC TECHNOLOGIES, LLC AND SHOULD NOT BE USED WITHOUT WRITTEN PERMISSION

EC NO: 121890 DRWN: BSKANTHARAJU CHKD: APPR: DKRAWCZYK	2017/03/28	GENERAL TOLERANCES (UNLESS SPECIFIED)  ANGULAR TOL ± ° 4 PLACES ± 3 PLACES ± 2 PLACES ± 1 PLACE ± 0 PLACES ±  DRAFT WHERE APPLICABLE MUST REMAIN WITHIN DIMENSIONS	DIMENSION UNITS	SCALE					
	2017/10/12		MM	1:1					
				DRWN BY	DATE	SMALL FOOTPRINT ADHESIVE TONGUE GEOMETRY			
				FJAKLIC	11/21/2008				
				CHK'D BY	DATE	PRODUCT CUSTOMER DRAWING			
		GPRATT	11/21/2008						
		APPR BY	DATE	SERIES MATERIAL NUMBER CUSTOMER 31386 SD-31386-156 PSD 000 GENERAL MARKET					
		DKRAWCZYK	2013/02/19						
		DRAWING SIZE	THIRD ANGLE PROJECTION	DOCUMENT NUMBER DOC TYPE DOC PART SHEET NUMBER SD-31386-156 PSD 000 1 OF 1					
		B							

RELEASE STATUS	RELEASE DATE
----------------	--------------