

ULTRALOW-POWER SC70/SOT-323 PACKAGED 10 mA LDO LINEAR REGULATORS WITH POWER GOOD OUTPUT

FEATURES

- Qualified for Automotive Applications
- 10-mA Low-Dropout Regulator
- Ultralow 1.2- μ A Quiescent Current at 10 mA
- 5-Pin SC70/SOT-323 (DCK) Package
- Integrated Power Good Output
- Stable With Any Capacitor ($>0.47 \mu$ F)
- Dropout Voltage Typically 105 mV at 10 mA (TPS79733)
- Over Current Limitation
- -40°C to 125°C Operating Junction Temperature Range

The device is enabled when the applied voltage exceeds the minimum input voltage. The usual PNP pass transistor has been replaced by a PMOS pass element. Because the PMOS pass element behaves as a low-value resistor, the dropout voltage is low, typically 105 mV at 10 mA of load current and is directly proportional to the load current. The quiescent current is ultralow (1.2 μ A typically) and is stable over the entire range of output load current (0 mA to 10 mA). When properly configured with a pullup resistor, the PG output can be used to implement a power-on reset or low battery indicator. The TPS797xx is offered in 1.8-V, 3-V, and 3.3-V fixed options.

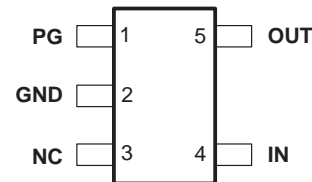
APPLICATIONS

- Battery Powered Microcontrollers and Microprocessors

DESCRIPTION

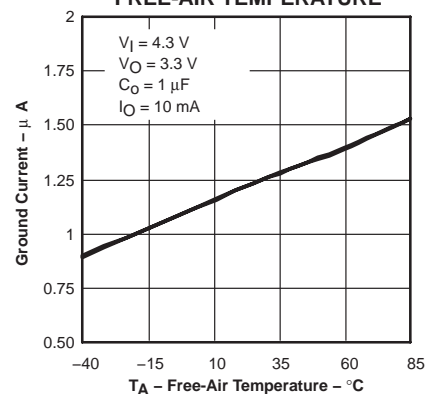
The TPS797xx family of low-dropout (LDO) voltage regulators offers the benefits of low-dropout voltage and ultralow-power operation. The device is stable with any capacitor ($>0.47 \mu$ F). Therefore, implementations of this device require little board space due to the miniaturized packaging and potentially small output capacitor. In addition, the family includes an integrated open drain active-high power good (PG) output. Intended for use in microcontroller based, battery-powered applications, the TPS797xx family's low dropout and ultralow-powered operation results in a significant increase in system battery operating life. The small packaging minimizes consumption of board space.

DCK PACKAGE
(TOP VIEW)



TPS79733
GROUND CURRENT

vs
FREE-AIR TEMPERATURE



Please be aware that an important notice concerning availability, standard warranty, and use in critical applications of Texas Instruments semiconductor products and disclaimers thereto appears at the end of this data sheet.

AVAILABLE OPTIONS†§

| T _J | VOLTAGE | PACKAGE‡ | PART NUMBER | SYMBOL |
|----------------|---------|-----------------------|------------------|--------|
| -40°C to 125°C | 1.8 V | SC70/SOT-323 (DCK) | TPS79718QDCKRQ1¶ | QTD |
| | 3 V | | TPS79730QDCKRQ1¶ | QTE |
| | 3.3 V | | TPS79733QDCKRQ1¶ | QTF |

† For the most current package and ordering information, see the Package Option Addendum at the end of this document, or see the TI web site at <http://www.ti.com>.

‡ Package drawings, thermal data, and symbolization are available at <http://www.ti.com/packaging>.

§ Contact Texas Instruments for the availability of other voltage options between 1.25 V and 4.9 V.

¶ The DCKR indicates tape and reel of 3000 parts.

absolute maximum ratings over operating free-air temperature range (unless otherwise noted)¶

| | |
|--|------------------------------|
| Input voltage range (see Note 1) | -0.3 V to 6 V |
| Maximum dc output voltage | 4.9 V |
| Peak output current | Internally limited |
| ESD rating, HBM | 3 kV |
| ESD rating, CDM | 1 kV |
| Continuous total power dissipation | See Dissipation Rating Table |
| Operating junction temperature range, T _J | -40°C to 125°C |
| Operating ambient temperature range, T _A | -40°C to 125°C |
| Storage temperature range, T _{stg} | -65°C to 150°C |

¶ Stresses beyond those listed under “absolute maximum ratings” may cause permanent damage to the device. These are stress ratings only, and functional operation of the device at these or any other conditions beyond those indicated under “recommended operating conditions” is not implied. Exposure to absolute-maximum-rated conditions for extended periods may affect device reliability.

NOTE 1: All voltage values are with respect to network ground terminal.

DISSIPATION RATING TABLE

| BOARD | PACKAGE | R _{θJC} °C/W | R _{θJA} °C/W | DERATING FACTOR ABOVE T _A = 25°C | T _A ≤ 25°C POWER RATING | T _A = 70°C POWER RATING | T _A = 85°C POWER RATING |
|----------------------|---------|--------------------------|--------------------------|--|---------------------------------------|---------------------------------------|---------------------------------------|
| Low K [#] | DCK | 165.39 | 396.24 | 2.52 mW/°C | 252mW | 139 mW | 101 mW |
| High K | DCK | 165.39 | 314.74 | 3.18 mW/°C | 318 mW | 175 mW | 127 mW |

[#] The JEDEC Low K (1s) board design used to derive this data was a 3 inch x 3 inch, two layer board with 2 ounce copper traces on top of the board.

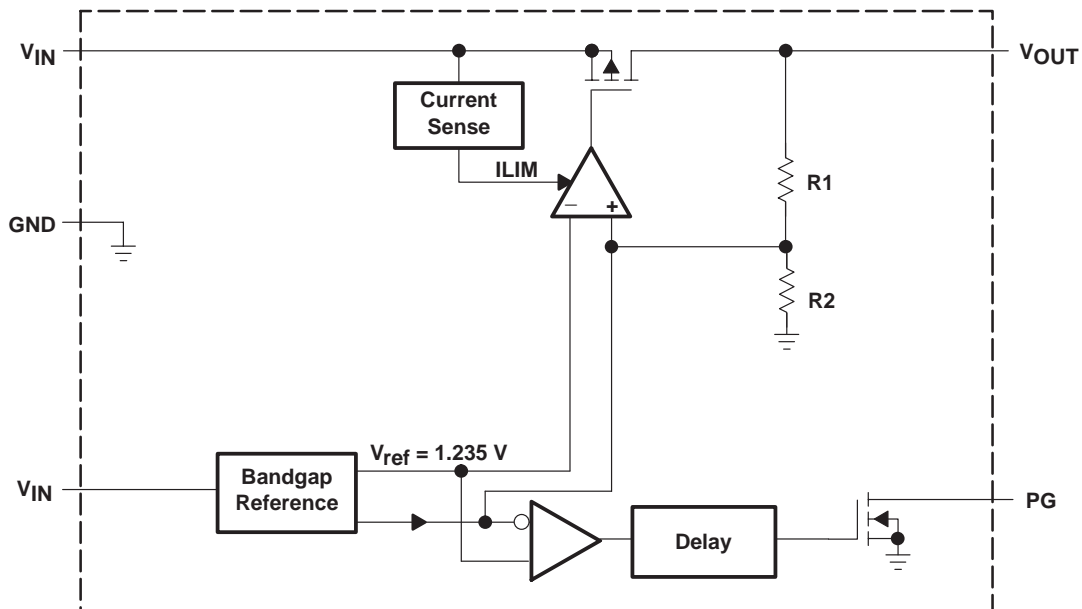
^{||} The JEDEC High K (2s2p) board design used to derive this data was a 3 inch x 3 inch, multilayer board with 1 ounce internal power and ground planes and 2 ounce copper traces on top and bottom of the board.

**electrical characteristics over recommended operating free-air temperature range,
 $V_I = V_{O(typ)} + 1\text{ V}$, $I_O = 1\text{ mA}$, $C_O = 1\text{ }\mu\text{F}$ (unless otherwise noted)**

| PARAMETER | | TEST CONDITIONS | MIN | TYP | MAX | UNIT | |
|--|----------|--|-------|------|------|------------------|---|
| V_I Input voltage (see Note 2) | | $I_O = 3\text{ mA}$ | 1.8 | | 5.5 | V | |
| | | $I_O = 10\text{ mA}$ | 2 | | 5.5 | V | |
| I_O Continuous output current (see Note 3) | | | 0 | | 10 | mA | |
| T_J Operating junction temperature, T_J | | | -40 | | 125 | °C | |
| Output voltage (10 μA to 10 mA Load) (see Note 4) | TPS79718 | $T_A = 25^\circ\text{C}$, $2.8\text{ V} < V_I < 5.5\text{ V}$ | | 1.8 | | V | |
| | | $T_J = -40^\circ\text{C}$ to 125°C , $2.8\text{ V} < V_I < 5.5\text{ V}$ | 1.71 | | 1.89 | | |
| | TPS79730 | $T_A = 25^\circ\text{C}$, $4\text{ V} < V_I < 5.5\text{ V}$ | | | 3 | | V |
| | | $T_J = -40^\circ\text{C}$ to 125°C , $4\text{ V} < V_I < 5.5\text{ V}$ | 2.880 | | | 3.12 | |
| | TPS79733 | $T_A = 25^\circ\text{C}$, $4.3\text{ V} < V_I < 5.5\text{ V}$ | | | | 3.3 | V |
| | | $T_J = -40^\circ\text{C}$ to 125°C , $4.3\text{ V} < V_I < 5.5\text{ V}$ | 3.168 | | | 3.432 | |
| Quiescent current (GND current) (see Note 4) | | $T_A = 25^\circ\text{C}$, $0\text{ }\mu\text{A} < I_O < 10\text{ mA}$ | | 1.2 | | μA | |
| | | $T_J = -40^\circ\text{C}$ to 125°C , $I_O = 10\text{ mA}$ | | | 5 | | |
| Load regulation | | $T_A = 25^\circ\text{C}$, $I_O = 1\text{ }\mu\text{A}$ to 10 mA | | 17 | | mV | |
| Output voltage line regulation ($\Delta V_O/V_O$) (see Note 4) | | $V_O + 1\text{ V} < V_I \leq 5.5\text{ V}$, $T_A = 25^\circ\text{C}$ | | 0.15 | | %V | |
| | | $V_O + 1\text{ V} < V_I \leq 5.5\text{ V}$, $T_J = -40^\circ\text{C}$ to 125°C | | | 0.8 | | |
| Output noise voltage (TPS79718) | | BW = 200 Hz to 100 kHz, $C_O = 10\text{ }\mu\text{F}$, $I_O = 10\text{ mA}$, $T_A = 25^\circ\text{C}$ | | 600 | | μVRMS | |
| Output current limit | | $V_O = 0\text{ V}$, See Note 4 | | 190 | 300 | mA | |
| Power supply ripple rejection (TPS79718) | | $f = 100\text{ Hz}$, $C_O = 10\text{ }\mu\text{F}$, $I_O = 10\text{ mA}$, $T_A = 25^\circ\text{C}$ | | 50 | | dB | |
| Dropout voltage (see Note 5) | TPS79730 | $I_O = 10\text{ mA}$, $T_A = 25^\circ\text{C}$ | | 110 | | mV | |
| | | $I_O = 10\text{ mA}$, $T_J = -40^\circ\text{C}$ to 125°C | | | 400 | | |
| | TPS79733 | $I_O = 10\text{ mA}$, $T_A = 25^\circ\text{C}$ | | 105 | | | |
| | | $I_O = 10\text{ mA}$, $T_J = -40^\circ\text{C}$ to 125°C | | | 400 | | |
| Minimum input voltage for valid PG | | $I_O(\text{PG}) = 100\text{ }\mu\text{A}$, $V(\text{PG}) \geq 0.8\text{ V}$ | | 1.2 | | V | |
| PG trip threshold voltage | | V_O decreasing | 82 | 90 | 96 | % V_O | |
| PG output low voltage | | $V_I = 1.4\text{ V}$, $I_O(\text{PG}) = 100\text{ }\mu\text{A}$ | | 0.14 | 0.4 | V | |
| PG leakage current | | $V(\text{PG}) = 5\text{ V}$ | 0.1 | | | nA | |

- NOTES: 2. To calculate the minimum input voltage for your maximum output current, use the following formula:
 $V_I(\text{min}) = V_O(\text{max}) + V_{DO}(\text{max load})$
3. Continuous output current is limited by internal protection circuitry, but it is not recommended that the device operate under conditions beyond those specified in this table for extended periods of time.
4. The minimum IN operating voltage is 1.8 V or $V_O(\text{typ}) + 1\text{ V}$, whichever is greater. The maximum IN voltage is 5.5 V. There is no minimum output current requirement and the maximum output current is 10 mA.
5. IN voltage equals $V_O(\text{typ}) - 100\text{ mV}$; The TPS79730 input voltage is set to 2.9 V and the TPS79733 input voltage is set to 3.2 V. The TPS79718 dropout voltage is limited by input voltage range limitations.

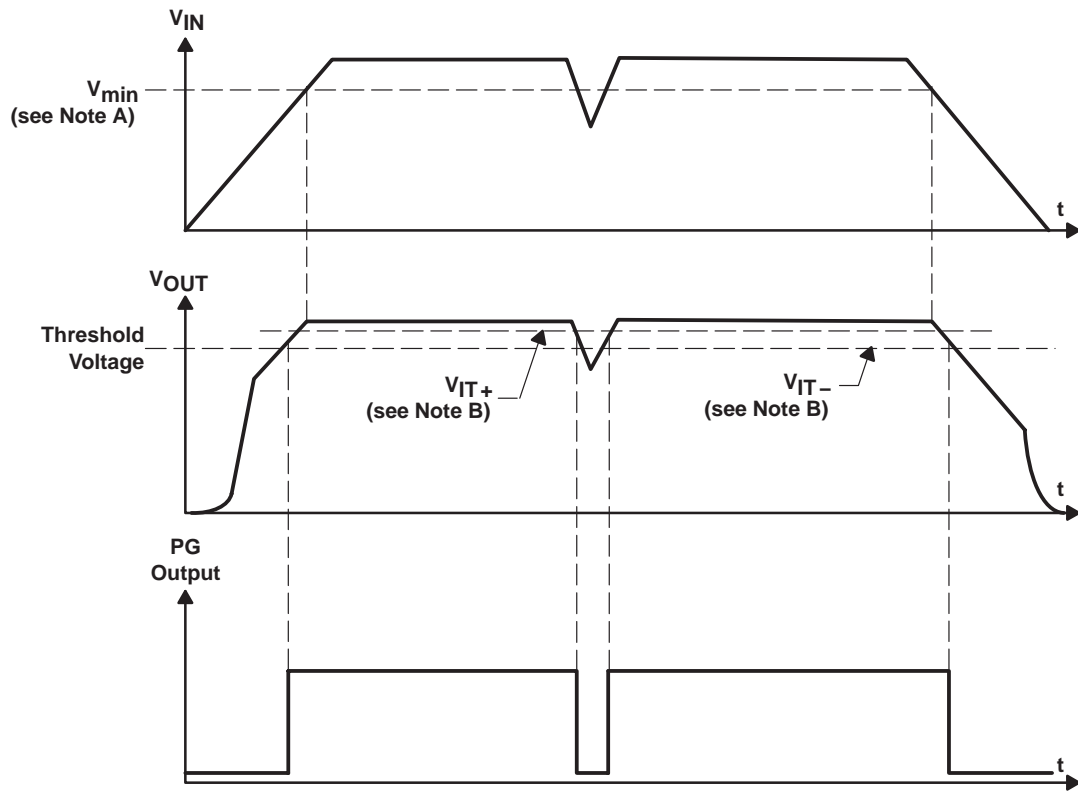
functional block diagram



Terminal Functions

| TERMINAL NAME | NO. | I/O | DESCRIPTION |
|---------------|-----|-----|--|
| GND | 2 | | Ground |
| NC | 3 | | No connection |
| OUT | 5 | O | The OUT terminal provides the regulated output voltage of the device. |
| PG | 1 | O | The PG terminal for the fixed voltage option devices is an open drain, active-high output that indicates the status of V_O (output of the LDO). When V_O exceeds approximately 90% of the regulated voltage, PG goes to a high impedance state. It goes to a low-impedance state when V_O falls below approximately 90% (i.e. overload condition) of the regulated voltage. The open drain output of the PG terminal requires a pullup resistor. |
| IN | 4 | I | The IN terminal is the power supply input to the device. |

TPS797xx PG timing diagram



- NOTES: A. $V_{min} = V_{OUT} + V_{DO}$
 B. The PG trip voltage is typically 10% lower than the output voltage ($90\%V_O$). V_{IT-} to V_{IT+} is the hysteresis voltage.

TYPICAL CHARACTERISTICS

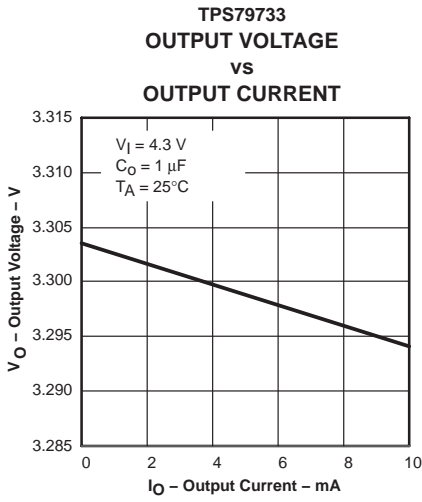


Figure 1

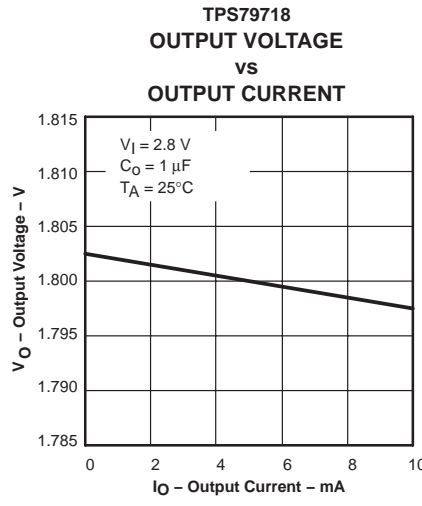


Figure 2

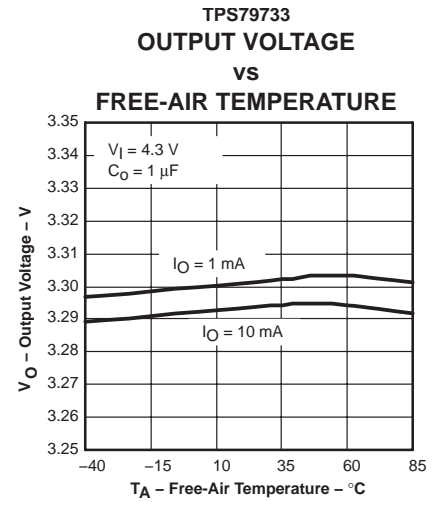


Figure 3

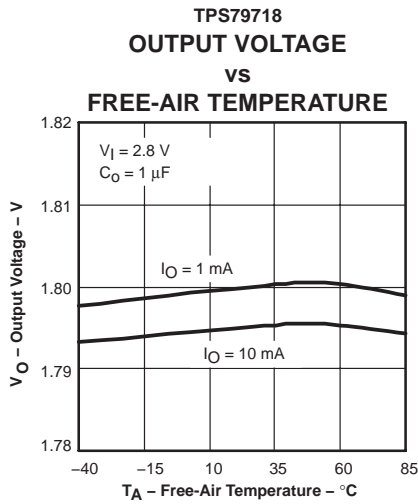


Figure 4

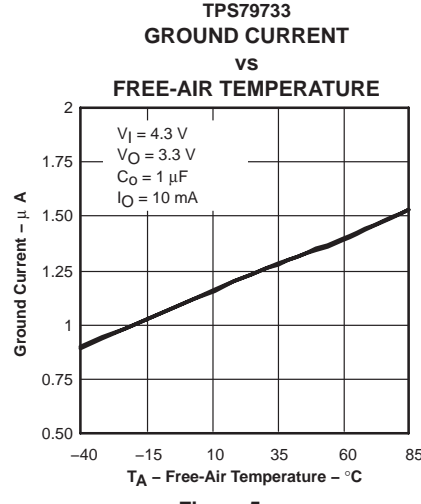


Figure 5

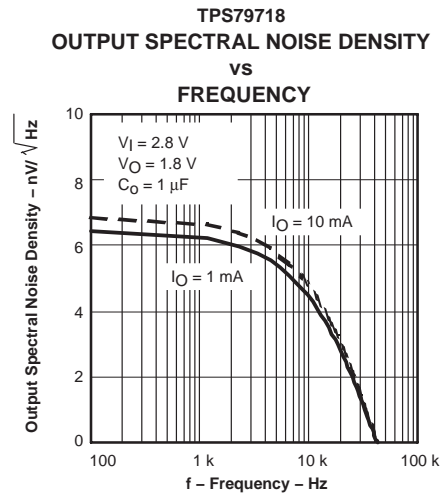


Figure 6

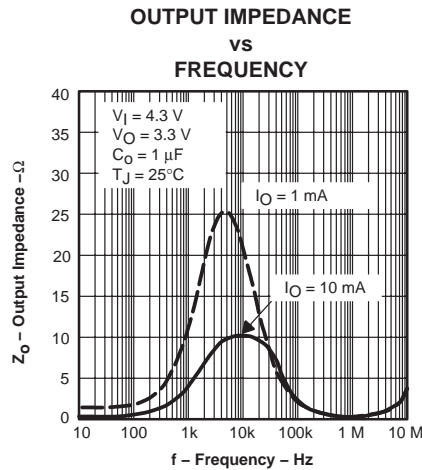


Figure 7

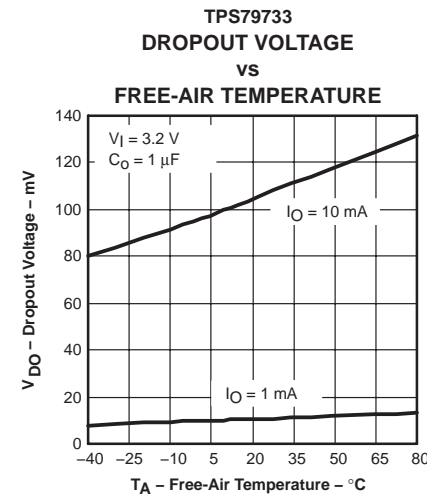


Figure 8

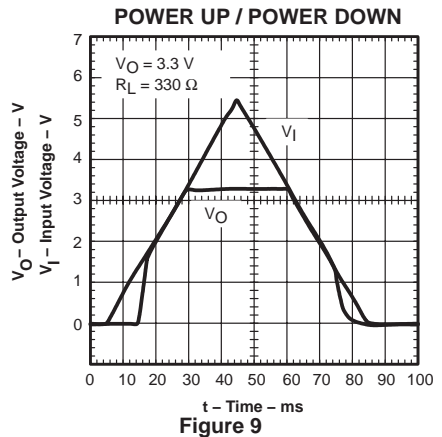


Figure 9

TYPICAL CHARACTERISTICS

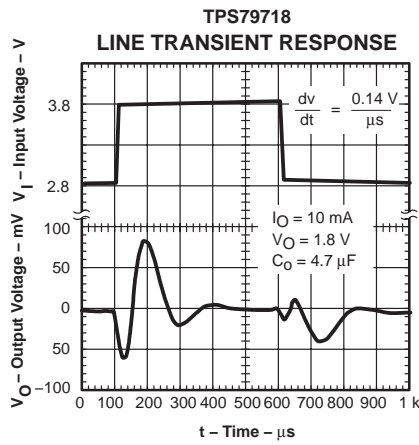


Figure 10

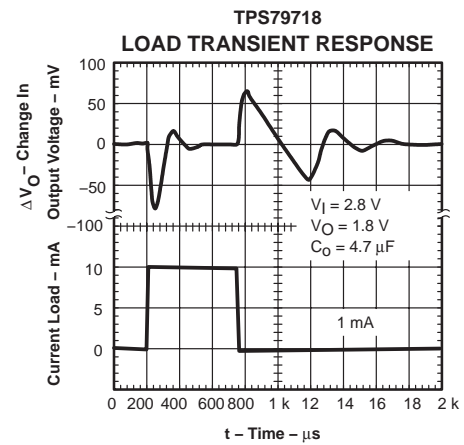


Figure 11

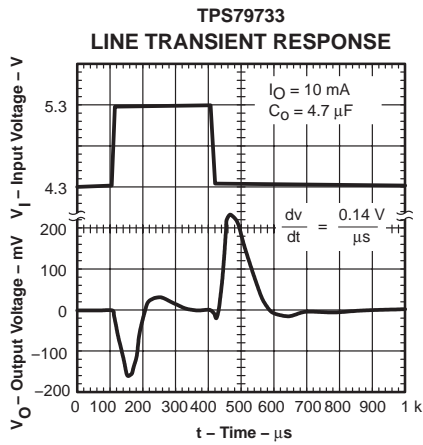


Figure 12

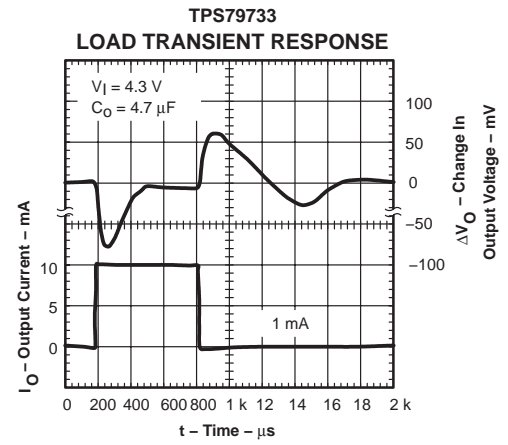


Figure 13

APPLICATION INFORMATION

The TPS797xx family of low-dropout (LDO) regulators have been optimized for use in micropower applications. They feature extremely low dropout voltages and ultralow quiescent current (1.2 μA typically).

A typical application circuit is shown in Figure 14.

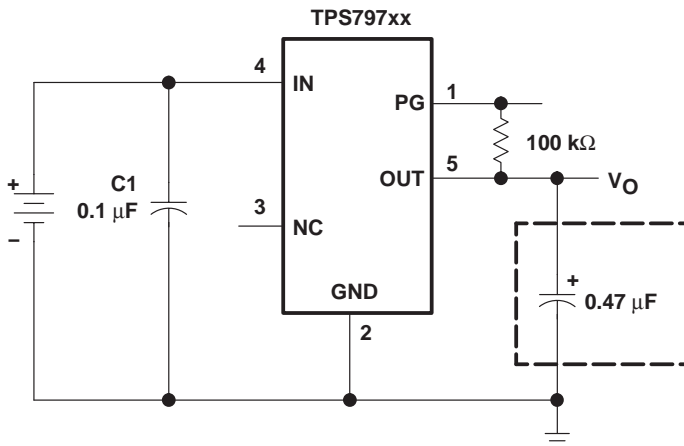


Figure 14. Typical Application Circuit

external capacitor requirements

Although not required, a 0.1- μF or larger input bypass capacitor, connected between IN and GND and located close to the TPS797xx, is recommended, especially when a highly resistive power supply is powering the LDO in addition to other devices.

Like all low-dropout regulators, the TPS797xx requires an output capacitor connected between OUT and GND to stabilize the internal control loop. The minimum recommended capacitance is 0.47 μF . Any 0.47- μF capacitor is suitable. Capacitor values larger than 0.47 μF are acceptable.

APPLICATION INFORMATION

power dissipation and junction temperature

Specified regulator operation is assured to a junction temperature of 125°C; restrict the maximum junction temperature to 125°C under normal operating conditions. This restriction limits the power dissipation the regulator can handle in any given application. To ensure the junction temperature is within acceptable limits, calculate the maximum allowable dissipation, $P_{D(max)}$, and the actual dissipation, P_D , which must be less than or equal to $P_{D(max)}$.

The maximum-power-dissipation limit is determined using the following equation:

$$P_{D(max)} = \frac{T_{Jmax} - T_A}{R_{\theta JA}}$$

Where:

T_{Jmax} is the maximum allowable junction temperature.

$R_{\theta JA}$ is the thermal resistance junction-to-ambient for the package (see Power Dissipation Rating Table).

T_A is the ambient temperature.

The regulator dissipation is calculated using:

$$P_D = (V_I - V_O) \times I_O$$

Power dissipation resulting from quiescent current is negligible. Excessive power dissipation triggers the thermal protection circuit.

regulator protection

The TPS797xx PMOS-pass transistor has a built-in back diode that conducts reverse current when the input voltage drops below the output voltage (e.g., during power down). Current is conducted from the output to the input and is not internally limited. If extended reverse voltage operation is anticipated, external limiting might be appropriate.

The TPS797xx features internal current limiting. During normal operation, the TPS797xx limits output current to approximately 190 mA. When current limiting engages, the output voltage scales back linearly until the overcurrent condition ends. Take care not to exceed the power dissipation ratings of the package.

microcontroller application

One application for which this device is particularly suited is providing a regulated input voltage and power good (PG) supervisory signal to low-power devices such as mixed-signal microcontrollers. The quiescent or ground current of the TPS797xx family is typically 1.2 μ A even at full load; therefore, the reduction in battery life by including the TPS797xx in the system is negligible. The primary benefits of using the TPS797xx to power low power digital devices include:

- Regulated output voltage that protects the device from battery droop and noise on the line (e.g., switch bounce)
- Smooth, monotonic power up
- PG signal for controlled device RESET
- Potential to use an existing 5-V power rail to power a 3.3-V or lower device
- Potential to provide separate digital and analog power and ground supplies for a system with only one power source

APPLICATION INFORMATION

microcontroller application (continued)

Figure 15 shows an application in which the TPS79718 is used to power Texas Instruments MSP430 mixed signal microcontroller.

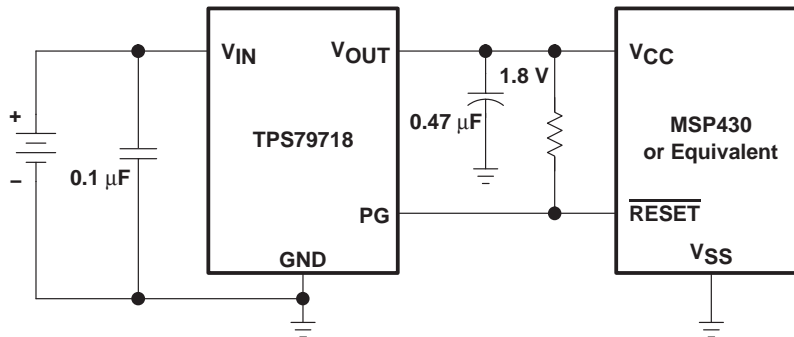


Figure 15. MSP430 Microcontroller Powered by the TPS79718 Regulator

Minimal board space is needed to accommodate the DCK (SC70/SOT-323) packaged TPS79718, the 0.1-µF output capacitor, the 0.47-µF input capacitor, and the pullup resistor on the PG pin.

PACKAGING INFORMATION

| Orderable Device | Status (1) | Package Type | Package Drawing | Pins | Package Qty | Eco Plan (2) | Lead finish/ Ball material (6) | MSL Peak Temp (3) | Op Temp (°C) | Device Marking (4/5) | Samples |
|------------------|---------------|--------------|-----------------|------|-------------|-----------------|--------------------------------------|----------------------|--------------|-------------------------|-------------------------|
| TPS79718QDCKRQ1 | ACTIVE | SC70 | DCK | 5 | 3000 | RoHS & Green | NIPDAUAG | Level-1-260C-UNLIM | -40 to 125 | QTD | Samples |
| TPS79730QDCKRQ1 | ACTIVE | SC70 | DCK | 5 | 3000 | RoHS & Green | NIPDAUAG | Level-1-260C-UNLIM | -40 to 125 | QTE | Samples |
| TPS79733QDCKRQ1 | ACTIVE | SC70 | DCK | 5 | 3000 | RoHS & Green | NIPDAUAG | Level-1-260C-UNLIM | -40 to 125 | QTF | Samples |

(1) The marketing status values are defined as follows:

ACTIVE: Product device recommended for new designs.

LIFEBUY: TI has announced that the device will be discontinued, and a lifetime-buy period is in effect.

NRND: Not recommended for new designs. Device is in production to support existing customers, but TI does not recommend using this part in a new design.

PREVIEW: Device has been announced but is not in production. Samples may or may not be available.

OBSOLETE: TI has discontinued the production of the device.

(2) **RoHS:** TI defines "RoHS" to mean semiconductor products that are compliant with the current EU RoHS requirements for all 10 RoHS substances, including the requirement that RoHS substance do not exceed 0.1% by weight in homogeneous materials. Where designed to be soldered at high temperatures, "RoHS" products are suitable for use in specified lead-free processes. TI may reference these types of products as "Pb-Free".

RoHS Exempt: TI defines "RoHS Exempt" to mean products that contain lead but are compliant with EU RoHS pursuant to a specific EU RoHS exemption.

Green: TI defines "Green" to mean the content of Chlorine (Cl) and Bromine (Br) based flame retardants meet JS709B low halogen requirements of <=1000ppm threshold. Antimony trioxide based flame retardants must also meet the <=1000ppm threshold requirement.

(3) MSL, Peak Temp. - The Moisture Sensitivity Level rating according to the JEDEC industry standard classifications, and peak solder temperature.

(4) There may be additional marking, which relates to the logo, the lot trace code information, or the environmental category on the device.

(5) Multiple Device Markings will be inside parentheses. Only one Device Marking contained in parentheses and separated by a "~" will appear on a device. If a line is indented then it is a continuation of the previous line and the two combined represent the entire Device Marking for that device.

(6) Lead finish/Ball material - Orderable Devices may have multiple material finish options. Finish options are separated by a vertical ruled line. Lead finish/Ball material values may wrap to two lines if the finish value exceeds the maximum column width.

Important Information and Disclaimer:The information provided on this page represents TI's knowledge and belief as of the date that it is provided. TI bases its knowledge and belief on information provided by third parties, and makes no representation or warranty as to the accuracy of such information. Efforts are underway to better integrate information from third parties. TI has taken and continues to take reasonable steps to provide representative and accurate information but may not have conducted destructive testing or chemical analysis on incoming materials and chemicals. TI and TI suppliers consider certain information to be proprietary, and thus CAS numbers and other limited information may not be available for release.

In no event shall TI's liability arising out of such information exceed the total purchase price of the TI part(s) at issue in this document sold by TI to Customer on an annual basis.

OTHER QUALIFIED VERSIONS OF TPS797-Q1 :

- Catalog: [TPS797](#)

NOTE: Qualified Version Definitions:

- Catalog - TI's standard catalog product

DCK (R-PDSO-G5)

PLASTIC SMALL-OUTLINE PACKAGE



- NOTES:
- A. All linear dimensions are in millimeters.
 - B. This drawing is subject to change without notice.
 - C. Body dimensions do not include mold flash or protrusion. Mold flash and protrusion shall not exceed 0.15 per side.
 - D. Falls within JEDEC MO-203 variation AA.

DCK (R-PDSO-G5)

PLASTIC SMALL OUTLINE



- NOTES:
- All linear dimensions are in millimeters.
 - This drawing is subject to change without notice.
 - Customers should place a note on the circuit board fabrication drawing not to alter the center solder mask defined pad.
 - Publication IPC-7351 is recommended for alternate designs.
 - Laser cutting apertures with trapezoidal walls and also rounding corners will offer better paste release. Customers should contact their board assembly site for stencil design recommendations. Example stencil design based on a 50% volumetric metal load solder paste. Refer to IPC-7525 for other stencil recommendations.

IMPORTANT NOTICE AND DISCLAIMER

TI PROVIDES TECHNICAL AND RELIABILITY DATA (INCLUDING DATASHEETS), DESIGN RESOURCES (INCLUDING REFERENCE DESIGNS), APPLICATION OR OTHER DESIGN ADVICE, WEB TOOLS, SAFETY INFORMATION, AND OTHER RESOURCES "AS IS" AND WITH ALL FAULTS, AND DISCLAIMS ALL WARRANTIES, EXPRESS AND IMPLIED, INCLUDING WITHOUT LIMITATION ANY IMPLIED WARRANTIES OF MERCHANTABILITY, FITNESS FOR A PARTICULAR PURPOSE OR NON-INFRINGEMENT OF THIRD PARTY INTELLECTUAL PROPERTY RIGHTS.

These resources are intended for skilled developers designing with TI products. You are solely responsible for (1) selecting the appropriate TI products for your application, (2) designing, validating and testing your application, and (3) ensuring your application meets applicable standards, and any other safety, security, or other requirements. These resources are subject to change without notice. TI grants you permission to use these resources only for development of an application that uses the TI products described in the resource. Other reproduction and display of these resources is prohibited. No license is granted to any other TI intellectual property right or to any third party intellectual property right. TI disclaims responsibility for, and you will fully indemnify TI and its representatives against, any claims, damages, costs, losses, and liabilities arising out of your use of these resources.

TI's products are provided subject to TI's Terms of Sale (www.ti.com/legal/termsofsale.html) or other applicable terms available either on ti.com or provided in conjunction with such TI products. TI's provision of these resources does not expand or otherwise alter TI's applicable warranties or warranty disclaimers for TI products.

Mailing Address: Texas Instruments, Post Office Box 655303, Dallas, Texas 75265
Copyright © 2020, Texas Instruments Incorporated