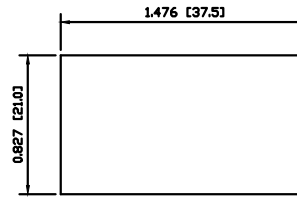
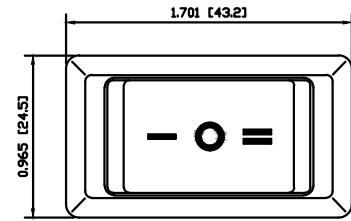


SUGGESTED PANEL CUTOUT



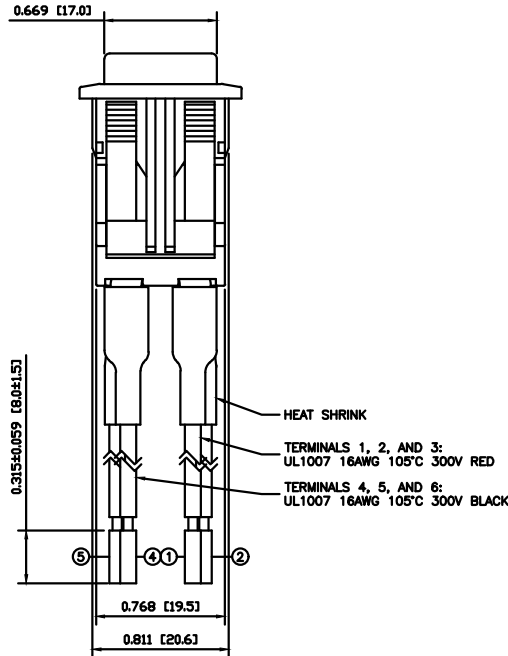
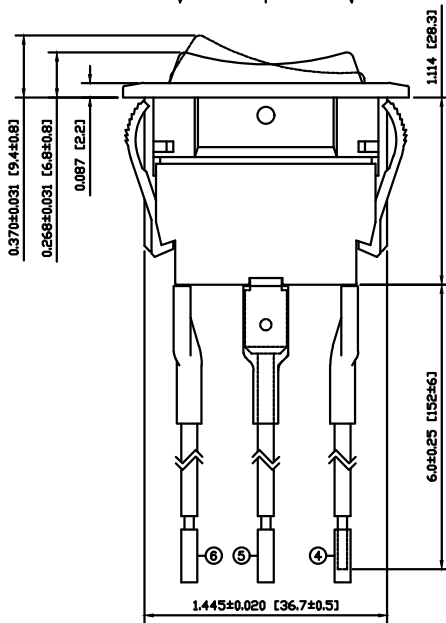
MATERIALS

- BODY:**
Polyamide 6/6 (PA66), UL94 V-2
- ACTUATOR:**
Polyamide 6/6 (PA66), UL94 V-2
- SEALING MEMBRANE:**
Polyvinyl Chloride (PVC)
- SPRING:**
Piano Wire
- MOBILE CONTACT BAR:**
Copper
- CONTACT PADS:**
Silver Clad Copper
- RIVETS:**
Copper
- TERMINALS:**
Brass
UL1015 12AWG Welded
Heat Shrink Tubing

SPECIFICATIONS

- FUNCTION:**
2P2T ON-OFF-ON
- RATINGS:**
ANSI/UL 508 and CAN/CSA C22.2 No.14 (E195908):
20A 125VAC [cURus]
15A 277VAC [cURus]
2HP 110/250VAC [cURus]
- CONTACT RESISTANCE:**
Initial: 50mΩ Max.
- ELECTRICAL LIFE:**
6,000 Cycles [cURus]
- TEMPERATURE:**
Operating: -20°C to 55°C [cURus]
- INGRESS PROTECTION:**
IP54
- APPROVALS:**
 RoHS COMPLIANT

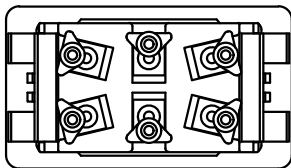
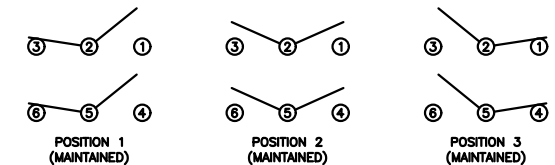
POSITION 3 POSITION 2 POSITION 1



COLORS AND MARKINGS

- BODY COLOR:**
Black
- ACTUATOR COLOR:**
Black
- MARKING:**
I/O/II Vertical (9)
- MARKING COLOR:**
White

SCHEMATIC



ACTUATOR	B	10/05/26	CAB
BODY	B	11/03/07	CAB
COLORS	A	06/12/09	CAB
MATERIALS	A	10/05/26	CAB
SPECIFICATIONS	C	10/03/01	CAB
REFERENCE	REV.	DATE	BY

THE INFORMATION CONTAINED IN THIS DOCUMENT IS PROPRIETARY TO E-SWITCH AND IS NOT TO BE COPIED OR TRANSFERRED

B	CORRECTED STRIP LENGTH FROM 11MM TO 8MM	19741	11/03/07	CAB
A	INITIAL RELEASE	19667	11/02/24	CAB
REV.	DESCRIPTION	PCR	DATE	DRAWN BY

DIMENSIONS	
INCHES [MILLIMETERS]	
GENERAL TOLERANCES	
±0.008 [±0.2] / ±1°	
SCALE	PROJECTION
DRAWING NOT TO SCALE	1st Angle

E-SWITCH®	LAMB INDUSTRIES	TITLE	
		RVWW066D112S	
ITEM NUMBER		DATE	REVISION
34-RVWW066D112S		MARCH 7, 2011	B