

SAW Filter 867.50MHz
Part No: MP06050

Model: TA1735A
Rev No: 1

A. MAXIMUM RATING:

Electrostatic Sensitive Device (ESD)

1. Input Power Level: 10dBm
2. DC voltage: 3V
3. Operating Temperature: -30°C to +80°C
4. Storage Temperature: -40°C to +95°C

B. ELECTRICAL CHARACTERISTICS:

Item	Unit	Min.	Typ.	Max.
Center frequency Fc	MHz	-	867.5	-
Insertion loss (860 ~ 875MHz) IL	dB	-	2.2	3.5
Amplitude ripple (860 ~ 875MHz)	dB	-	0.3	1.5
VSWR (860 ~ 875MHz)	-	-	1.4	2
Attenuation (Reference level from 0dB)				
100 ~ 815MHz	dB	40	50	-
815 ~ 830MHz	dB	38	47	-
898 ~ 901MHz	dB	15	26	-
915 ~ 925MHz	dB	30	44	-
925 ~ 2330MHz	dB	28	41	-
2330 ~ 2000MHz	dB	20	33	-
Source impedance Z _S	Ω	-	50	-
Load impedance Z _L	Ω	-	50	-
Temperature Coefficient of Frequency	Ppm/°C	-	-36	-

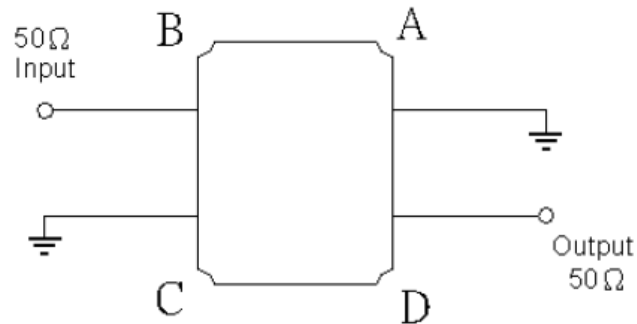
SAW Filter 867.50MHz

Model: TA1735A

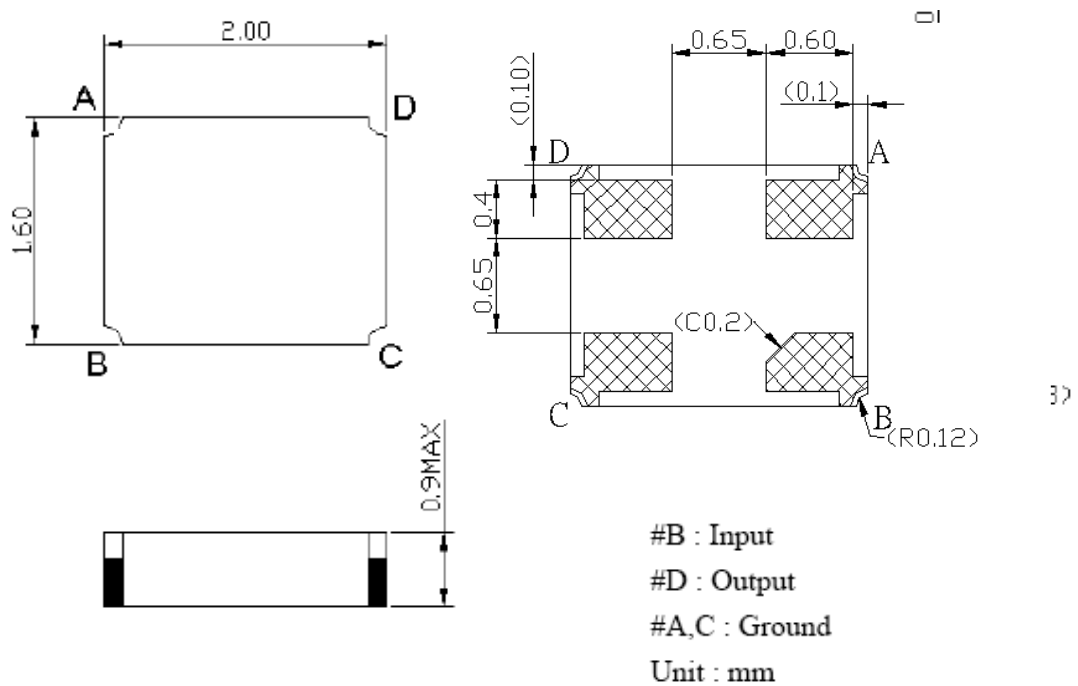
Part No: MP06050

Rev No: 1

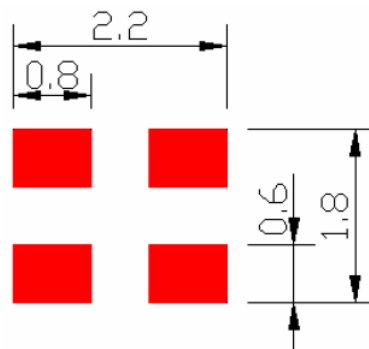
C. MEASUREMENT CIRCUIT:



D. OUTLINE DRAWING:



E. PCB FOOTPRINT:

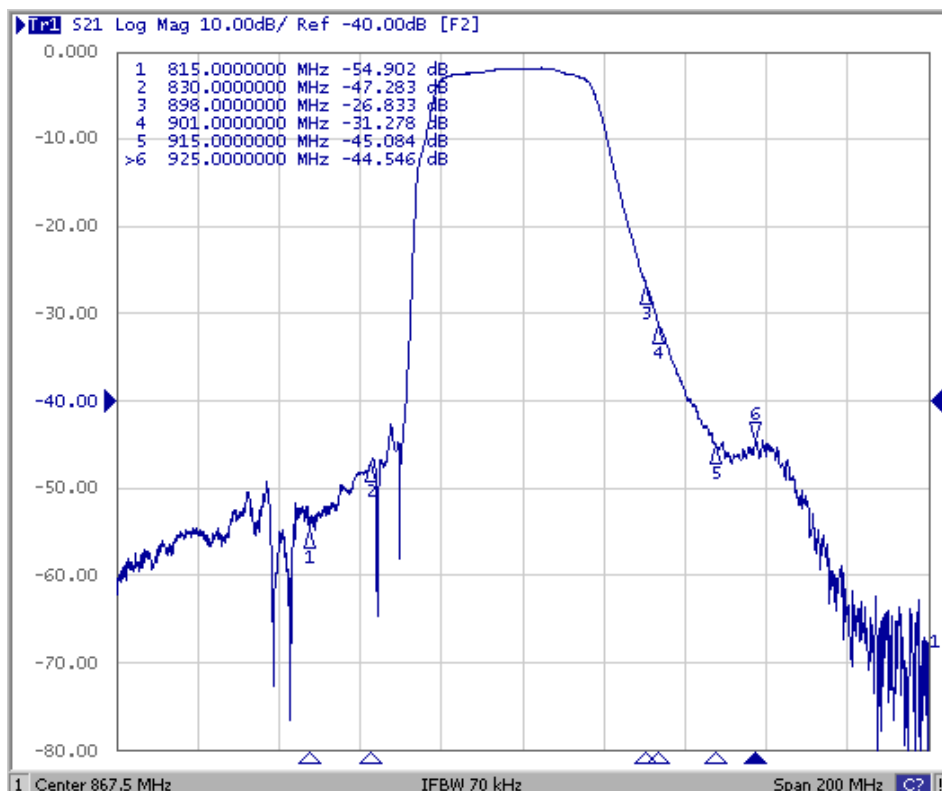
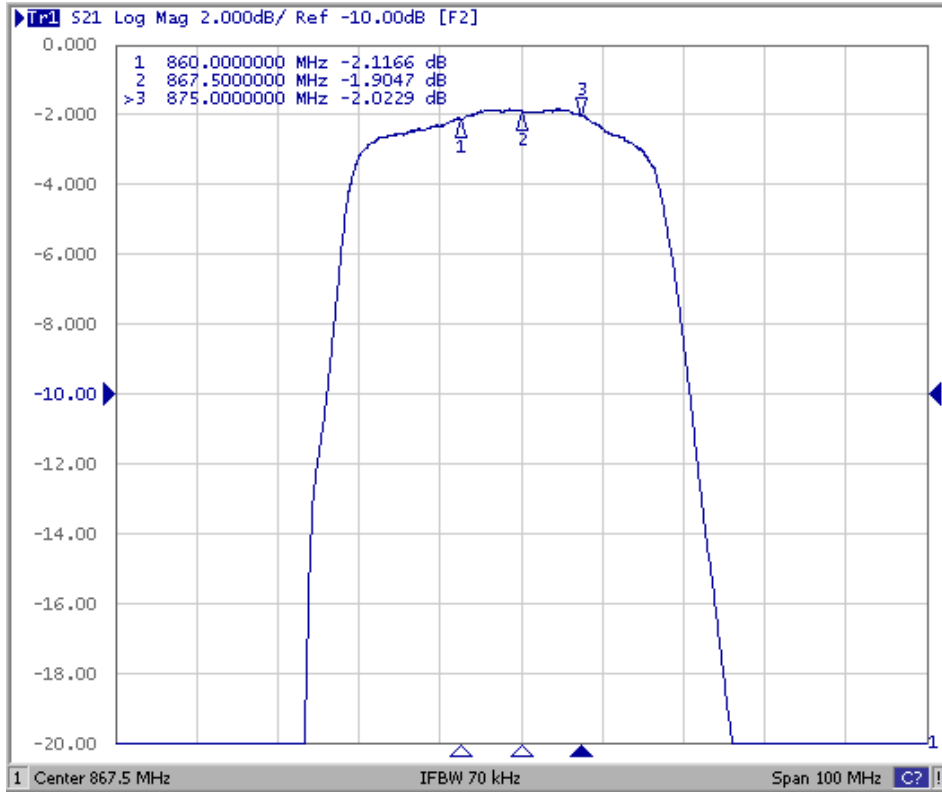


SAW Filter 867.50MHz
Part No: MP06050

Model: TA1735A
Rev No: 1

F. FREQUENCY CHARACTERISTICS:

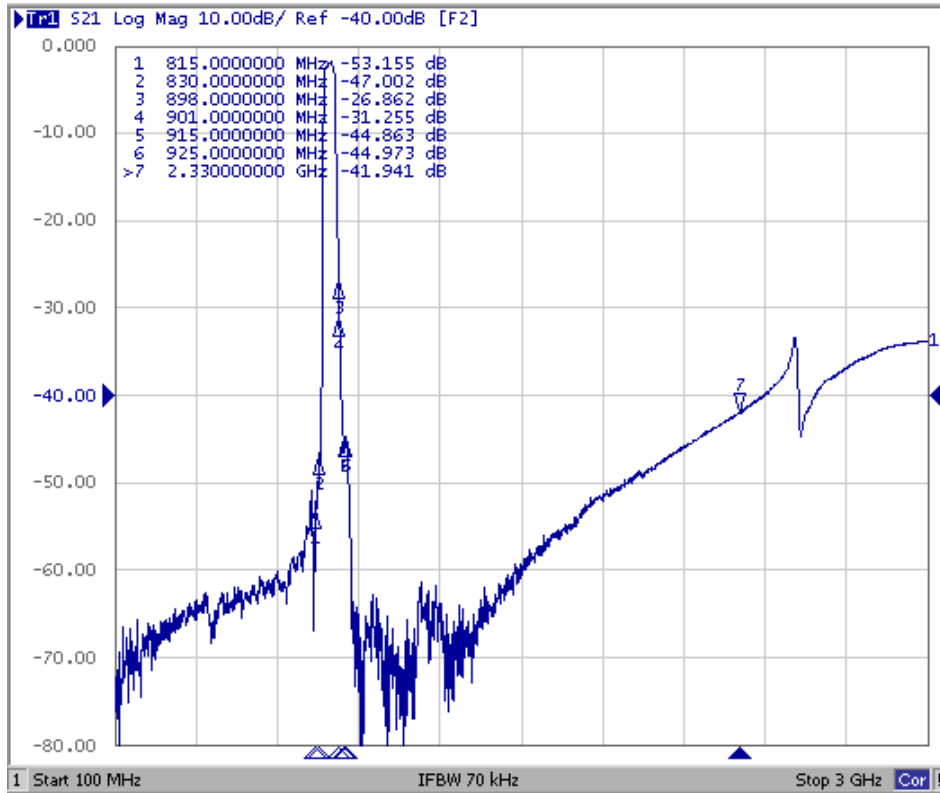
1. Transfer function



SAW Filter 867.50MHz
Part No: MP06050

Model: TA1735A
Rev No: 1

2. Wideband

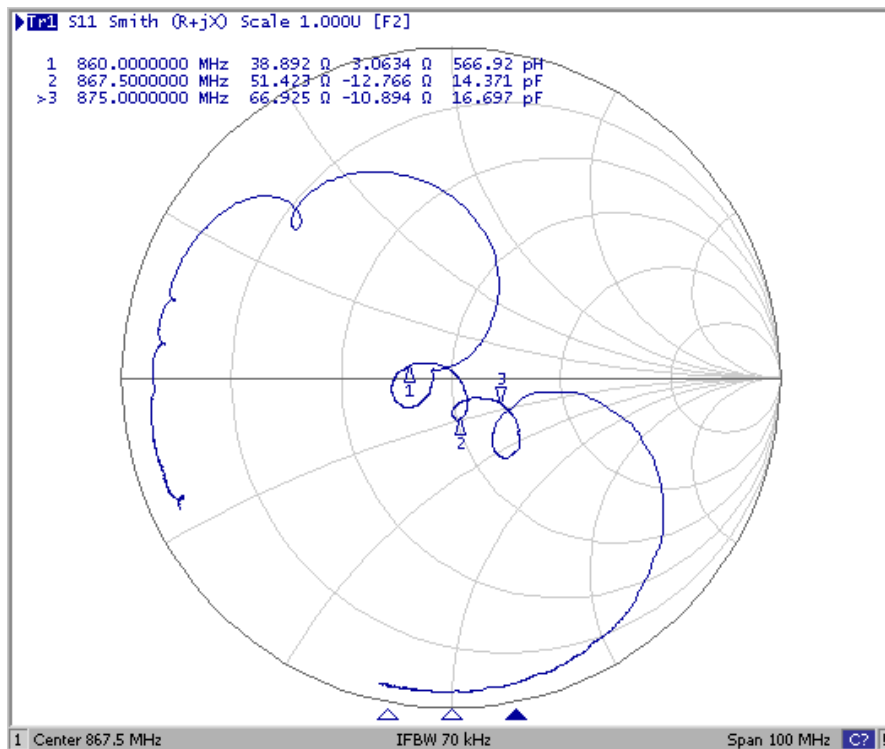
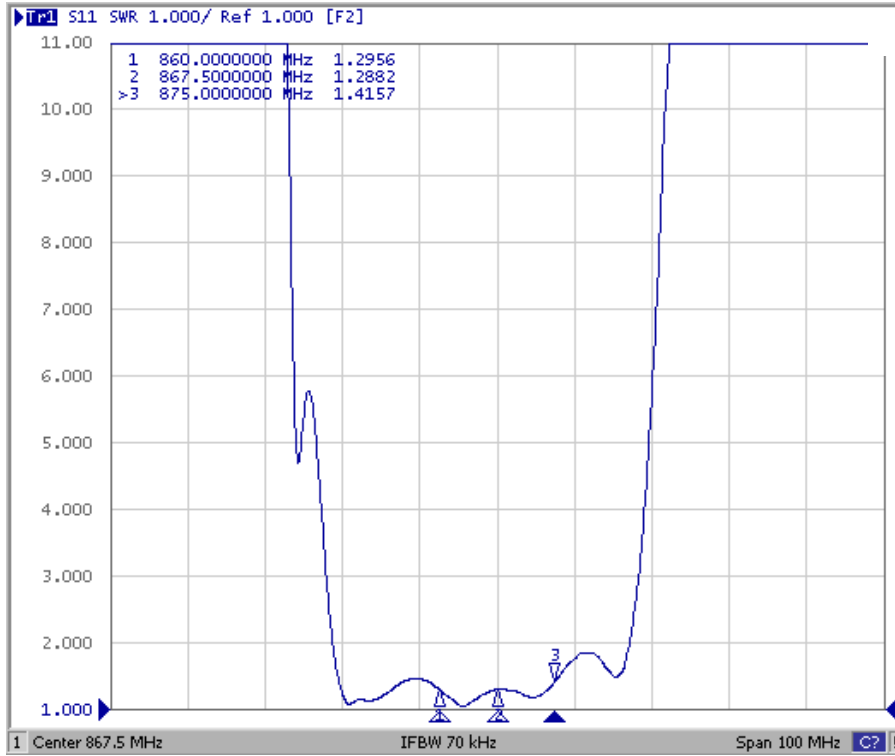


SAW Filter 867.50MHz
Part No: MP06050

Model: TA1735A
Rev No: 1

3. Reflections Functions

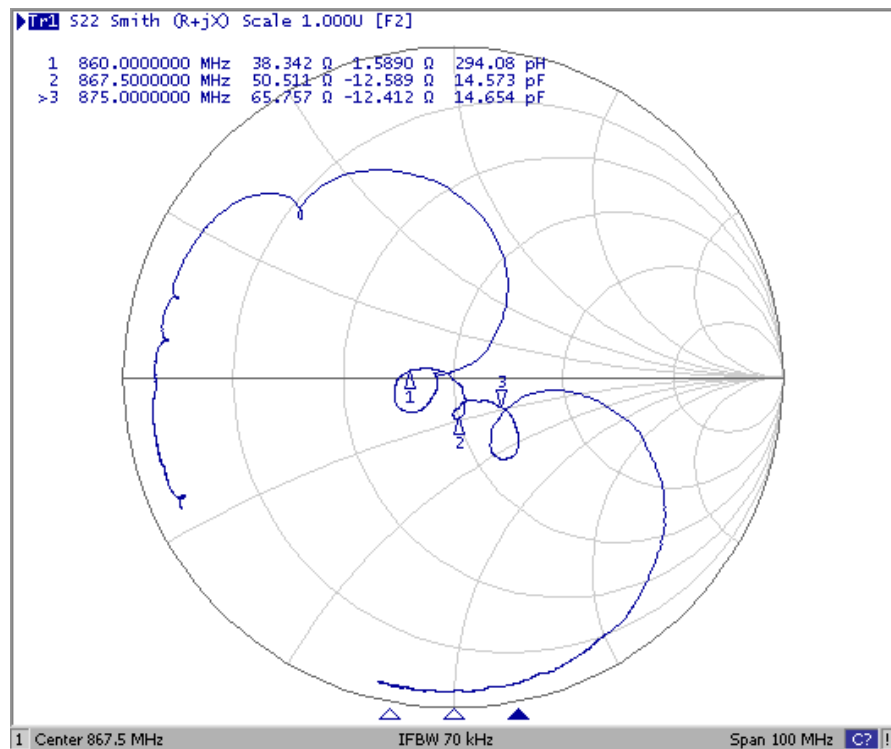
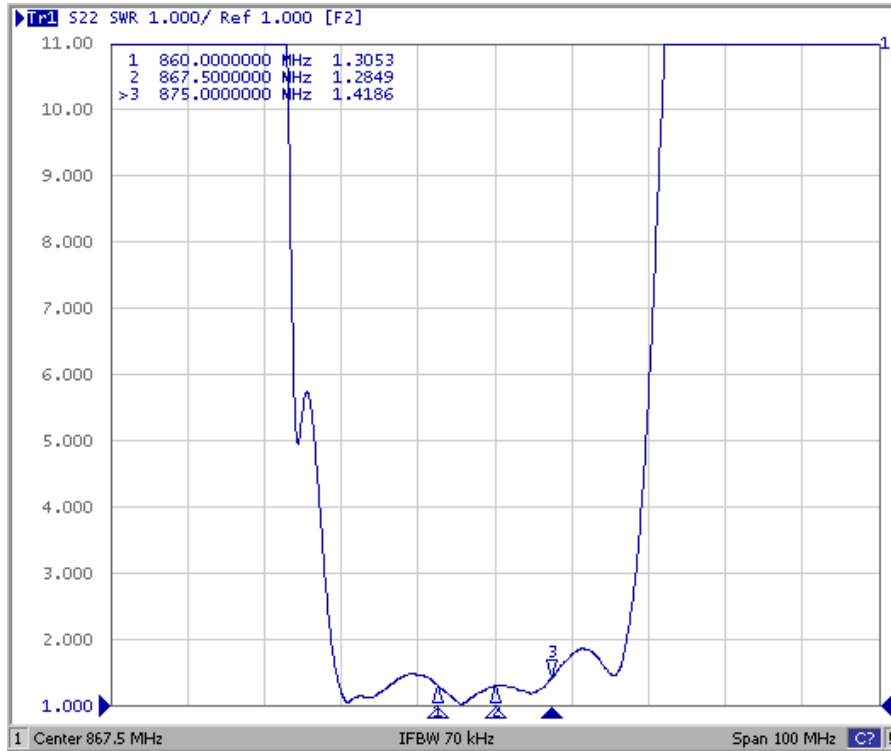
S11 VSWR



SAW Filter 867.50MHz
Part No: MP06050

Model: TA1735A
Rev No: 1

S22 VSWR

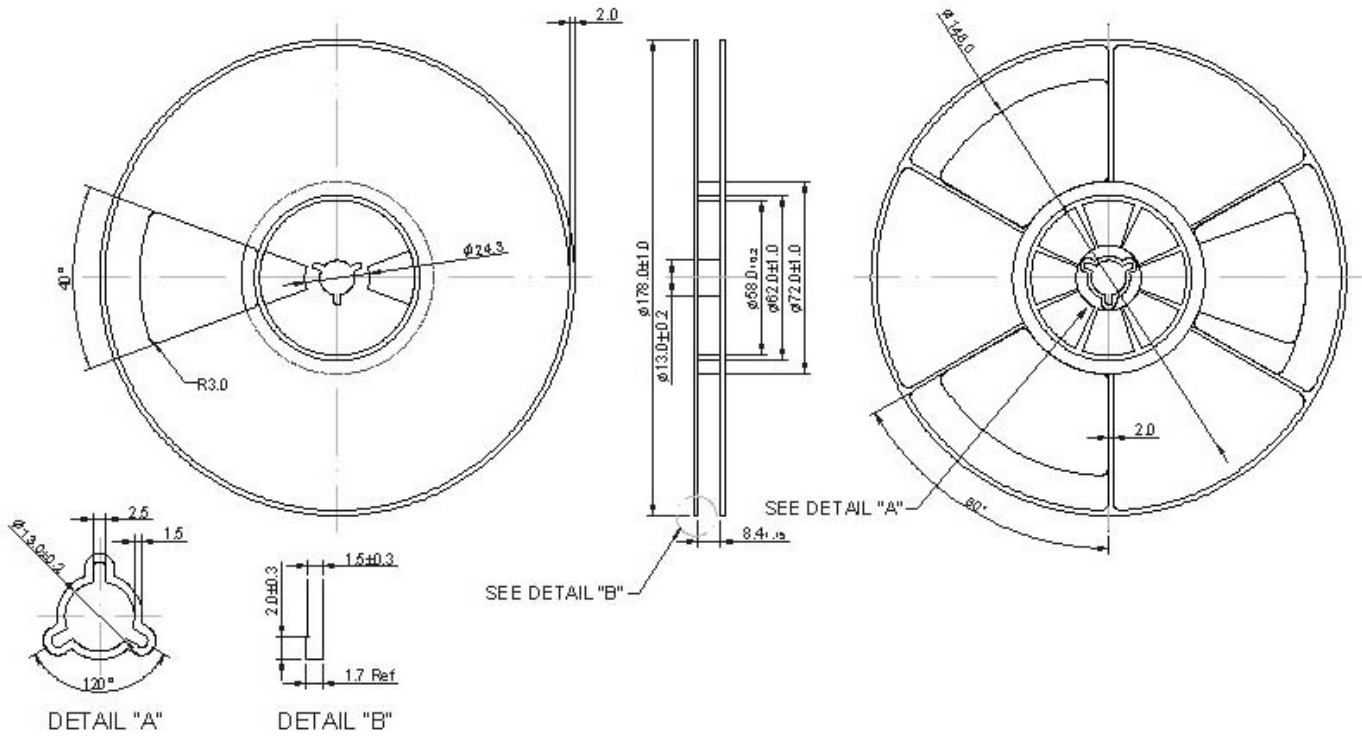


SAW Filter 867.50MHz
Part No: MP06050

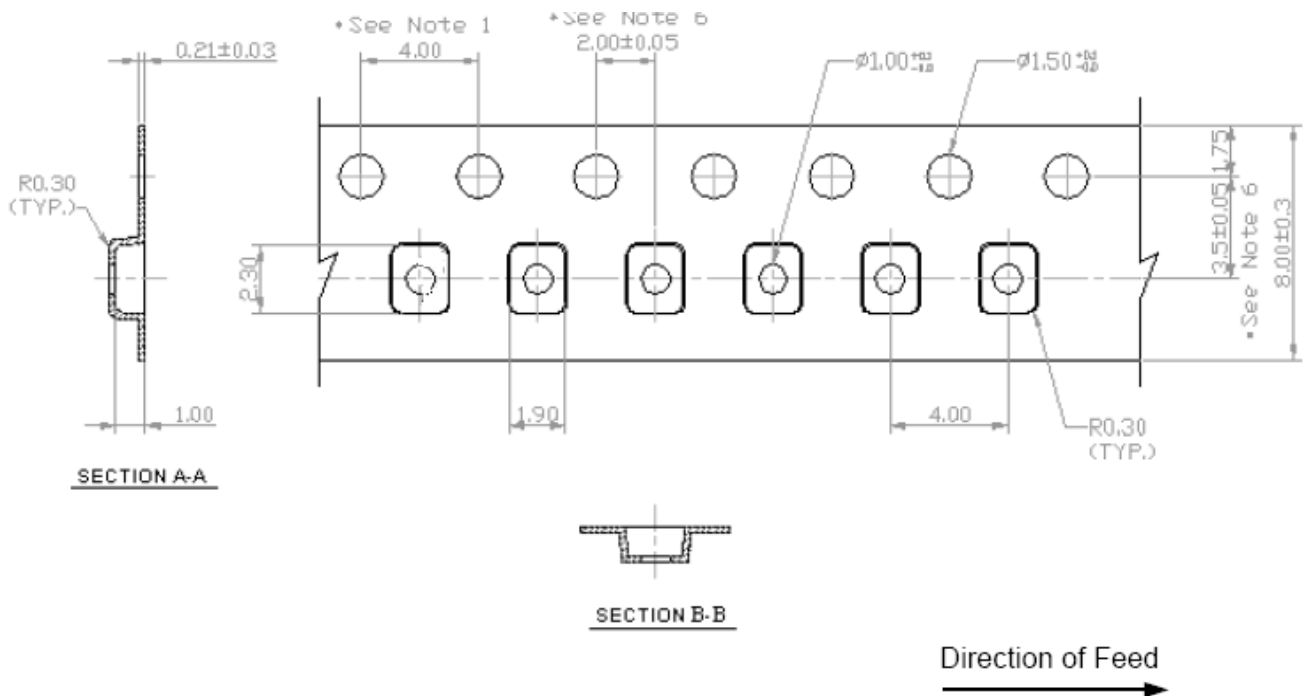
Model: TA1735A
Rev No: 1

G. PACKING:

1. Reel Dimension (Please refer to FR-75D10 for packing quantity)



2. Tape Dimension



SAW Filter 867.50MHz
Part No: MP06050

Model: TA1735A
Rev No: 1

H. RECOMMENDED REFLOW PROFILE:

