

ROTAMAG

Magnetic incremental encoder

Series

MI36K • MC36K



- Compact magnetic encoders
- Stainless steel housing for the food industry
- IP67 protection with sealed circuits (option)



MI36K • MC36K

ENVIRONMENTAL SPECIFICATIONS

Shock:	100 g, 6 ms
Vibrations:	10 g, 5-2000 Hz
Protection:	IP65
Operating temperature range:	-25°C +85°C (-13°F +185°F)
Storage temperature range:	-25°C +85°C (-13°F +185°F) (98% R.H. without condensation)
Option:	• IP67 protection with sealed circuits

MECHANICAL SPECIFICATIONS

Dimensions:	see drawing
Shaft diameter:	Ø 6 mm
Shaft loading (axial and radial):	20 N max.
Shaft rotational speed:	12000 rpm max.
Starting torque (at 20°C):	0,1 Ncm (typical)
Bearings life:	10 ⁹ rev. min.
Electrical connections:	cable output 1 m (3.3 ft)
Weight:	~ 50 g (1,7 oz)
Option:	• additional cable

ELECTRICAL SPECIFICATIONS

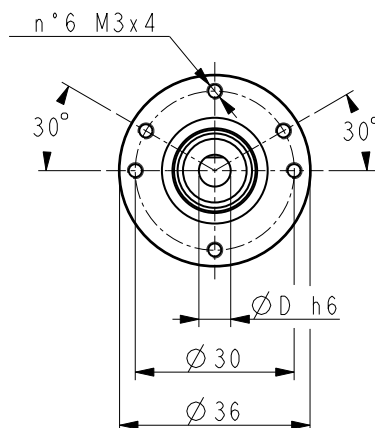
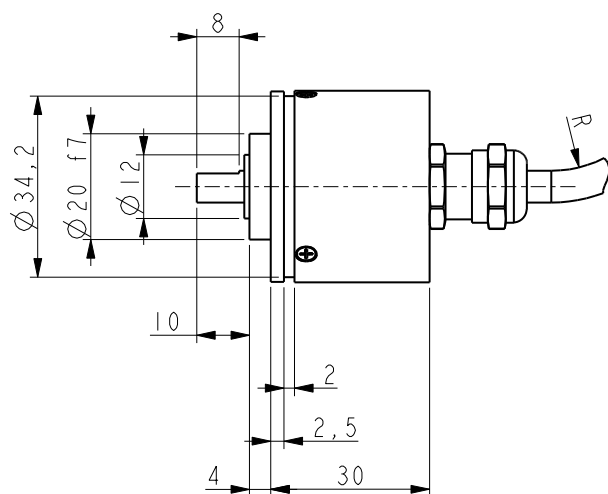
Resolution (PPR):	4-8-10-16-20-25-32-40-50-64-80-100-125-128 200-250-256-400-500-512-1024-2048
Accuracy:	± 1°
Counting frequency:	300 kHz max.
Output circuits:	NPN, Push-Pull, Line Driver
Power supply:	5Vdc ±5%, +10Vdc +30Vdc
Consumption:	50 mA max.
Output current (each channel):	40 mA max.
Protection:	against inversion of polarity and short-circuit (except L circuit)
EMC:	electro-magnetic immunity, according to: EN 61000-4-2 EN 61000-4-4

MATERIALS

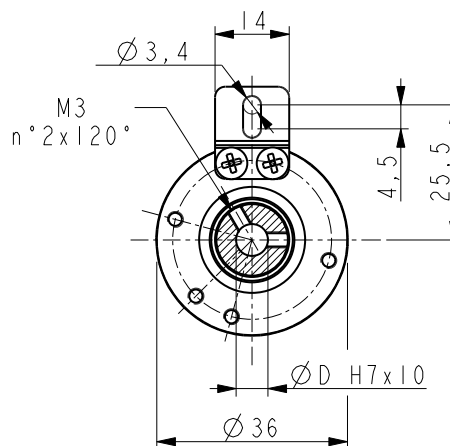
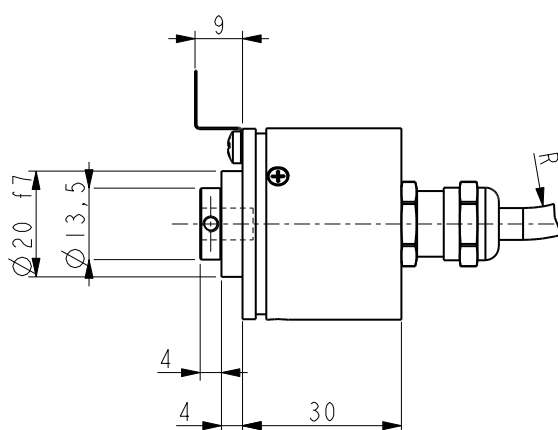
Flange:	AISI 303 stainless steel
Housing:	AISI 303 stainless steel
Bearings:	ABEC 5
Shaft:	AISI 303 stainless steel

ACCESSORIES

MST5-16-6-6:	Stainless steel coupling
--------------	--------------------------



MI36K



MC36K

Order code

MI36K MC36K	-	X a	-	XXXX b	XXX c	X d	X e	X f	X g	XX h	/Sxxx i
----------------	---	--------	---	-----------	----------	--------	--------	--------	--------	---------	------------

<p>a OUTPUT CIRCUITS</p> <p>N = NPN Y = Push Pull L = Line Driver (RS422)</p>	<p>c OUTPUT SIGNALS</p> <p>ZNF = ABO ZCU = ABO, /ABO</p>	<p>e SHAFT DIAMETER</p> <p>6 = 6 mm</p>	<p>h CABLE LENGTH</p> <p>L1 = cable output 1 m (standard) L2 = cable output 2 m Lx = cable output x m</p>
<p>b RESOLUTION (PPR)</p> <p>See electrical specifications</p>	<p>d SUPPLY VOLTAGE</p> <p>1 = +5V±5% (L output circuit) 2 = +10V÷ +30V (Y or N output circuit)</p>	<p>f CONNECTION POSITION</p> <p>- = axial</p>	<p>i CUSTOM VERSION</p>
		<p>g PROTECTION</p> <p>- = IP65 J = IP67 with sealed circuits</p>	