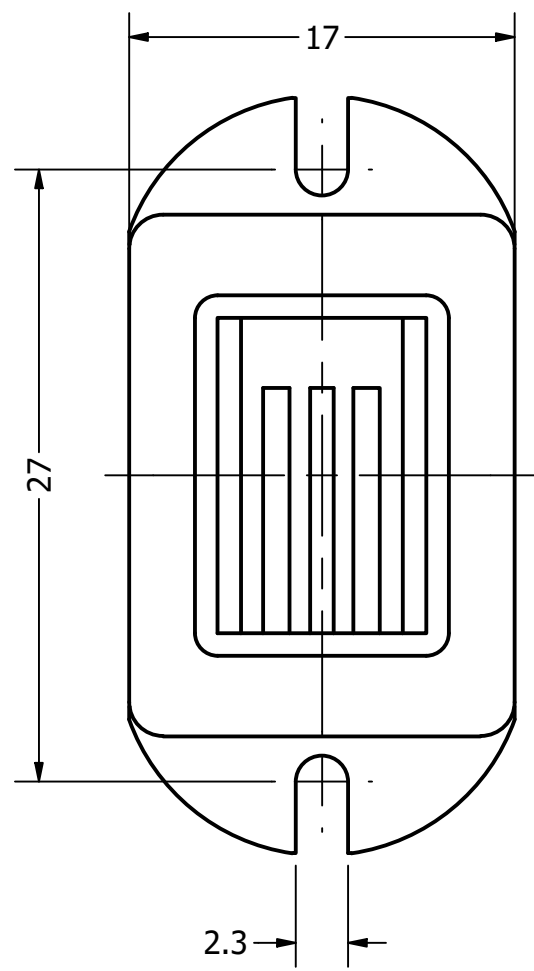


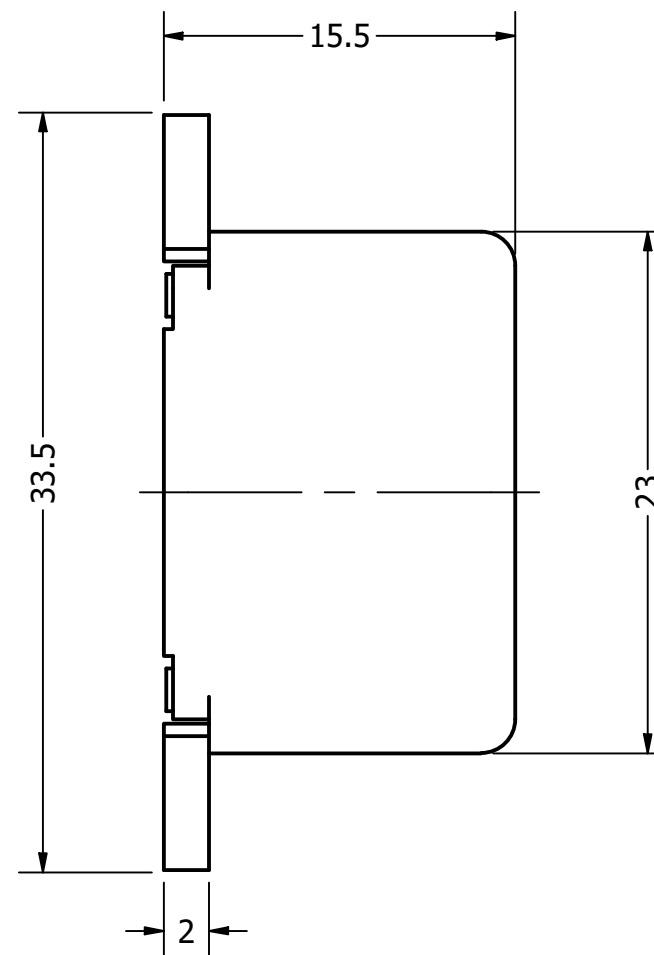
Part Number:	IE320425-1	
DESCRIPTION:	Electro-Mechanical Indicator	
DRAWN	CJ	5/20/2019
CHECKED	C.H.	5/28/2019
APPROVED	C.E.	5/28/2019

This document contains data proprietary to DB Unlimited. Any use or reproduction, in any form, without prior written permission of DB Unlimited is prohibited. All terms and conditions can be found at www.dbunlimitedco.com

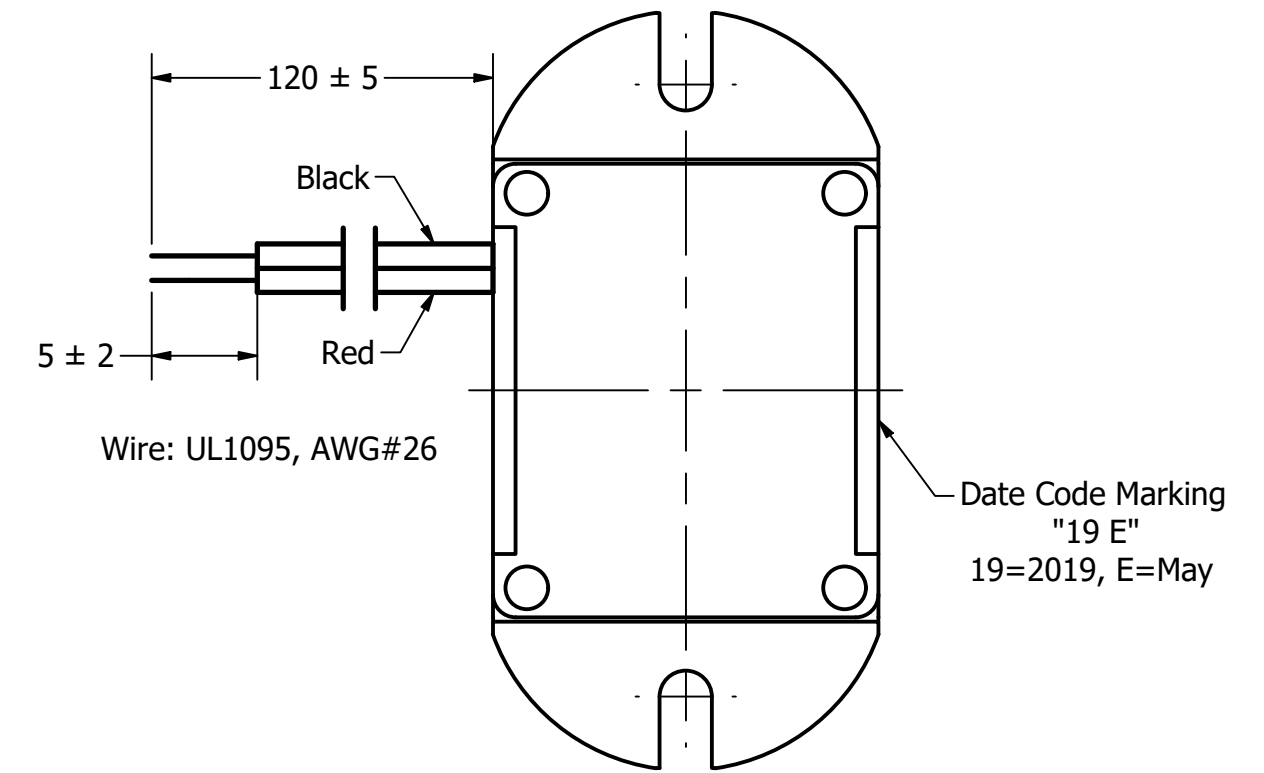
Top View



Side View



Bottom View



Items	Specifications	Conditions
Min. Sound Pressure Level	81	dB (@ 10cm)
Tone	Single	
Resonant Frequency	400	Hz
Rated Voltage	24	V
Voltage Range	15 ~ 27	V
Max. Rated Current	30	mA
Storage Temperature	-20 ~ +70	°C
Operating Temperature	-20 ~ +70	°C
Connection Method	Lead Wires	
Mount Type	Flange Mount	
Housing Material	ABS	
Weight	8	g

REVISION HISTORY

REV	DESCRIPTION	DATE	APPROVED
	Released from Engineering	10/21/2013	J.S.
1	Updated drawing template, length, SPL, temps, weight	5/28/2019	C.E.

NOTES

- 1) All dimensions are in mm unless otherwise noted
- 2) All tolerances are ± 0.5 mm unless otherwise noted
- 3) All parts meet RoHS
- 4) Subject to change or redrawn without notice