

PanView iQ™ (PViQ™) TX6A™ 10Gig™ Keyed Shielded Jack Module

specifications

Category 6A/Class E_A, 8-position keyed shielded jack module shall terminate shielded twisted 4-pair, 22 – 26 AWG, 100 ohm cable without the use of a punchdown tool. The forward motion termination method shall optimize performance by maintaining cable pair geometry and eliminating conductor untwist. The jack module shall be mechanically keyed with positive keying features to prevent unintentional mating with unlike keyed or non-keyed (non-PViQ™) patch cords. The termination cap shall indicate T568A and T568B wiring schemes. PViQ™ Jack Modules shall be used with the PViQ™ System only.



technical information

Category 6A/ Class E_A channel and component performance:	Certified channel performance in a 4-connector configuration up to 100 meters and exceeds the requirements of ANSI/TIA-568-C.2 Category 6A and ISO 11801 Class E _A standards
FCC compliance:	Meets ANSI/TIA-968-A; contacts plated with 50 micro-inches of gold for superior performance
IEC compliance:	Meets IEC 60603-7
PoE compliance:	Meets IEEE 802.3af and IEEE 802.3at for PoE applications
UL rated:	UL 1863 approved
Conductor termination range:	Wire cap compatible with 22 – 26 AWG solid or stranded cable with conductor insulation diameters of 0.060 in. max and overall cable O.D. 0.200 in. to 0.330 in.

key features and benefits

Positive keying features	Improves security by mechanically preventing connections with non-PViQ™ Patch Cords
Integrated block out feature	Prevents insertion of RJ11 phone plugs
100% performance tested	Confidence that each jack module will deliver the critical electrical performance requirements
Utilizes enhanced Giga-TX™ Technology	Wire cap optimizes performance by eliminating conductor untwist and reduces installation time and expense; simplifies termination and maintains conductor twists for reliable and consistent terminations
Modular	Shielded jack modules snap in and out of shielded PViQ™ Modular Patch Panels for easy moves, adds, and changes
True strain relief	Controls cable bend radius for long term installed performance
Individually serialized	Marked with quality control number for future traceability
Termination tools (optional)	EGJT termination tool ensures conductors are fully terminated by utilizing a smooth forward motion without impact on critical internal components for maximum reliability; TGJT is tool ideal for high volume installations

applications

Panduit's PanView iQ™ (PViQ™) System, which includes intelligent patch panels, modules and cabling, seamlessly feeds information directly into the Physical Infrastructure Manager™ (PIM™) Software Platform to provide continuous real-time patch field monitoring and visibility of physical infrastructure

connectivity for enhanced system reliability, security, and capacity management.

PViQ™ Keyed Shielded Jack Modules provide mechanical differentiation and physical layer security that conventional cabling systems cannot provide.

PanView iQ™ TX6™ 10Gig™ Keyed Shielded Jack Module

Jack module: CJSQ6X88TGBL*

PanView iQ™ Patch Panels

**Modular, intelligent, blank 24-port
Flat shielded:** PVQ-MIQPS24
Angled, shielded: PVQ-MIQAPS24

PanView iQ™ Intelligence Modules

**Panel Manager
(PM):** PVQ-PM

**Expansion
Manager (EM):** PVQ-EM

Note: PM requires PanView iQ™ Power Supply (not included).

PanView iQ™ TX6™ 10Gig™ Keyed Shielded Patch Cords

**Cross-Connect – STP 10Gig
Meter lengths:** PVSTP6X^MBBU

**Interconnect – Enhanced STP 10Gig
Foot lengths:** PVQ-ES6X^MBU
Meter lengths: PVQ-ES6X^^MBU

TX6™ 10Gig™ Shielded Copper Cable

Plenum: PUF6X04**-UG
Riser: PUF6X04**-UG

PanView iQ™ Power Supply

**12 volt power supply
(North America):** PVQ-PS12VDC-S
(Europe): PVQ-PS12VDC-E
(UK): PVQ-PS12VDC-U
(Japan): PVQ-PS12VDC-J
(China): PVQ-PS12VDC-C

Tools and Accessories

Termination tools: TGJT or EGJT
Wire snipping tool: CWST
Wire stripping tool: CJUST
Clear dust cap: MDC-C

*Available in black only.

**To designate color, add suffix BU (Blue), or WH (White).

^For lengths 1 to 10 meters (one meter increments) and 1, 2, 3, 5, 10 meters, change the length designation in the part number to the desired length. For standard cable colors other than BU (Blue), substitute the BU suffix with BL (Black), RD (Red), YL (Yellow), or GR (Green). For example, the part number for a green 5-foot patch cord is PVSTP6X5MBGR.

^^For lengths 3 to 20 feet (one foot increments) and 3, 5, 7, 10, 14, 20 feet, change the length designation in the part number to the desired length. For standard cable colors other than BU (Blue), substitute the BU suffix with WH (White). For example, the part number for a white 5-foot patch cord is PVQ-ES6X5WH.

^^^For lengths 1 to 10 meters (one meter increments) and 1, 2, 3, 5, 10 meters, change the length designation in the part number to the desired length. For standard cable colors other than BU (Blue), substitute the BU suffix with WH (White). For example, the part number for a white 5-foot patch cord is PVQ-ES6X5MWH.

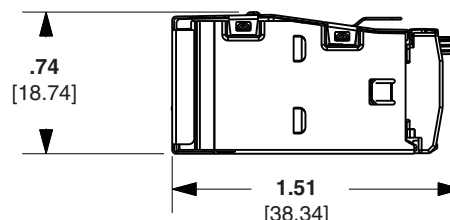
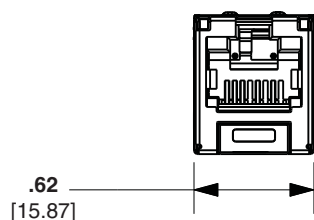
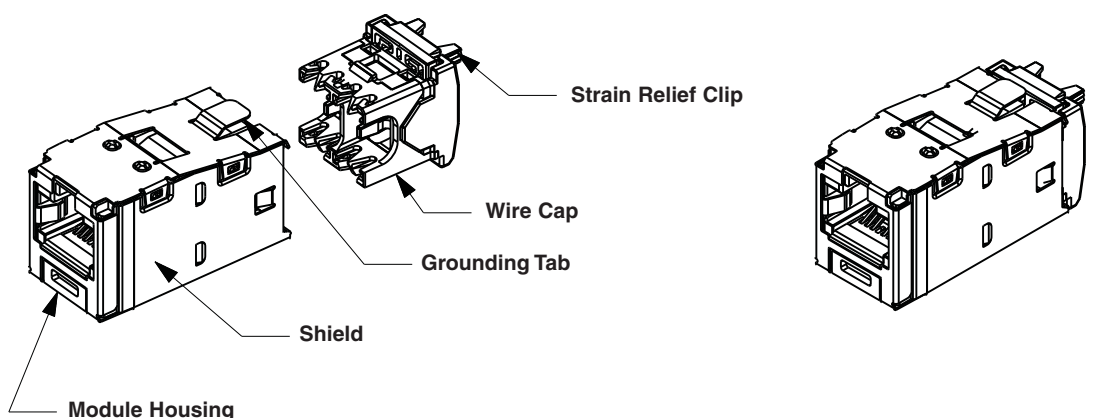
PanView iQ™ (PViQ™) TX6A™ 10Gig™ Keyed Shielded Jack Module

Reliability Tests

Mechanical Test	Test Method	Measurement	Typical Test Results
Normal Force	—	Load (grams)	> 100
Vibration	IEC 512-6d	Circuit Resistance (mOhms)	< 40
Shock	IEC 512-6c	Contact Disturbance (microsecond)	< 5
Durability	IEC 512-9a	Circuit Resistance (mOhms)	< 40
Mating/Un-Mating	IEC 512-13b	Mating Force (N)	< 20
		Un-Mating Force (N)	< 20

Electrical Test	Test Method	Measurement	Typical Test Results
Low Level Circuit Resistance	IEC 512-2a	Resistance (mOhms)	< 20
Dielectric Withstand Voltage	IEC 512-4a	1000 V, 1 minute	Passed
Insulation Resistance	IEC 512-3a	Resistance (MOhms)	> 500

Environmental	Test Method	Measurement	Typical Test Results
Temperature Life	IEC 512-9b	Circuit Resistance (mOhms)	< 40
Humidity	IEC 512-11c	Circuit Resistance (mOhms)	< 40
Thermal Shock	IEC 512-11d	Circuit Resistance (mOhms)	< 40
Climatic Sequence	IEC 512-11a	Circuit Resistance (mOhms)	< 40
Flowing Mixed Gas Corrosion	IEC 512-11g	Circuit Resistance (mOhms)	< 40



Dimensions are in inches. [Dimensions in brackets are metric].

WORLDWIDE SUBSIDIARIES AND SALES OFFICES

PANDUIT CANADA
Markham, Ontario
cs-cdn@panduit.com
Phone: 800.777.3300

PANDUIT EUROPE LTD.
London, UK
cs-emea@panduit.com
Phone: 44.20.8601.7200

PANDUIT SINGAPORE PTE. LTD.
Republic of Singapore
cs-ap@panduit.com
Phone: 65.6305.7575

PANDUIT JAPAN
Tokyo, Japan
cs-japan@panduit.com
Phone: 81.3.6863.6000

PANDUIT LATIN AMERICA
Guadalajara, Mexico
cs-la@panduit.com
Phone: 52.33.3777.6000

PANDUIT AUSTRALIA PTY. LTD.
Victoria, Australia
cs-aus@panduit.com
Phone: 61.3.9794.9020

For a copy of Panduit product warranties, log on to www.panduit.com/warranty



For more information
Visit us at www.panduit.com
Contact Customer Service by email: cs@panduit.com
or by phone: 800.777.3300

©2012 Panduit Corp.
ALL RIGHTS RESERVED.
PVSP80--WW-ENG
Replaces WW-PVSP40
12/2012