

**MODEL:** CDMG15008-03A | **DESCRIPTION:** SPEAKER**FEATURES**

- 15 mm round frame
- 0.3 W input power
- 8.0 Ohm
- PEI cone
- neodymium magnet

**SPECIFICATIONS**

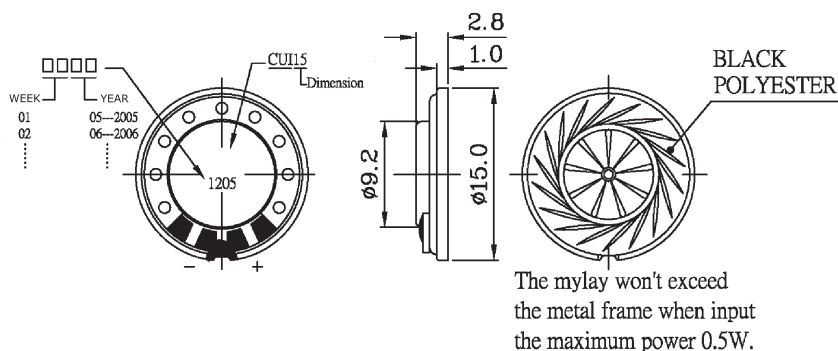
| parameter             | conditions/description  | min | typ | max    | units              |
|-----------------------|---|-----|-----|--------|--------------------|
| input power           | max. power: IEC-60268-5, filter 60 s on / 120 s off, 10 cycles at room temp |     | 0.3 | 0.5    | W                  |
| impedance             | at 1.5 kHz, 1 V   | 6.8 | 8   | 9.2    | $\Omega$           |
| resonant frequency    | at 1 V  | 720 | 900 | 1,080  | Hz                 |
| response              |   |     |     | 20,000 | Hz                 |
| sound pressure level  | at 0.3 W, 10 cm ave. at 1.0, 1.2, 1.5, 2.0 kHz                              | 87  | 92  | 95     | dB                 |
|                       | at 1.0 W, 1 m ave. at 1.0, 1.2, 1.5, 2.0 kHz                                | 85  | 88  | 91     | dB                 |
| distortion            | at 1.5 kHz, 0.3 W   |     |     | 10     | %                  |
| buzz, rattle, etc.    | must be normal at sine wave between Fo-20 kHz                               |     |     | 1.55   | V                  |
| dimensions            | $\varnothing 15 \times 2.8$   |     |     |        | mm                 |
| magnet                | Nd-Fe-B   |     |     |        |                    |
| material              | metal   |     |     |        |                    |
| cone material         | PEI   |     |     |        |                    |
| terminal              | solder pads   |     |     |        |                    |
| operating temperature |   | -40 |     | 85     | $^{\circ}\text{C}$ |
| weight                |   |     | 1.2 |        | g                  |
| RoHS                  | yes   |     |     |        |                    |

**SOLDERABILITY**

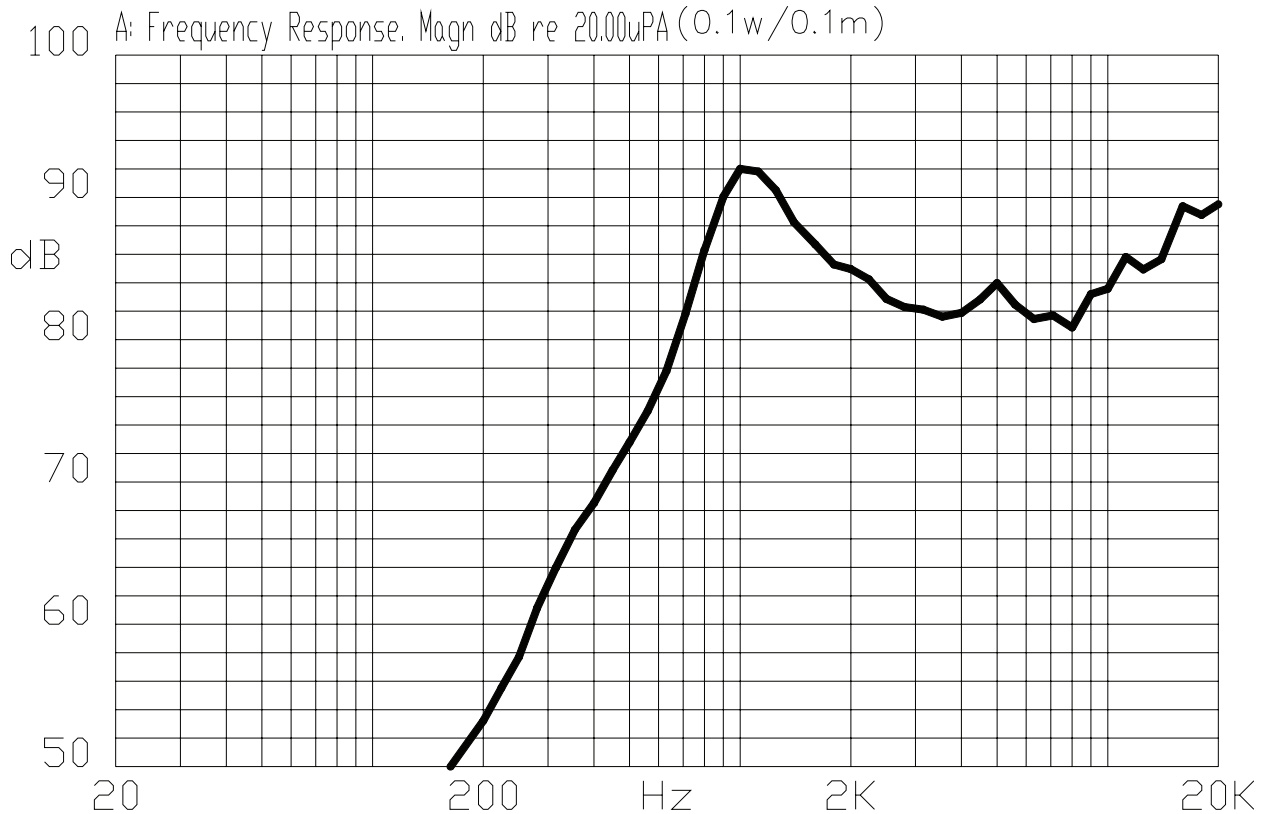
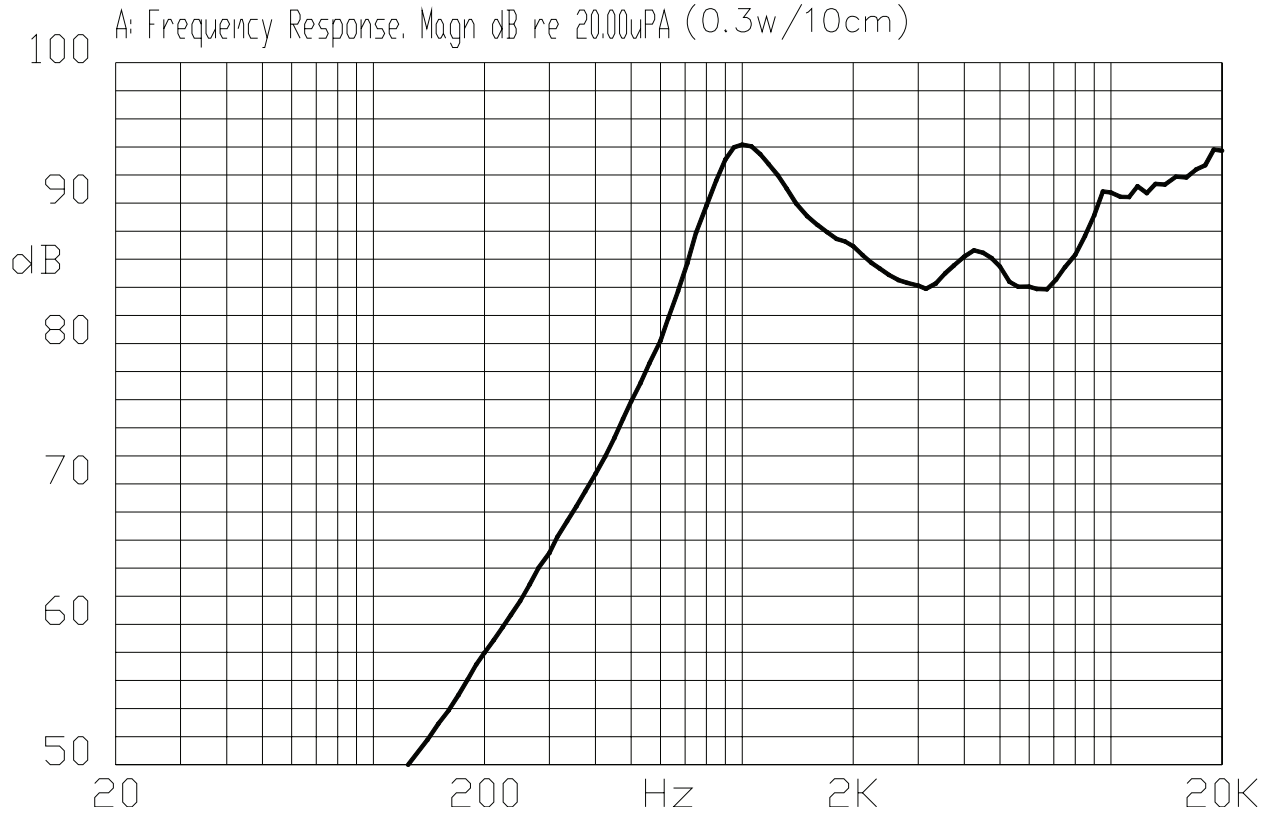
| parameter      | conditions/description | min | typ | max | units              |
|----------------|------------------------|-----|-----|-----|--------------------|
| hand soldering | for 3 $\pm$ 1 seconds  | 360 | 370 | 380 | $^{\circ}\text{C}$ |

**MECHANICAL DRAWING**

units: mm  
tolerance:  $\pm 0.2$  mm



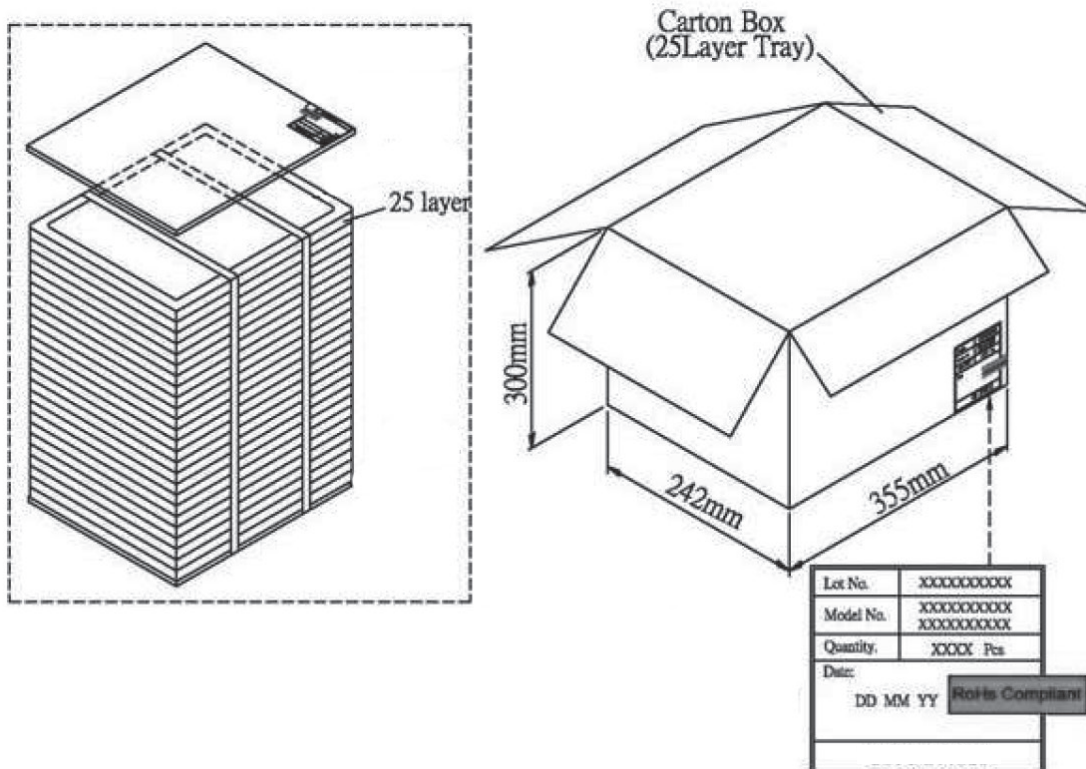
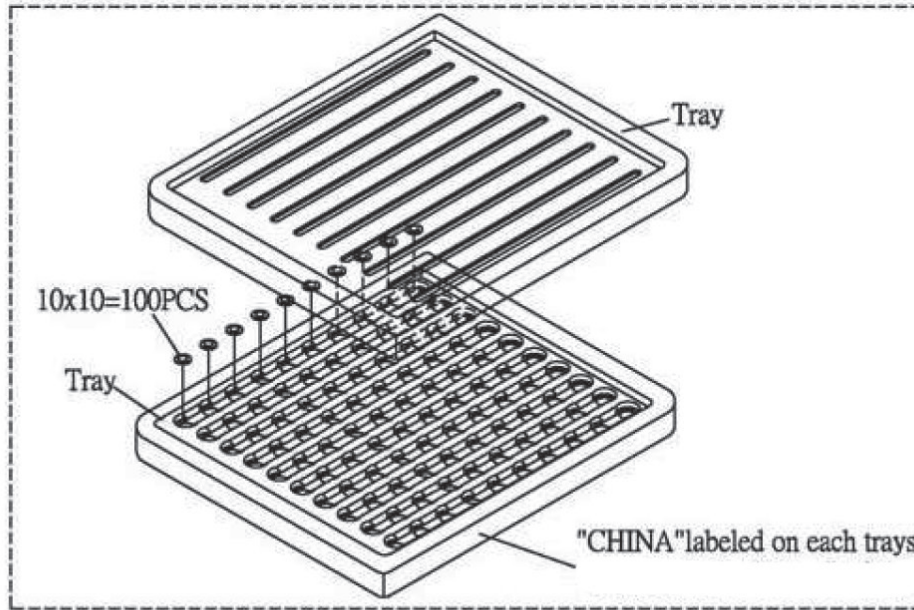
## FREQUENCY RESPONSE CURVE



## PACKAGING

units: mm

Tray Size: 350 x 235 x 20 mm  
 Tray QTY: 100 pcs per tray  
 Carton Size: 355 x 242 x 300 mm  
 Carton QTY: 2,500 pcs per carton



## REVISION HISTORY

| rev. | description                  | date       |
|------|------------------------------|------------|
| 1.0  | initial release              | 12/06/2006 |
| 1.01 | brand update                 | 04/15/2021 |
| 1.02 | logo, datasheet style update | 08/05/2022 |

The revision history provided is for informational purposes only and is believed to be accurate.



CUI Devices offers a one (1) year limited warranty. Complete warranty information is listed on our website.

CUI Devices reserves the right to make changes to the product at any time without notice. Information provided by CUI Devices is believed to be accurate and reliable. However, no responsibility is assumed by CUI Devices for its use, nor for any infringements of patents or other rights of third parties which may result from its use.

CUI Devices products are not authorized or warranted for use as critical components in equipment that requires an extremely high level of reliability. A critical component is any component of a life support device or system whose failure to perform can be reasonably expected to cause the failure of the life support device or system, or to affect its safety or effectiveness.

[cuidevices.com](http://cuidevices.com)