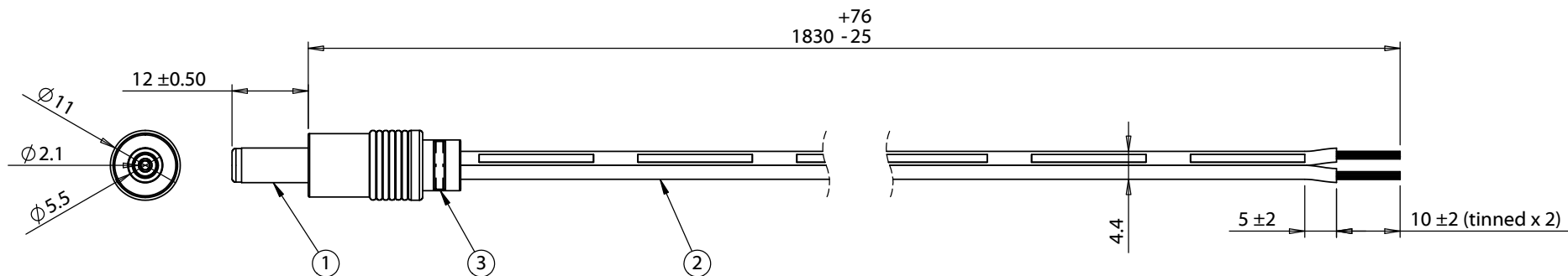


ITEM NO.	PART NUMBER	DESCRIPTION	QTY.	COMPONENT NOTES
1	50-00126	Connector, dc plug, 5.5x2.1xL22.5 mm, brass nickel plated	1	
2	30-00007	Wire, 2C BC, 18 AWG, UL2468, 300V, 80C, 4.4 mm, VW-1, PVC, 87A	1	
3	24-00016	Overmold, PVC, black	1	



Notes:

Electical requirement: 3 A, 36 Vdc

Hi-Pot test: 600 Vac, 0.5 mA, 1 second

Wiring Diagram	
50-00126	wire color
center	black with stripe
sleeve	black

Revision:	Date:	Description:	Prepared:	Notes:	<h1>TENSILITY</h1> tel 1.541.323.3228 800 877.670.7118 fax 1.541.323.4202 web tensility.com
A	1/19/2009	Re-issue CUI spec as Tensility	GL 2016.03.15 09:34:58 -07'00'		
A1	9/1/2011	Updated description, connector, and wire information	Verified:	Function test: no open, no short circuit, no intermittent	Size: Part number:
			LA 2016.03.15 09:34:58 -07'00'	Description:	A 053-0186R (CA-2187)
			Dimensions are in millimeters. Tolerances: X: ± 0.5 mm X.X: ± 0.3 mm X.XX: ± 0.05 mm	Cable, 1830 mm, 5.5x2.1x12 mm, 50-00126 dc plug to stripped tinned, 18 AWG, 30-00007 wire	Scale: 1:1
					Sheet 1 of 1