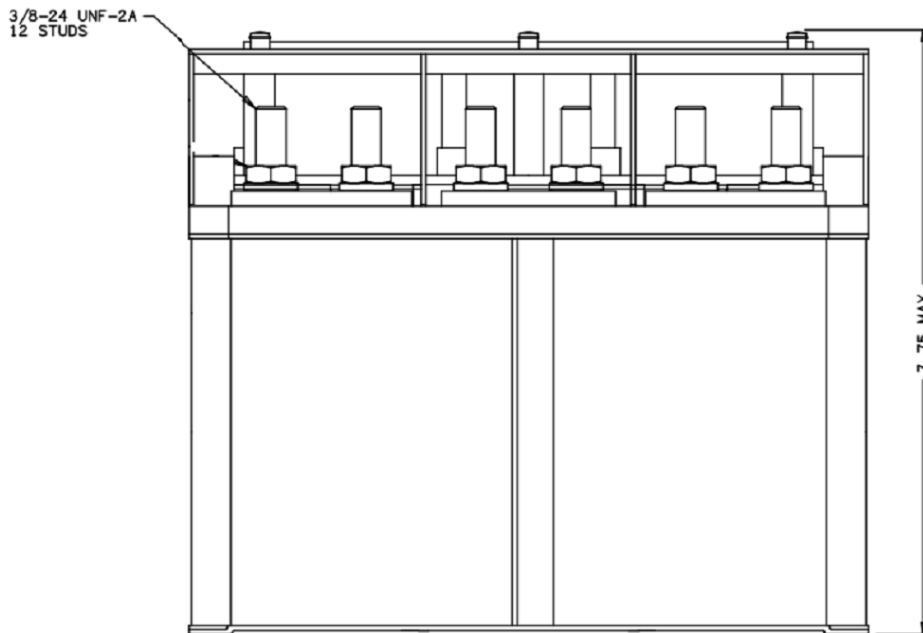
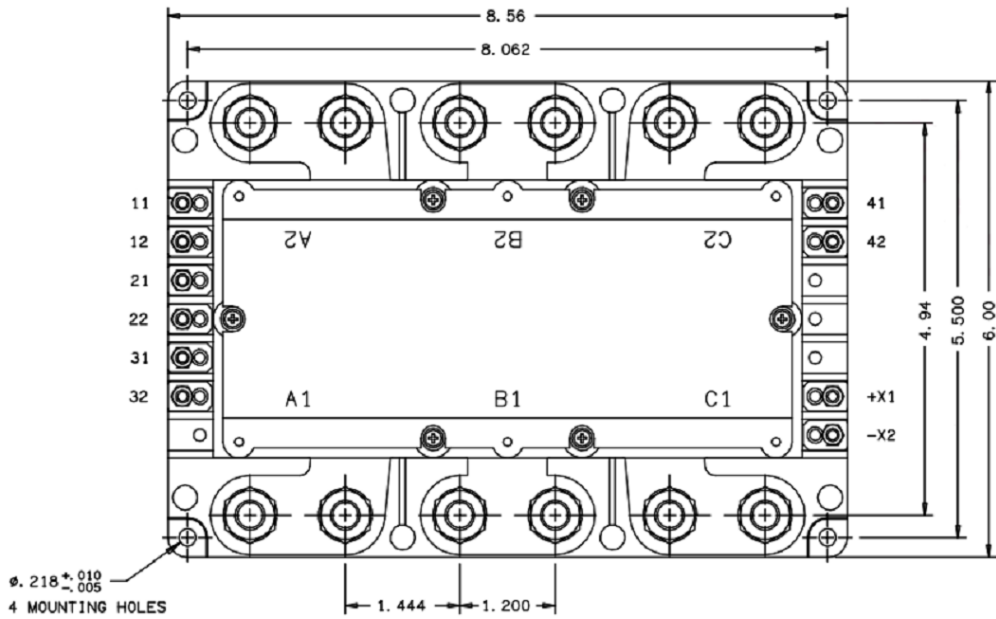


REVISIONS

REV.	ECO	DESCRIPTION	DATE	APPROVED
D	08-009126	45195-020 WAS -010; 17LBS WAS 16	24MAR2008	CS

B-800
CONTACTOR, 3PST N.O. 800A
120/208V, 3 PH, 400Hz
WITH AUXILIARY CONTACT(4PST N.O)



ALL DIMENSIONS ARE IN INCHES



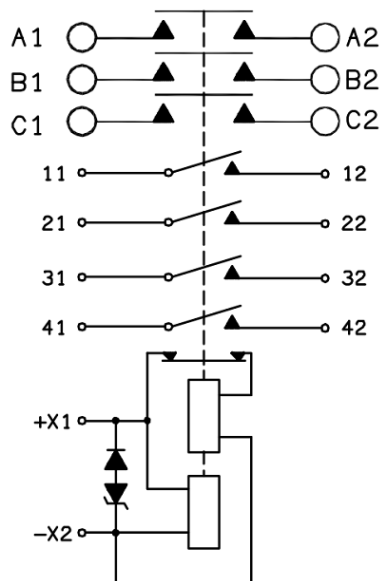
TE CONNECTIVITY
 175 N, DIAMOND STREET MANSFIELD,
 OHIO 44902

TITLE		CONTACTOR, 3PST N.O. 800A 120/208V 3 PH 400Hz		
TE P.N.		1616006-1		DWG NO.
		B-800 RELAY		
DS	DATA SHEET	CAGE CODE	SCALE	SHEET
		74063	NONE	1 OF 2
				REV
				D

GENERAL SPECIFICATION

<p>CONSTRUCTION</p> <p>MAIN CONTACTS</p> <p> CONFIGURATION</p> <p> VOLTAGE (NOMINAL)</p> <p> CURRENT</p> <p>INTERRUPT</p> <p>AUXILIARY CONTACTS</p> <p> VOLTAGE</p> <p> CURRENT</p> <p>COIL DATA</p> <p> DUTY CYCLE</p> <p> NOMINAL VOLTAGE</p> <p> MAX. VOLTAGE</p> <p> PICKUP VOLTAGE</p> <p> DROPOUT VOLTAGE</p> <p> PICKUP TIME</p> <p> DROPOUT TIME</p> <p>OPERATING TEMPERATURE RANGE</p> <p>LIFE ELECTRICAL</p> <p>LIFE MECHANICAL</p> <p>WEIGHT MAX</p>	<p>GASKET SEALED</p> <p>3PST N. O.</p> <p>120/208, 240/416 OR 278/480 VAC 50, 60 OR 400 HZ</p> <p>800 AMPS AT 120/208 VAC</p> <p>400 AMPS AT 240/416 VAC</p> <p>310 AMPS AT 278/480 VAC</p> <p>8000 AMPS AT 120/208 VAC</p> <p>3100 AMPS AT 278/480 VAC</p> <p>4 SPST N. O.</p> <p>28 VDC, 120 OR 240 VAC</p> <p>10 AMPS AT 28 VDC OR 120 VAC</p> <p>5 AMPS AT 240 VAC</p> <p>CONTINUOUS, ECONOMIZING</p> <p>28 VDC</p> <p>32 VDC</p> <p>18 VDC MAX.</p> <p>1 - 7 VDC</p> <p>50 MS MAX. AT 25°C AND 28 VDC</p> <p>35 MS MAX. AT 25°C AND 28 VDC</p> <p>-60 TO +160°F</p> <p>10,000 CYCLES MINIMUM AT 50/60 HZ</p> <p>50,000 CYCLES MINIMUM AT 400 HZ</p> <p>100,000 CYCLES MINIMUM</p> <p>17 LBS</p>
--	--

SCHEMATIC



TE CONNECTIVITY
175 N. DIAMOND STREET MANSFIELD,
OHIO 44902

TITLE
CONTACTOR, 3PST N.O. 800A
120/208V 3 PH 400Hz

TE P.N.
1616006-1

DWG NO.
B-800 RELAY

THIRD ANGLE PROJECTION

THIS DRAWING PREPARED
IN ACCORDANCE WITH
ANSI/ASMEY14.5M-1982

CAGE CODE
74063

SCALE
NONE

SHEET
2 OF 2

REV
D