

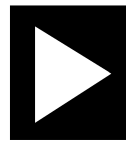
A

B

C

D

ADuCM3029 EZ-KIT Schematic

		ANALOG DEVICES		2 Elizabeth Drive Chelmsford, MA 01824 PH: 1-800-ANALOGD	
Title		ADuCM3029 EZ-KIT Title			
Size C	Board No.	A0637-2014			Rev 1.1
Date	11/16/15	Sheet	1	of	9

A

B

C

D

1

1

2

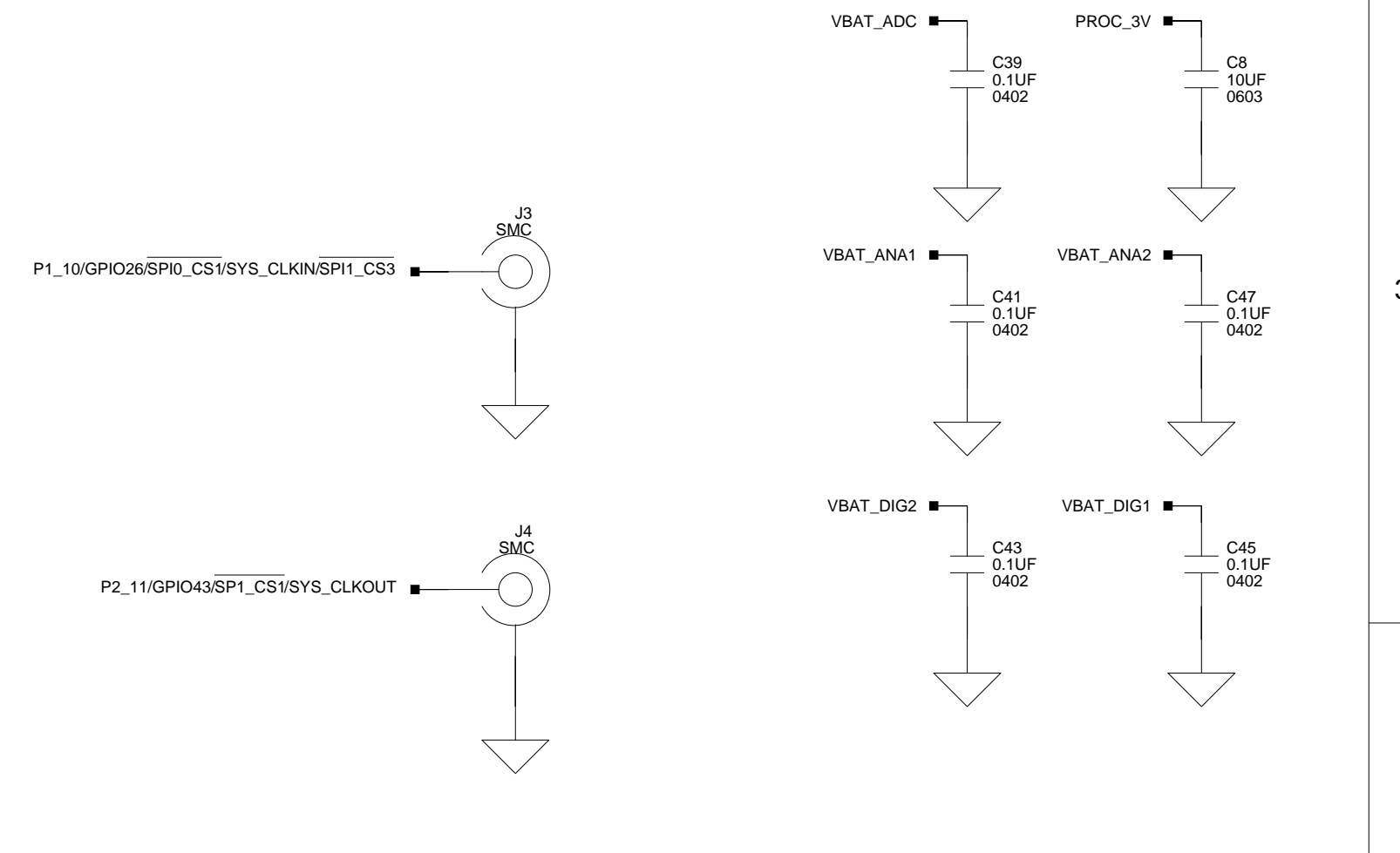
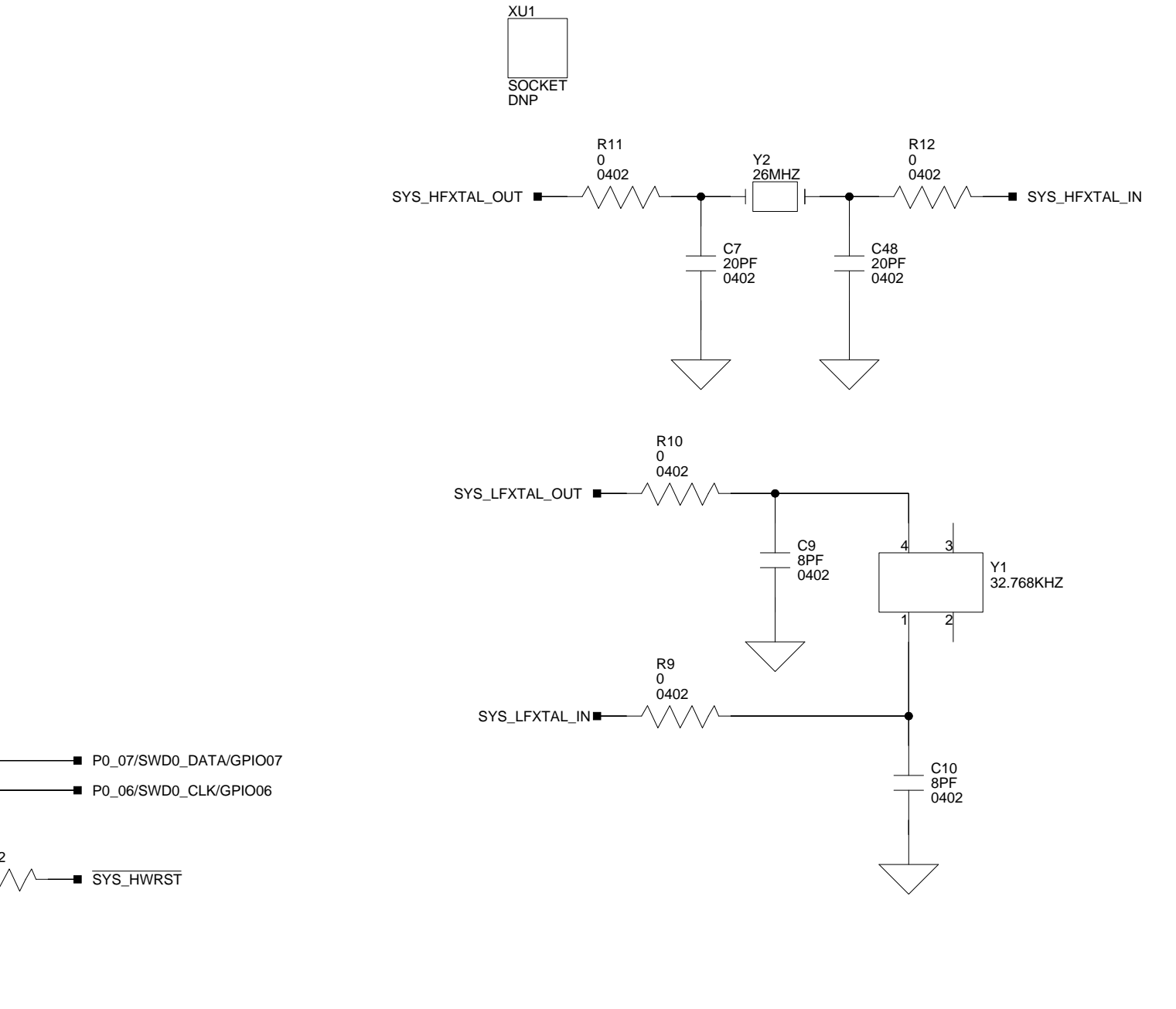
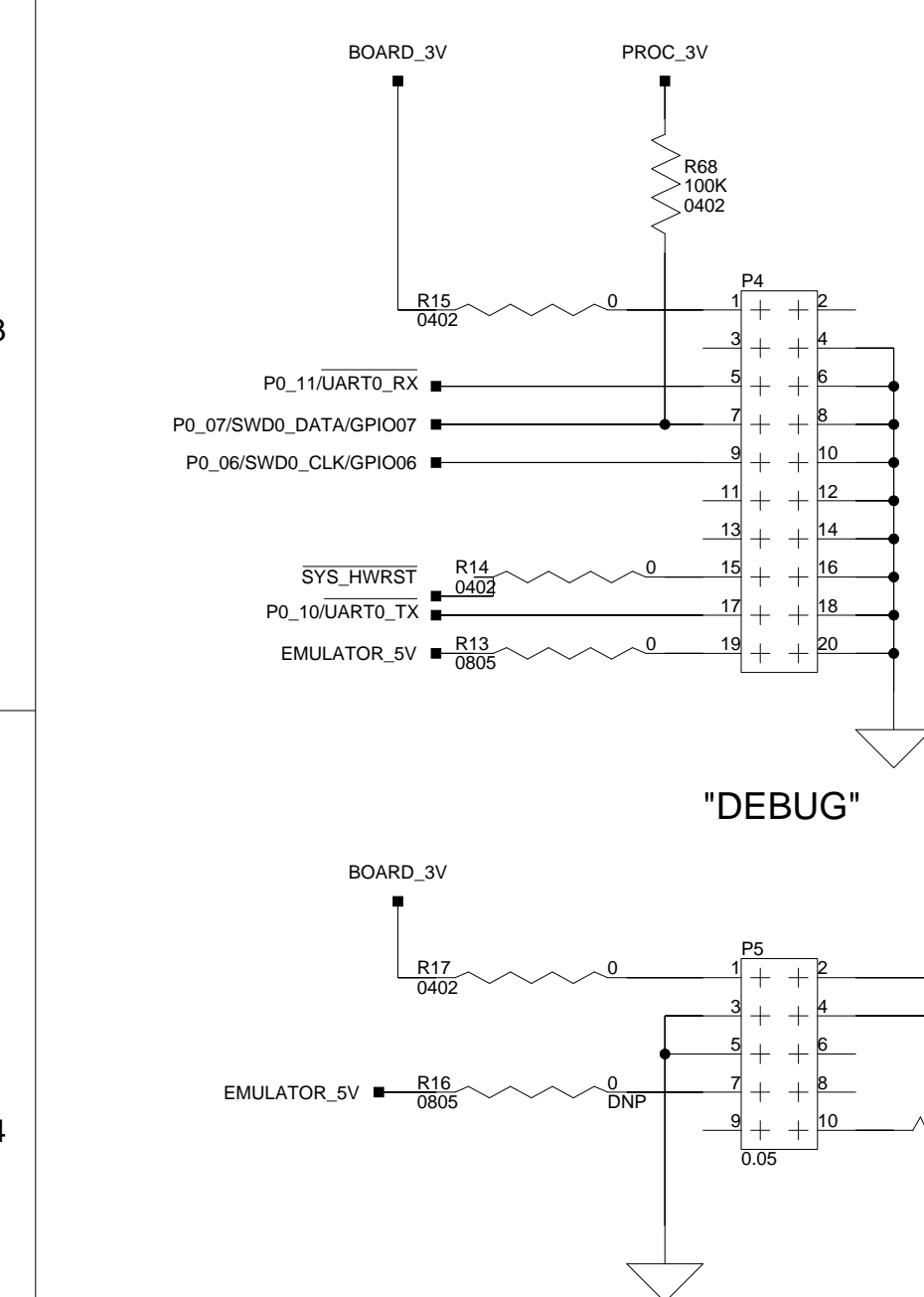
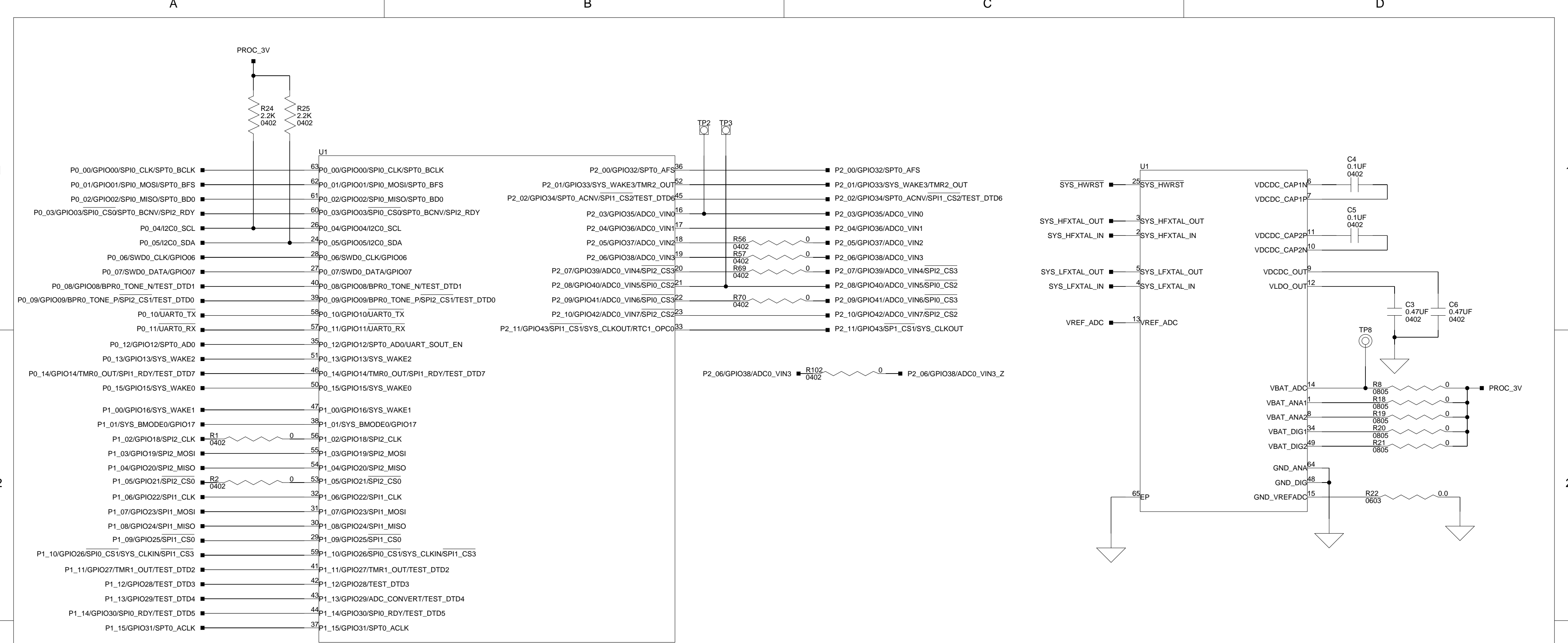
2

3

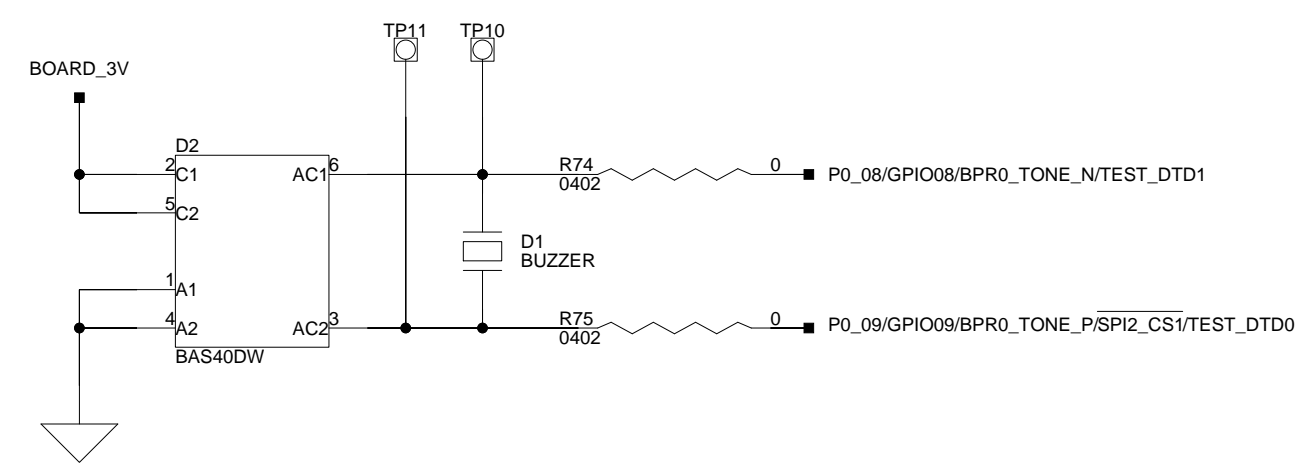
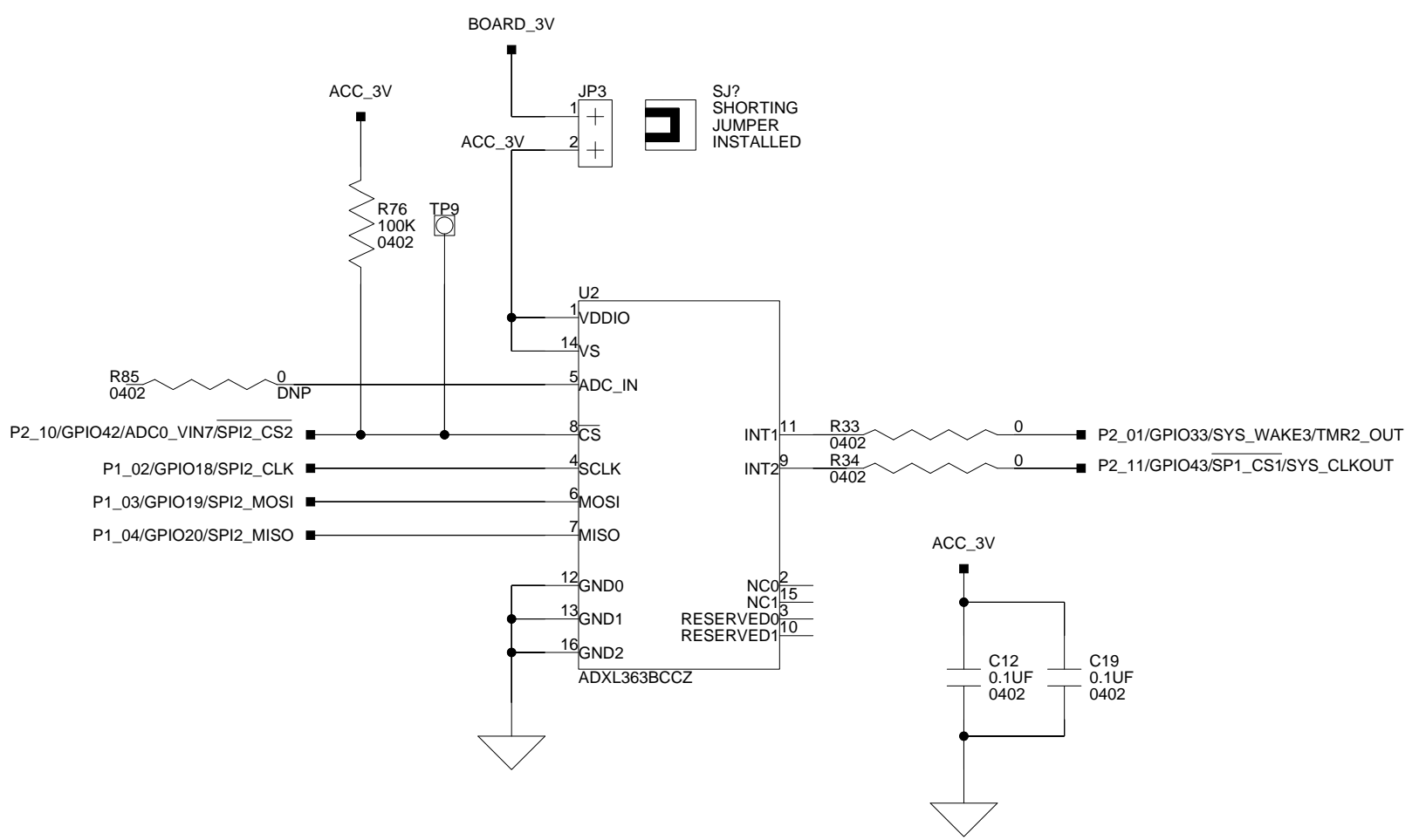
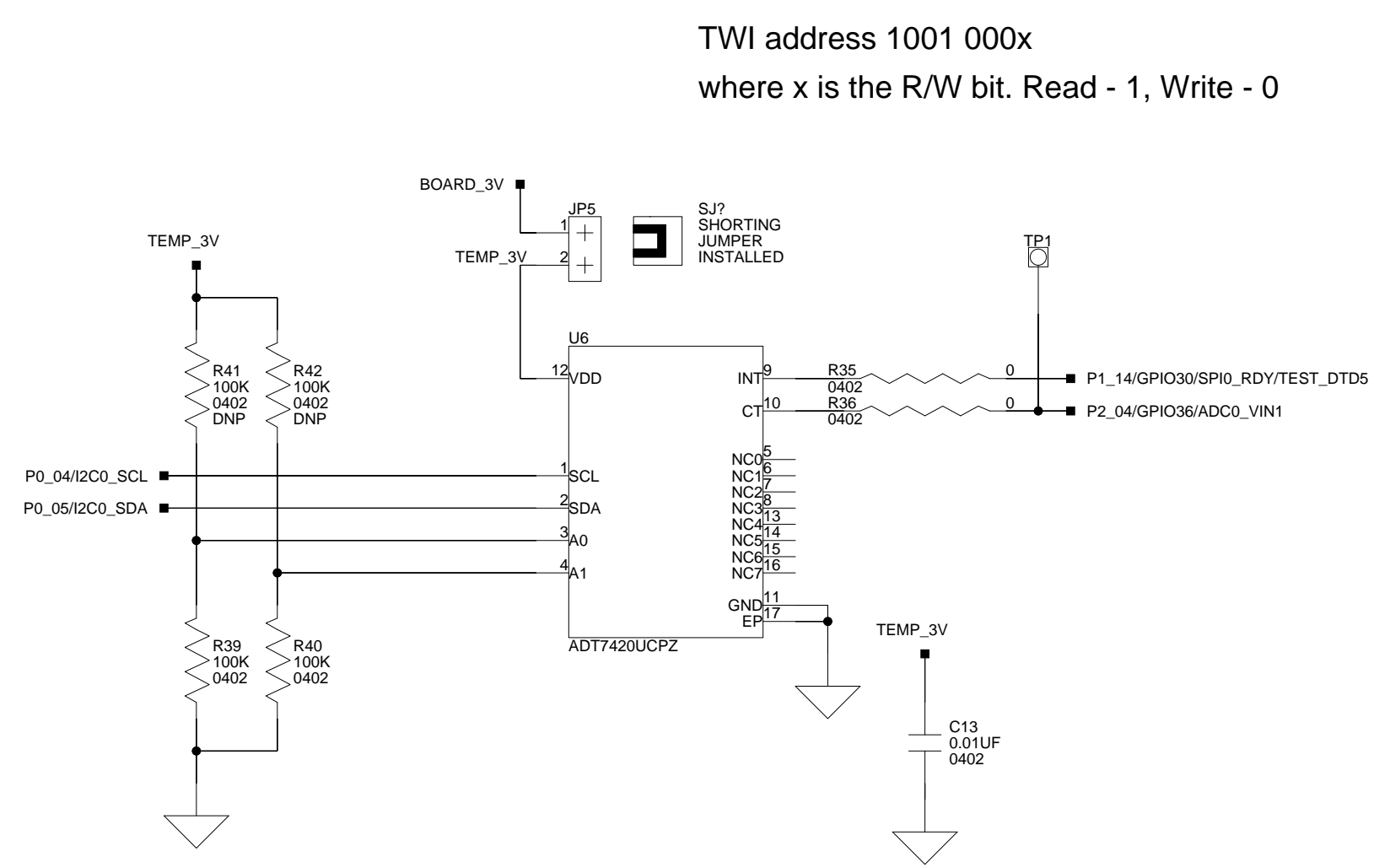
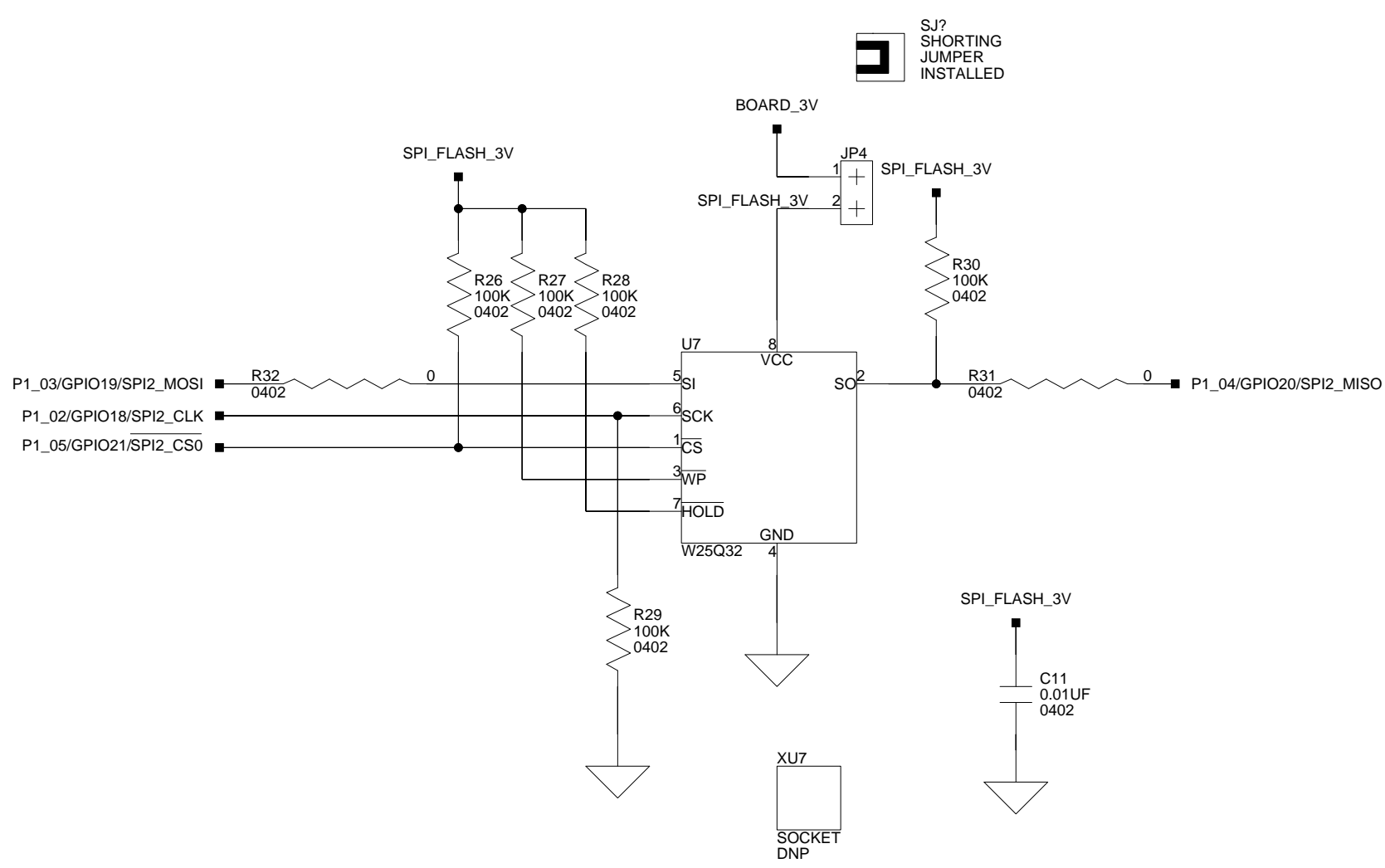
3

4

4

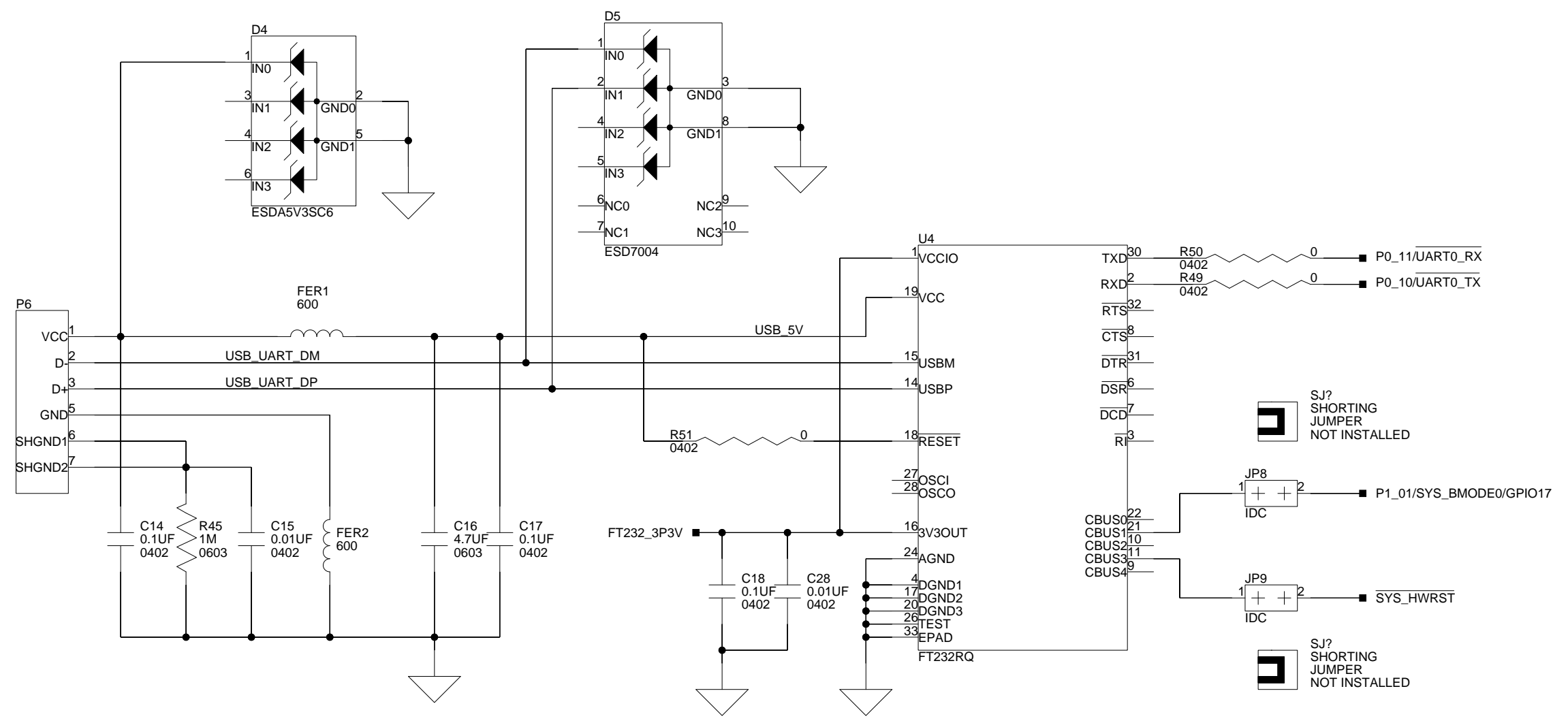



		2 Elizabeth Drive Chelmsford, MA 01824 PH: 1-800-ANALOGD	
		Title ADuCM3029 EZ-KIT Processor/Crystals/Debug	
Size C	Board No. A0637-2014	Rev 1.1	
Date 11/16/15	Sheet 2	of 9	

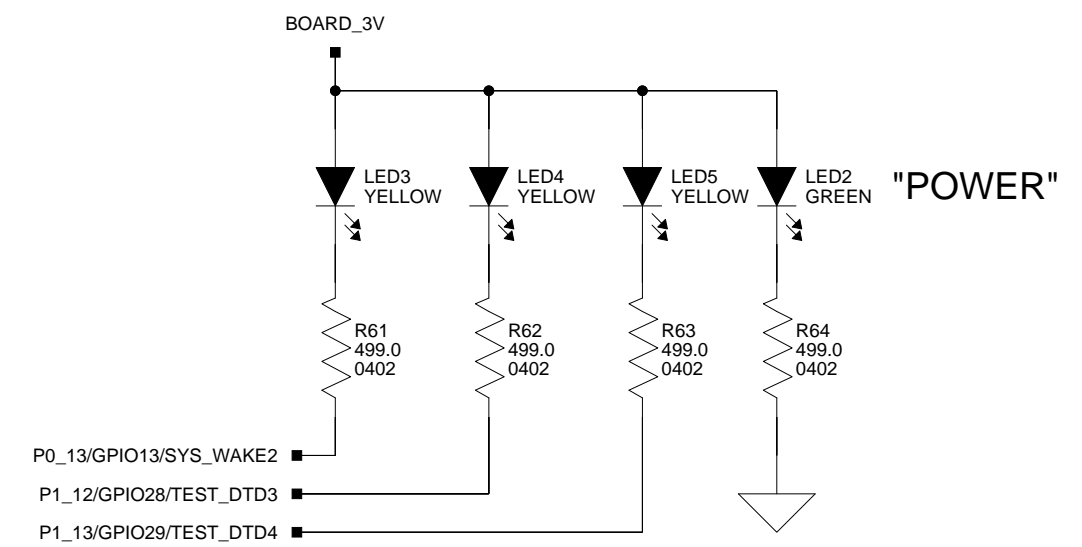
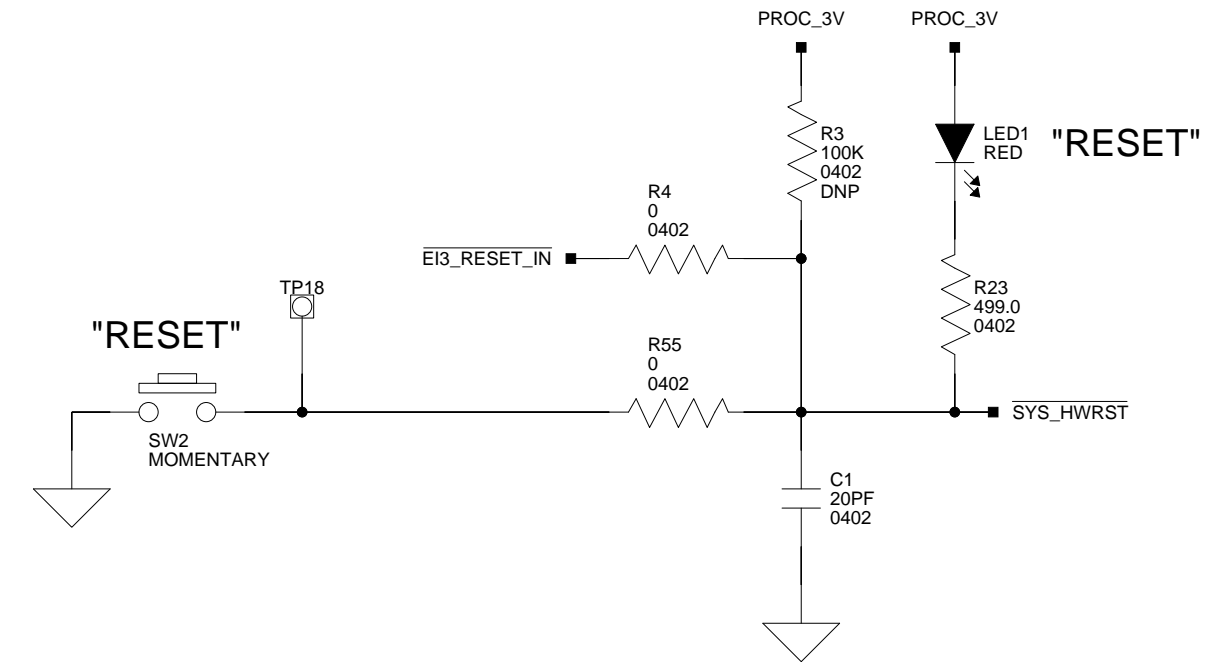
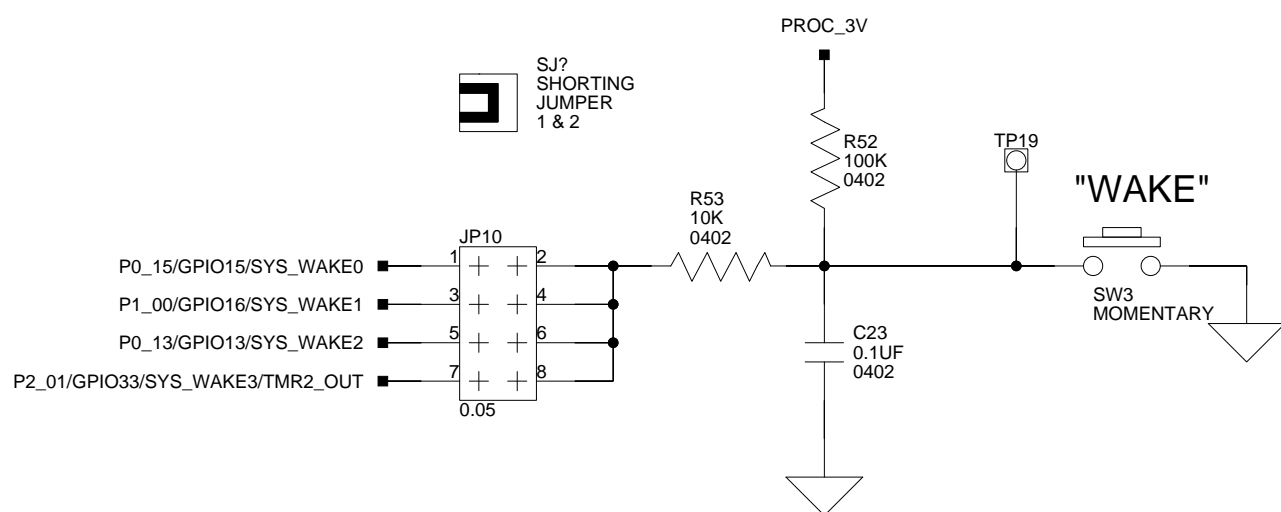
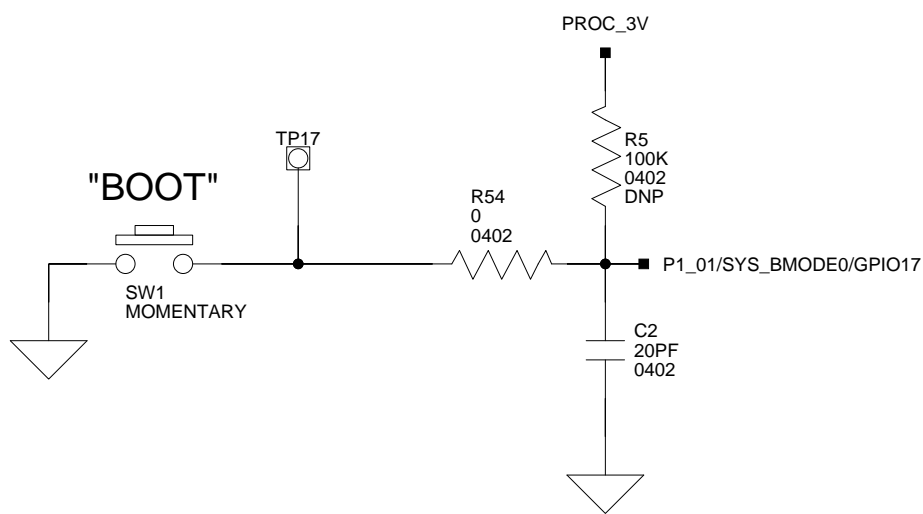
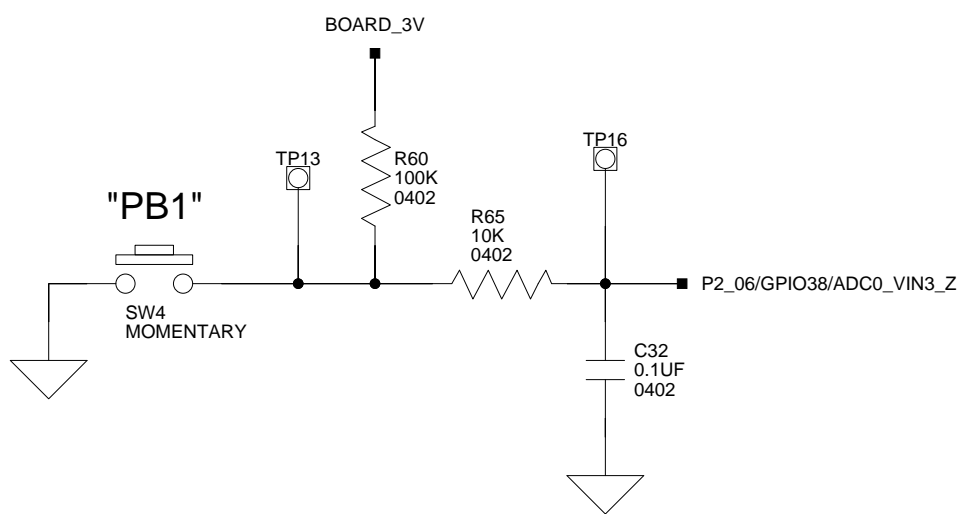
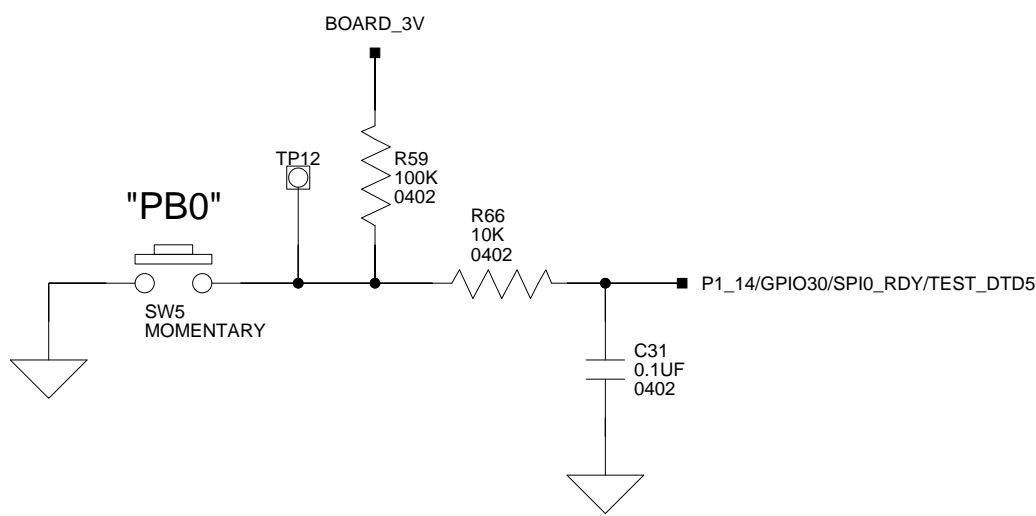


		2 Elizabeth Drive Chelmsford, MA 01824 PH: 1-800-ANALOGD	
		Title ADuCM3029 EZ-KIT SPI flash/Temp Sensor/Accelerometer/Buzzer	
Size C	Board No. A0637-2014	Rev 1.1	
Date 11/16/15	Sheet 3 of 9		

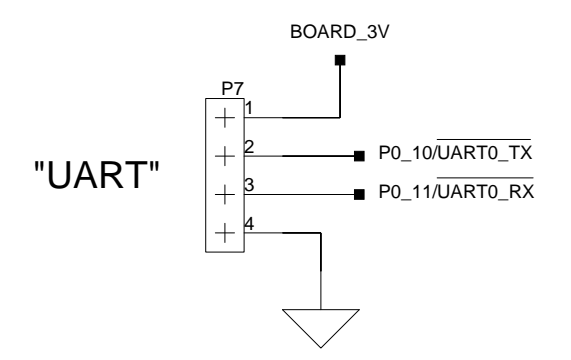
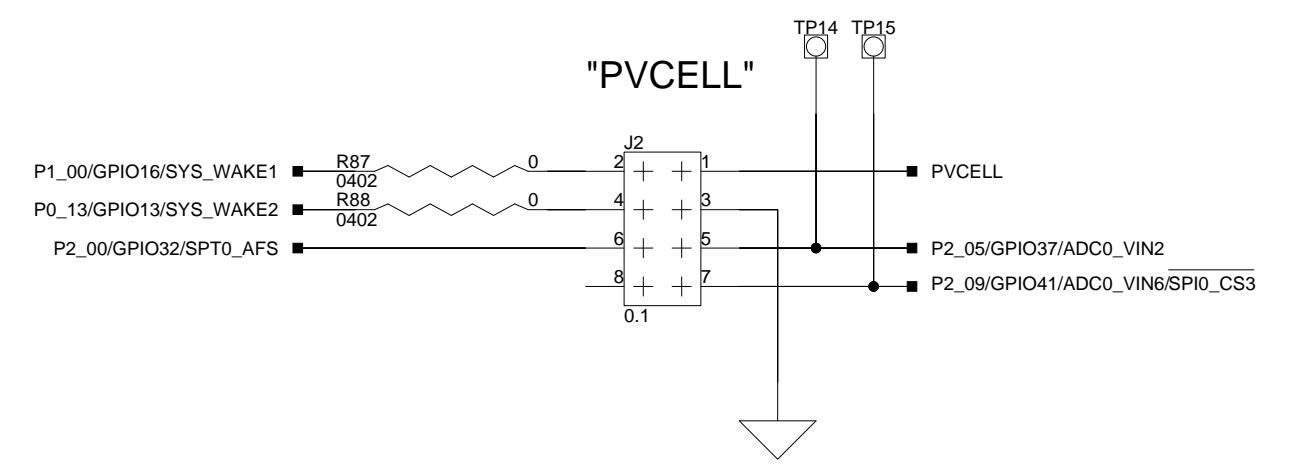
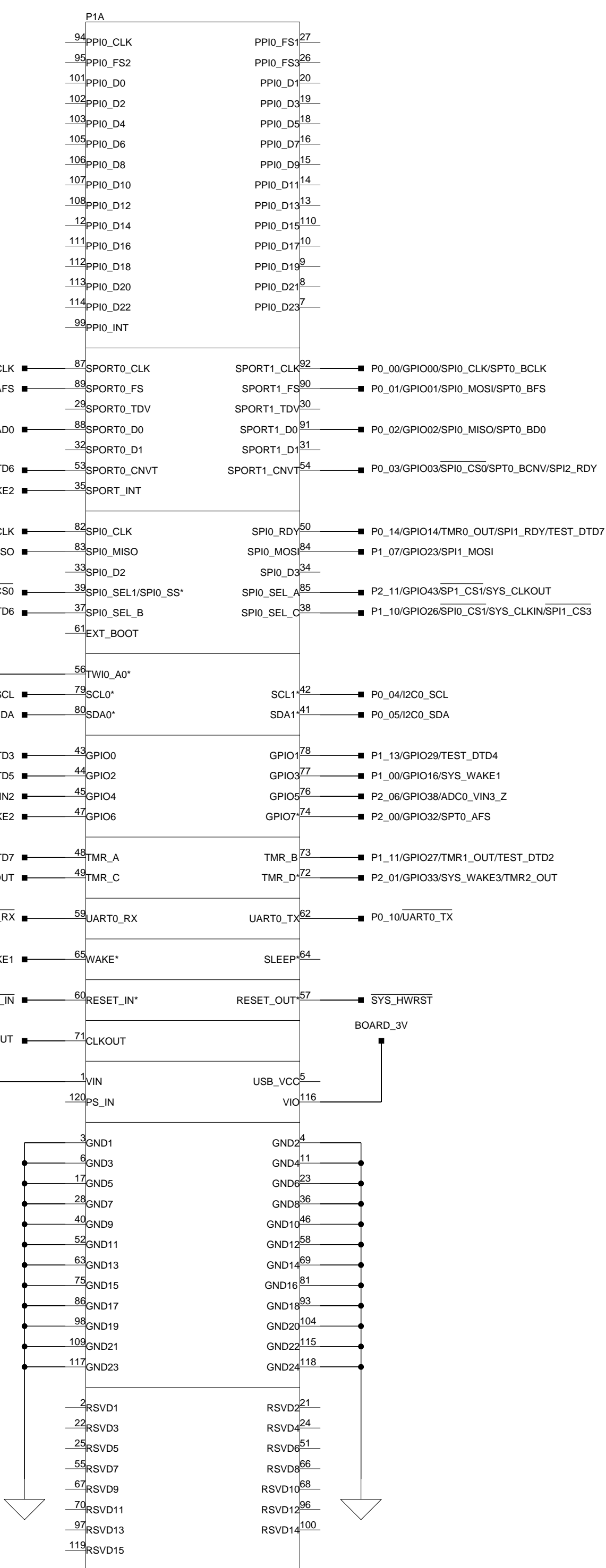
"USB to UART"




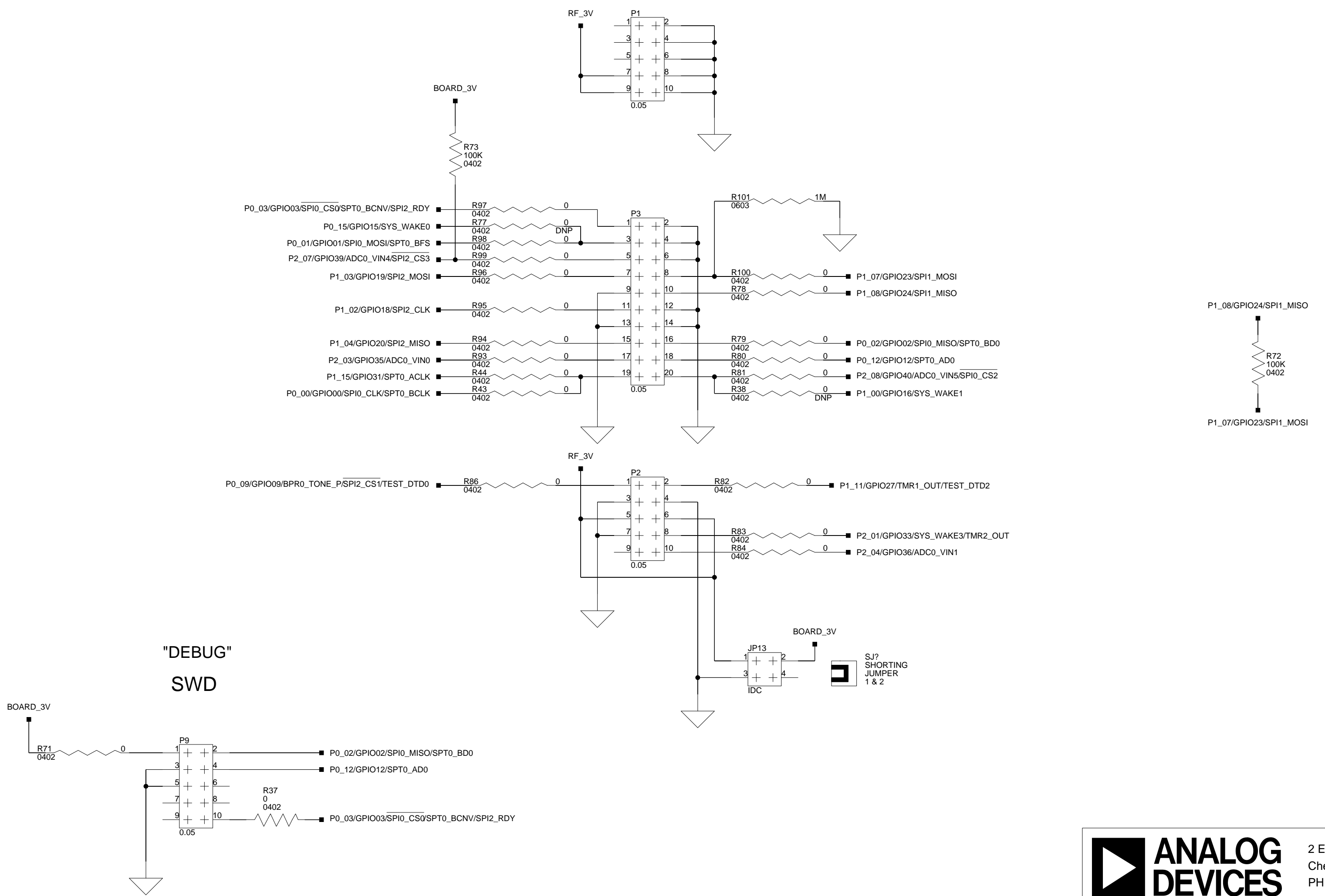
		2 Elizabeth Drive Chelmsford, MA 01824 PH: 1-800-ANALOGD	
Title ADuCM3029 EZ-KIT USB to UART			
Size C	Board No. A0637-2014	Rev 1.1	
Date 11/16/15	Sheet 4	of 9	




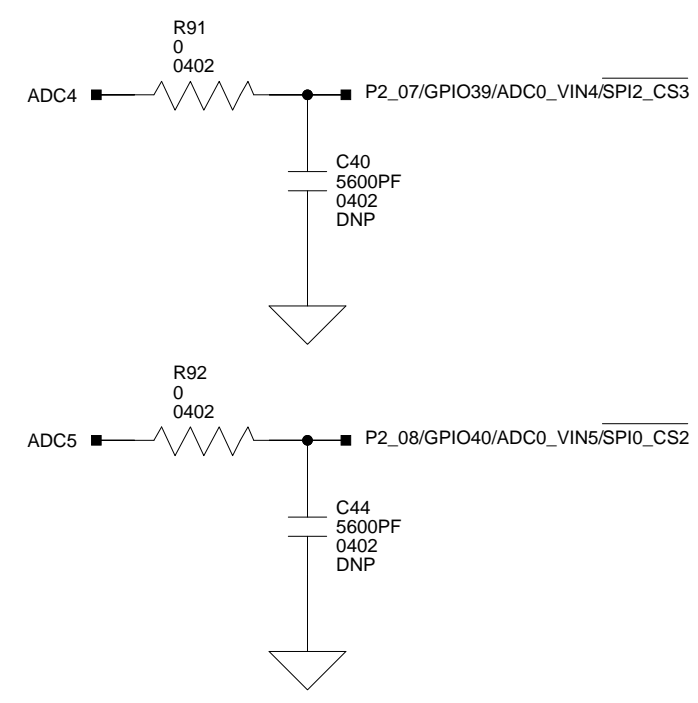
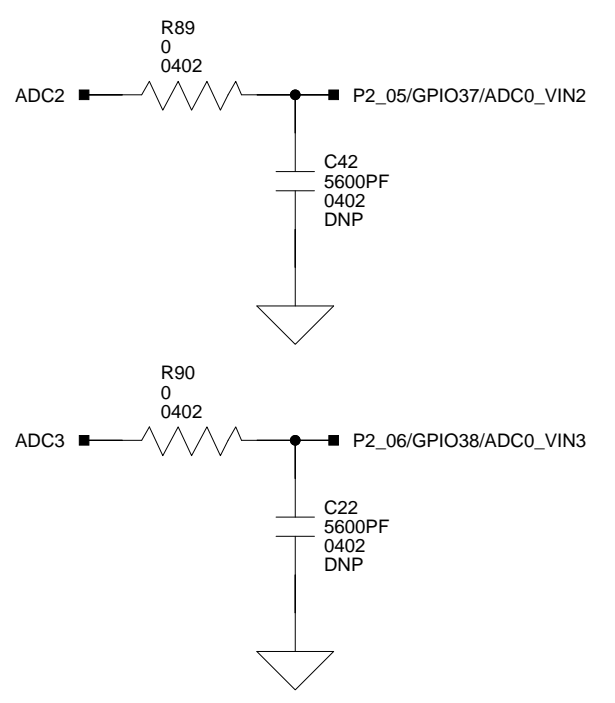
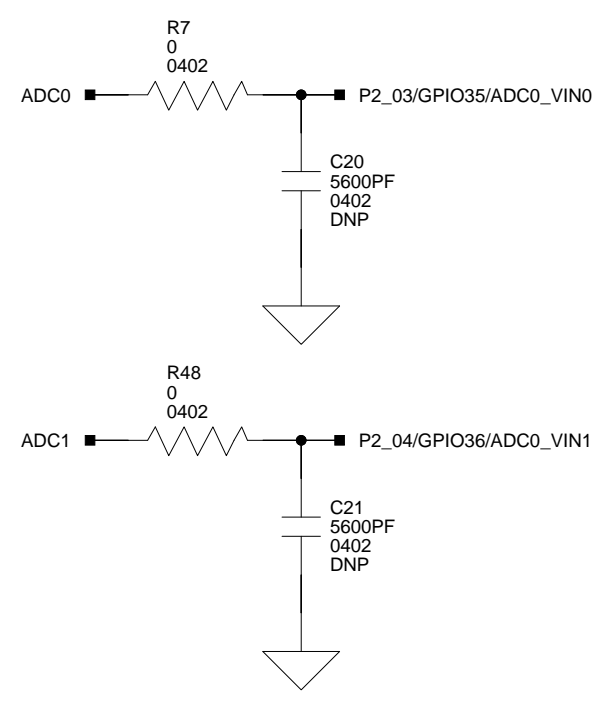
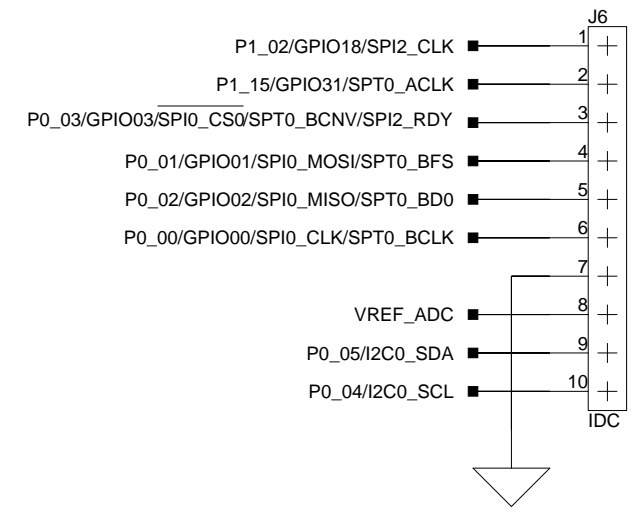
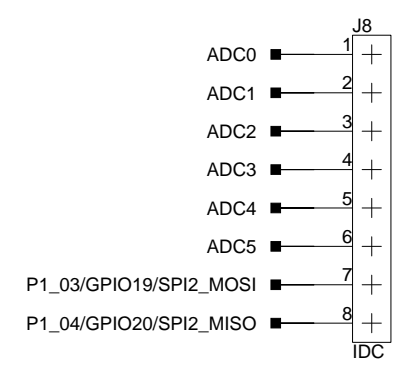
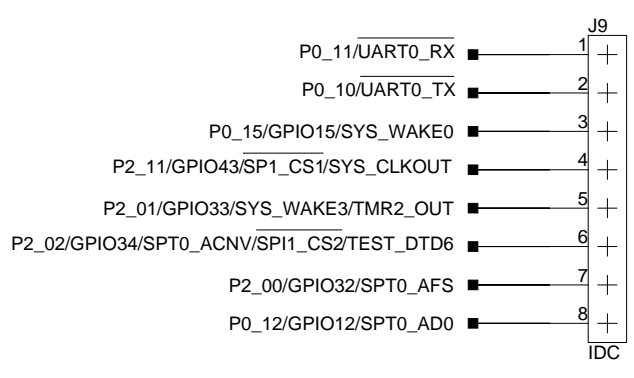
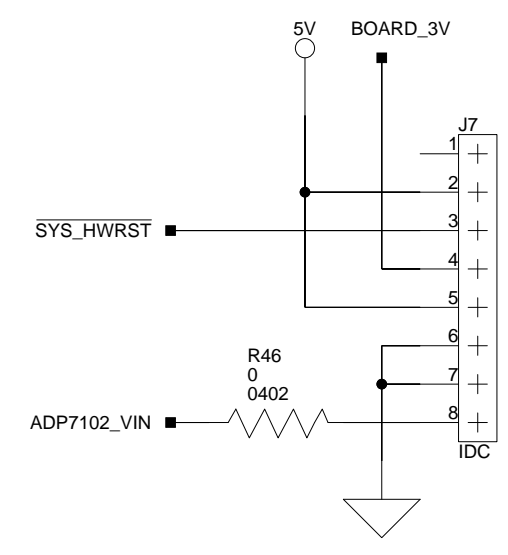
		2 Elizabeth Drive Chelmsford, MA 01824 PH: 1-800-ANALOGD	
		Title ADuCM3029 EZ-KIT Switches/LEDs	
Size C	Board No. A0637-2014	Rev 1.1	
Date 11/16/15	Sheet 5 of 9		




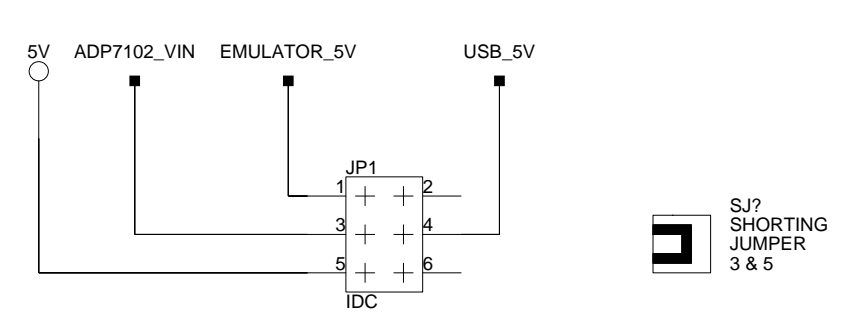
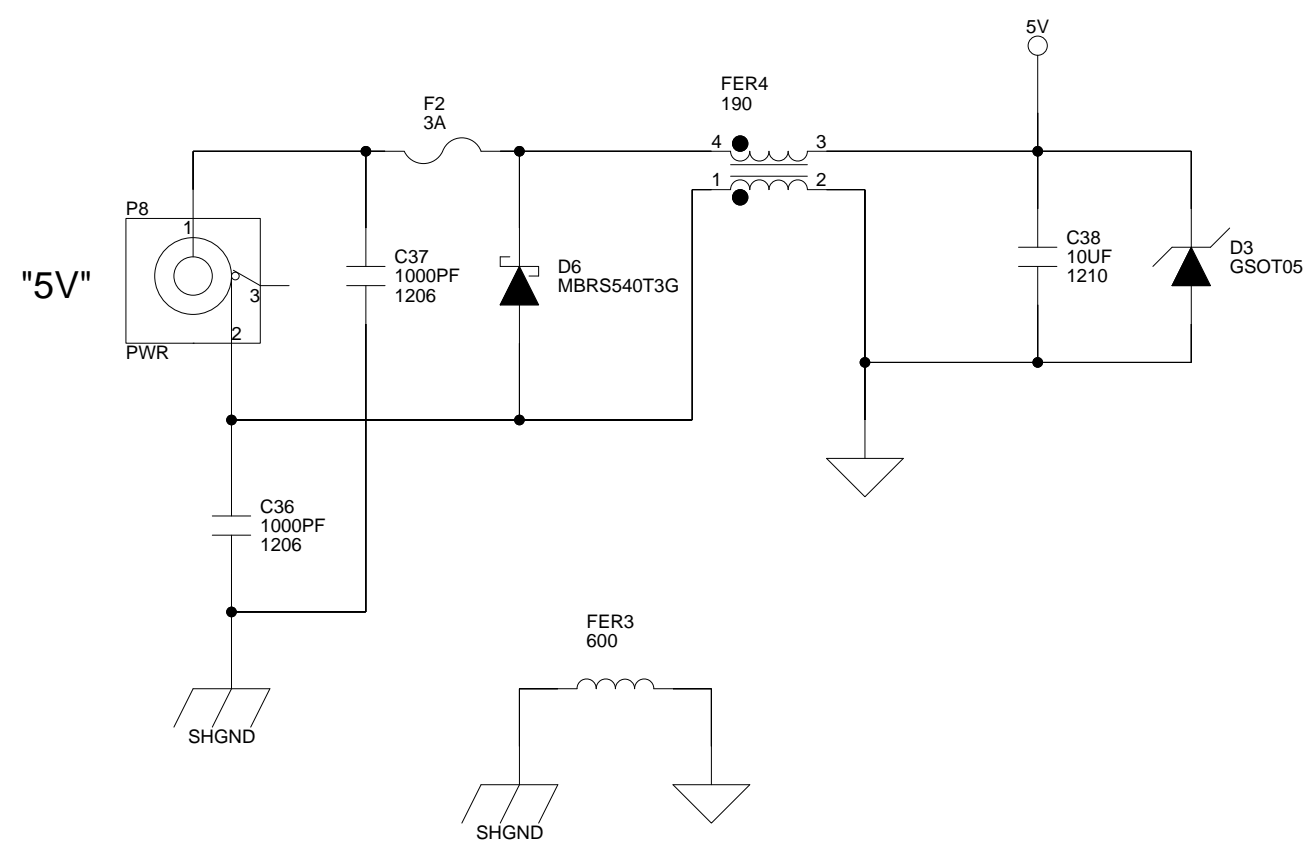
		2 Elizabeth Drive Chelmsford, MA 01824 PH: 1-800-ANALOGD	
		Title ADuCM3029 EZ-KIT E13/Misc Connectors	
Size C	Board No. A0637-2014	Rev 1.1	
Date 11/16/15	Sheet 6	of 9	Page 4



		2 Elizabeth Drive Chelmsford, MA 01824 PH: 1-800-ANALOGD	
		Title ADuCM3029 EZ-KIT ADF7xxx Wireless Transceiver Interface	
Size C	Board No. A0637-2014	Rev 1.1	
Date 11/16/15	Sheet 7 of 9		



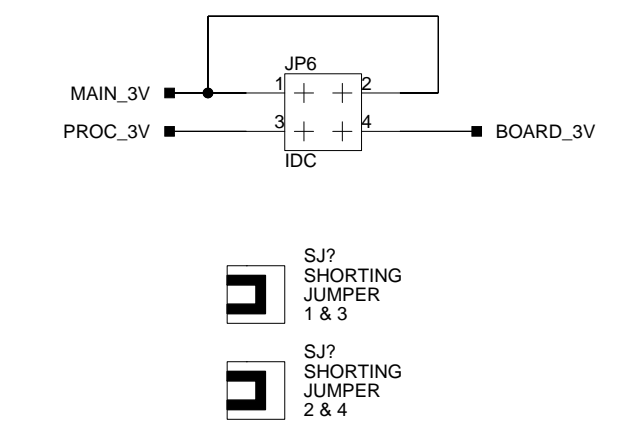
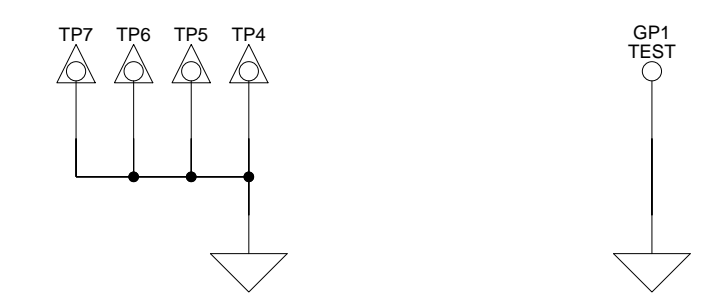
		2 Elizabeth Drive Chelmsford, MA 01824 PH: 1-800-ANALOGD	
		Title ADuCM3029 EZ-KIT Arduino Interface	
Size C	Board No. A0637-2014	Rev 1.1	
Date 11/16/15	Sheet 8	of 8	9



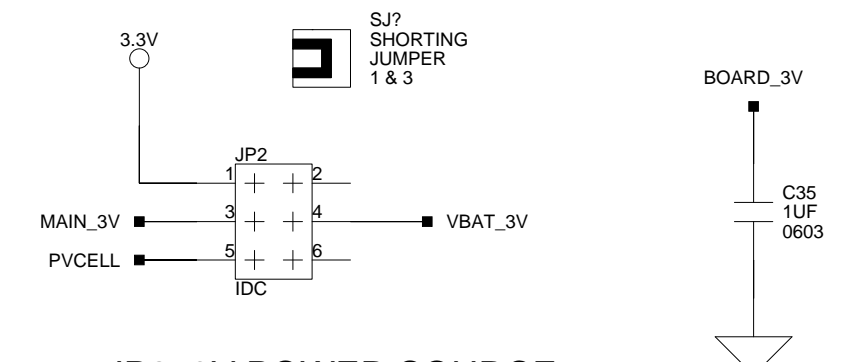
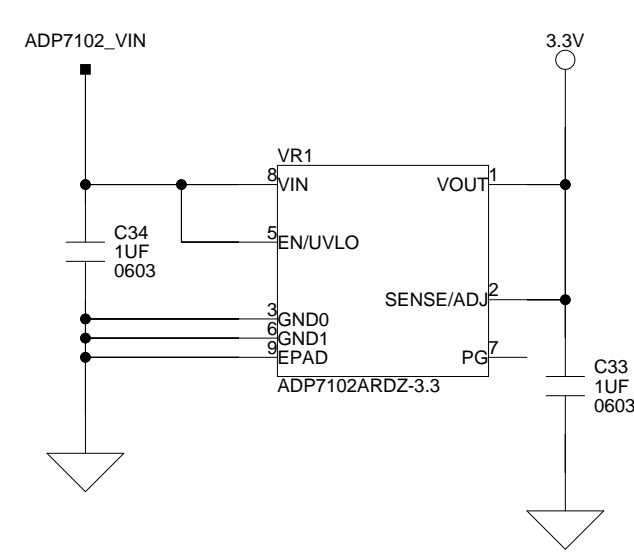
JP1: MAIN POWER

EMULATOR 5V	1 & 3
USB 5V	3 & 4
WALL 5V	3 & 5

DEFAULT



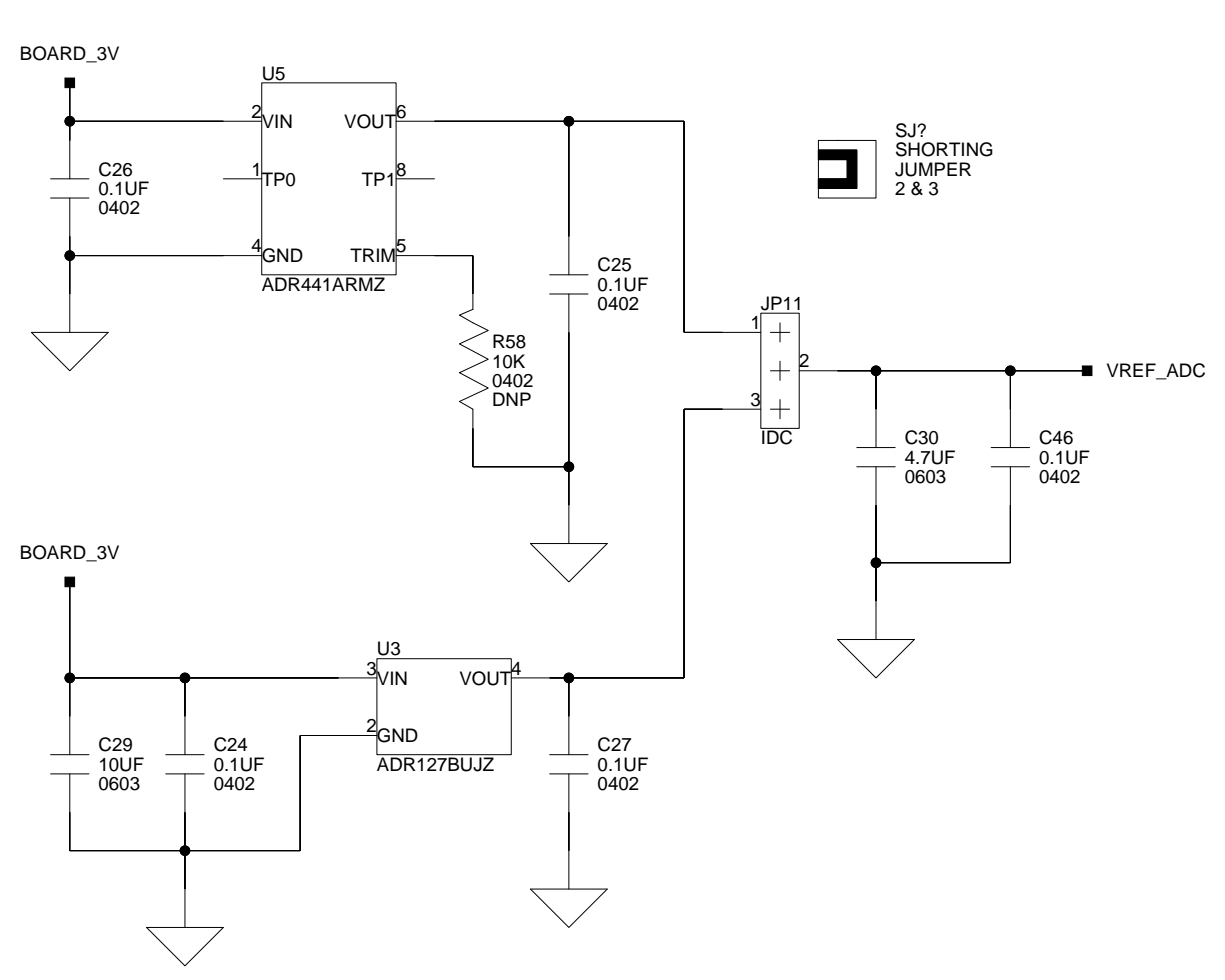
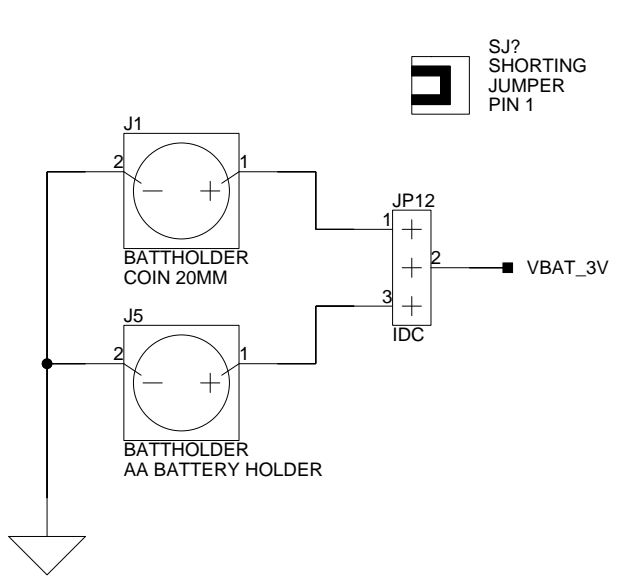
REMOVE JP6 TO MEASURE CURRENT DRAW OF PROCESSOR AND BOARD



JP2: 3V POWER SOURCE

VR1 3V	1 & 3
BATTERY 3V	3 & 4
PVCELL 3V	3 & 5

DEFAULT



2 Elizabeth Drive
Chelmsford, MA 01824
PH: 1-800-ANALOGD

Title			ADuCM3029 EZ-KIT Power		
Size	Board No.				Rev
C	A0637-2014				1.1
Date	11/16/15	Sheet	9	of	9