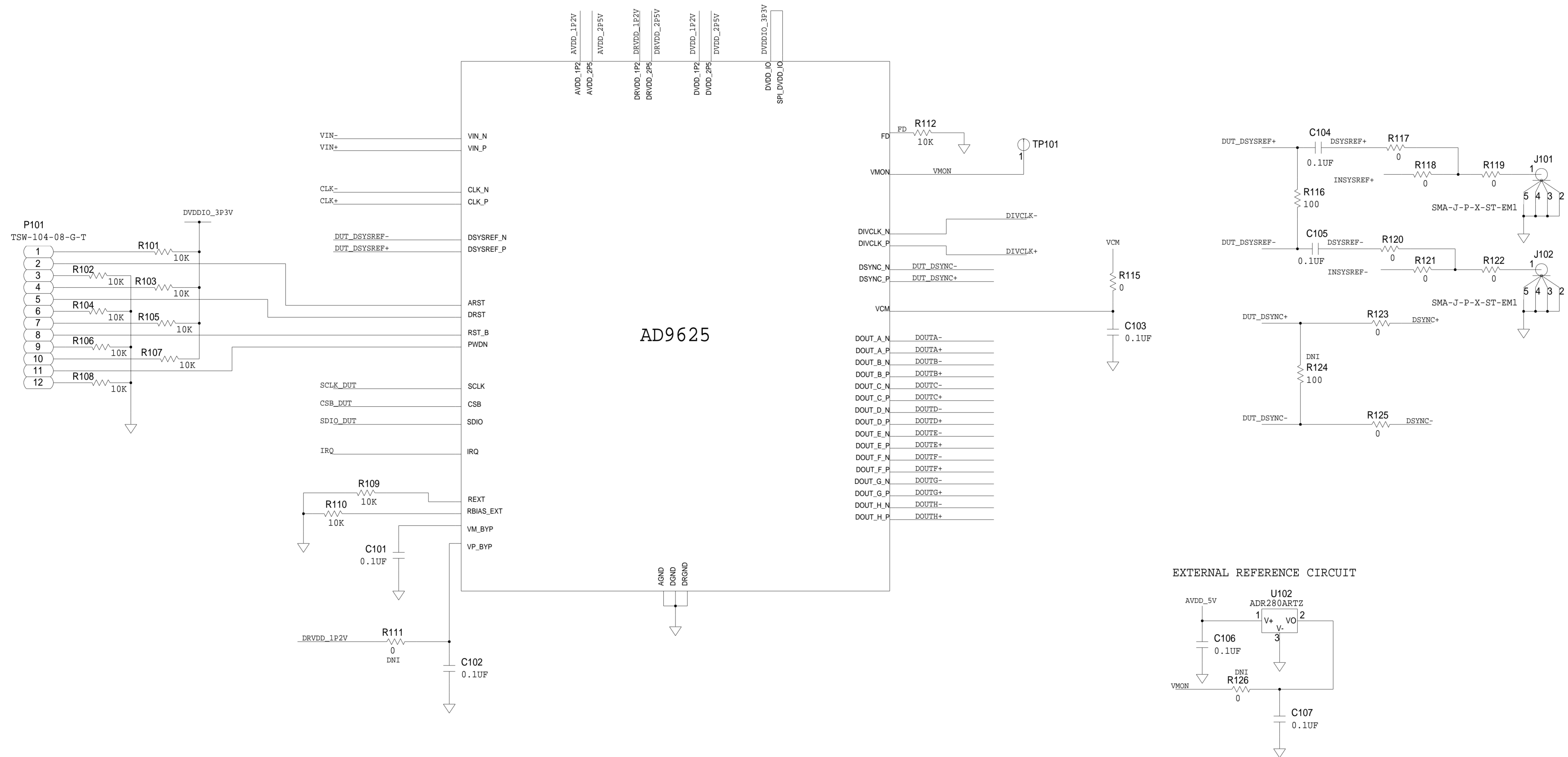
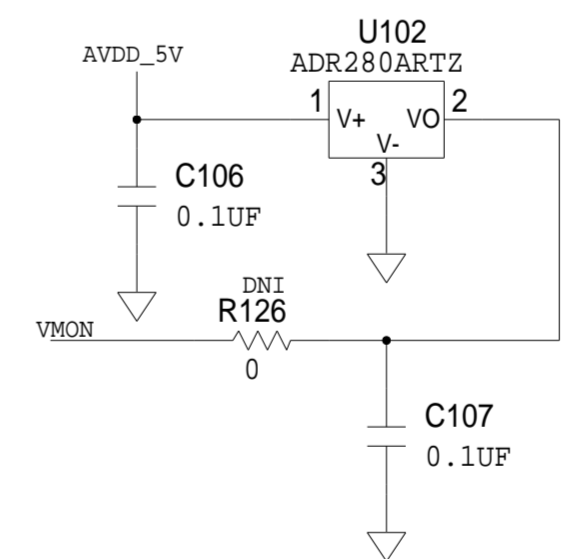


REVISIONS			
REV	DESCRIPTION	DATE	APPROVED

DUT CONNECTIONS



EXTERNAL REFERENCE CIRCUIT

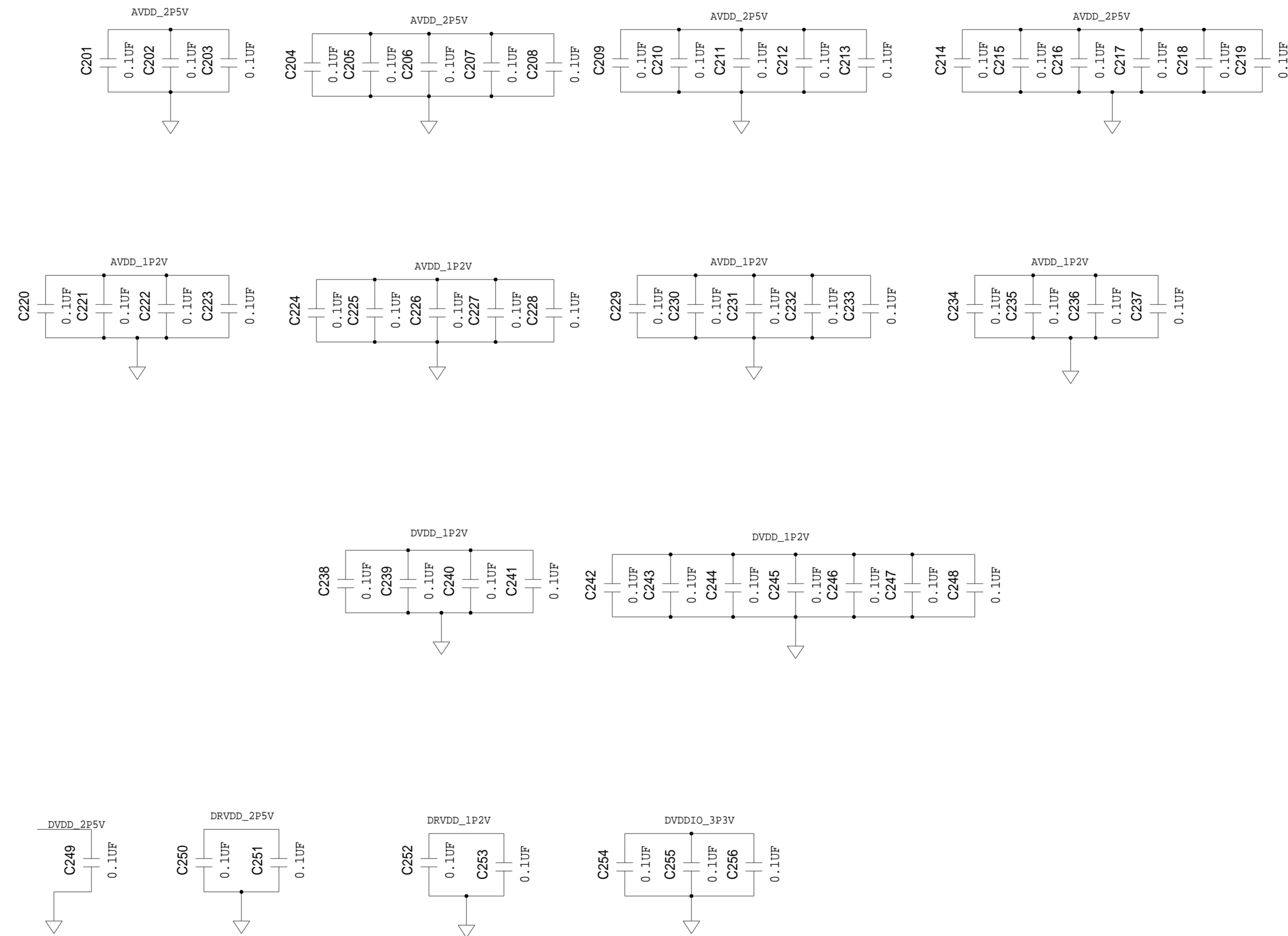


	SCHEMATIC		
	CUSTOMER EVALUATION BOARD AD9625		
DESIGN VIEW -	DRAWING NO. 9625CE04	REV C1	
PTD ENGINEER R. REEDER	SIZE D	SCALE NONE	SHEET 1 OF 9

8 7 6 5 4 3 2 1

REVISIONS			
REV	DESCRIPTION	DATE	APPROVED

DUT DECOUPLING

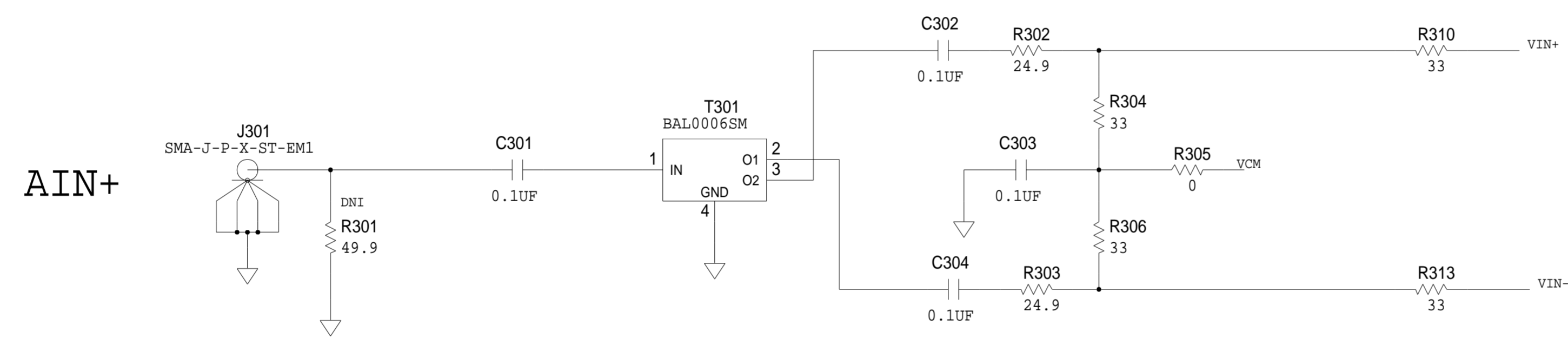


	SCHEMATIC		
	CUSTOMER EVALUATION BOARD AD9625		
	DESIGN VIEW -	DRAWING NO. 9625CE04	REV C1
	PTD ENGINEER R. REEDER	SIZE D	SCALE NONE
		SHEET 2 OF 9	

8 7 6 5 4 3 2 1

ANALOG FRONT END OPTIONS

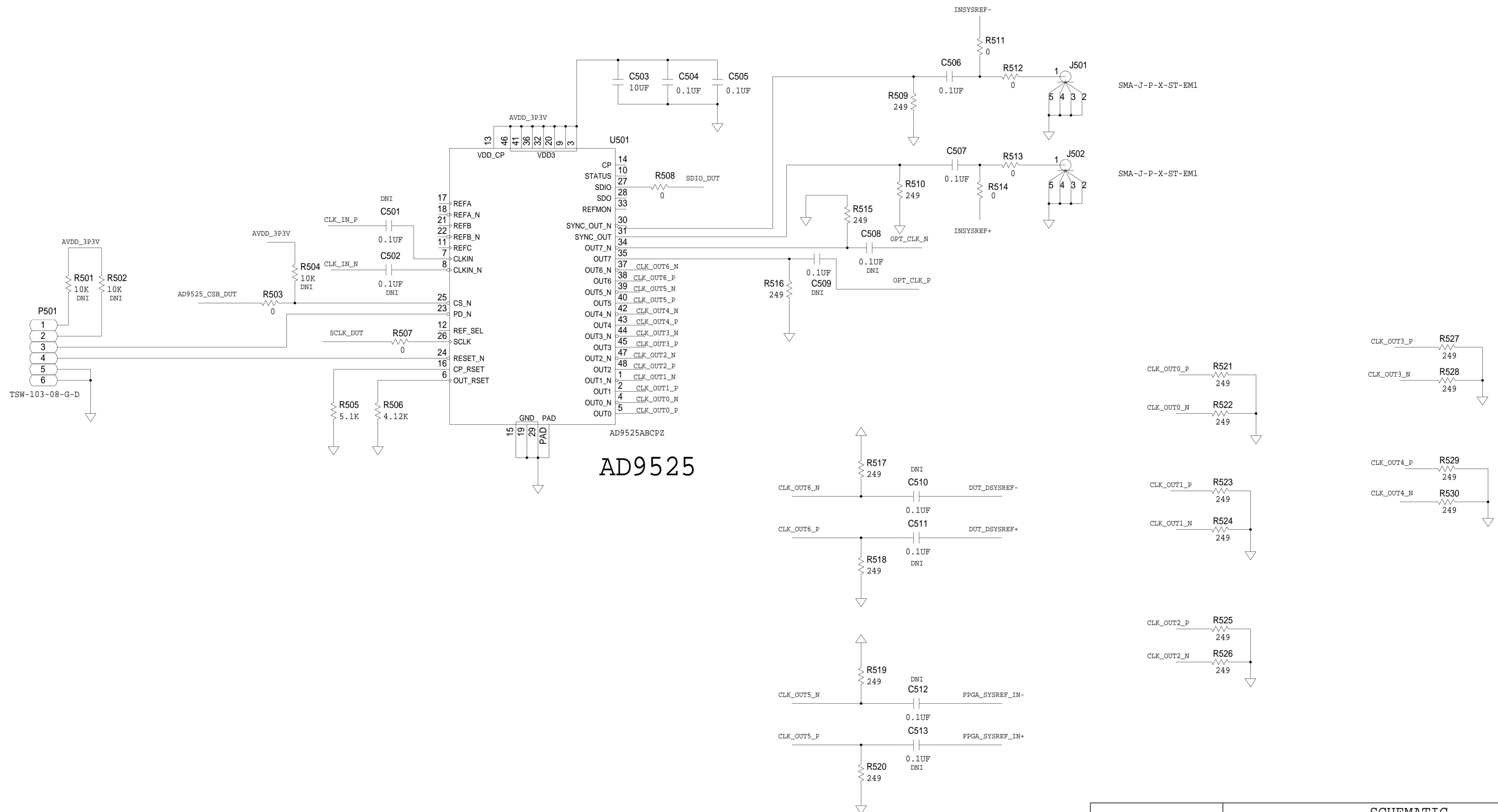
REVISIONS			
REV	DESCRIPTION	DATE	APPROVED



	SCHEMATIC		
	CUSTOMER EVALUATION BOARD		
	AD9625		
	-		
DESIGN VIEW	DRAWING NO.	REV	
-	9625CE04	C1	
PTD ENGINEER	SIZE	SCALE	
R. REEDER	D	NONE	
SHEET 3 OF 9			

OPTIONAL CLOCK CIRCUIT

REVISIONS			
REV	DESCRIPTION	DATE	APPROVED

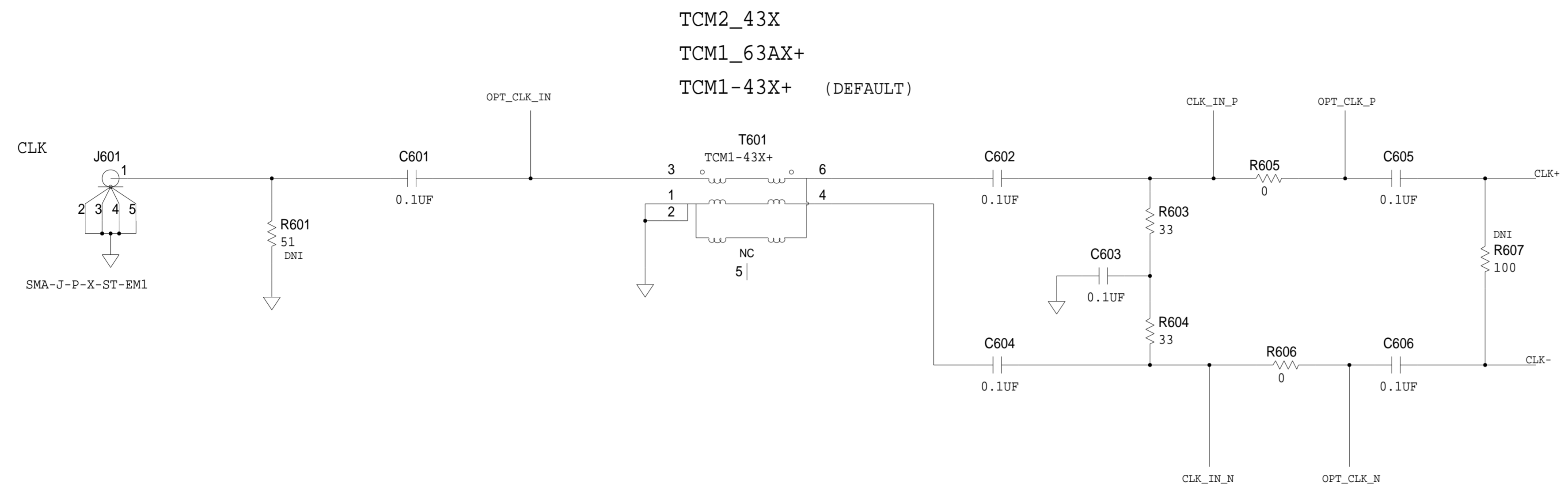


	SCHMATIC		
	CUSTOMER EVALUATION BOARD AD9625		
	DESIGN VIEW -	DRAWING NO. 9625CE04	REV C1
	PTD ENGINEER R. REEDER	SIZE D	SCALE NONE
		SHEET 4 OF 9	

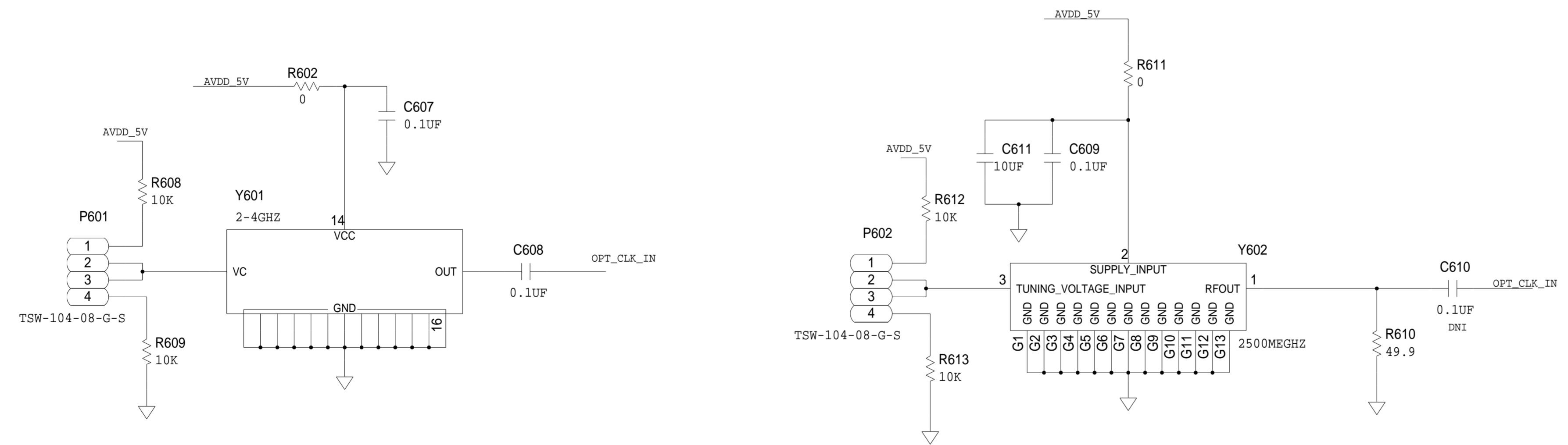
REVISIONS			
REV	DESCRIPTION	DATE	APPROVED

CLOCK CIRCUITRY

OPTIONAL TRANSFORMERS



OPTIONAL OSCILLATOR



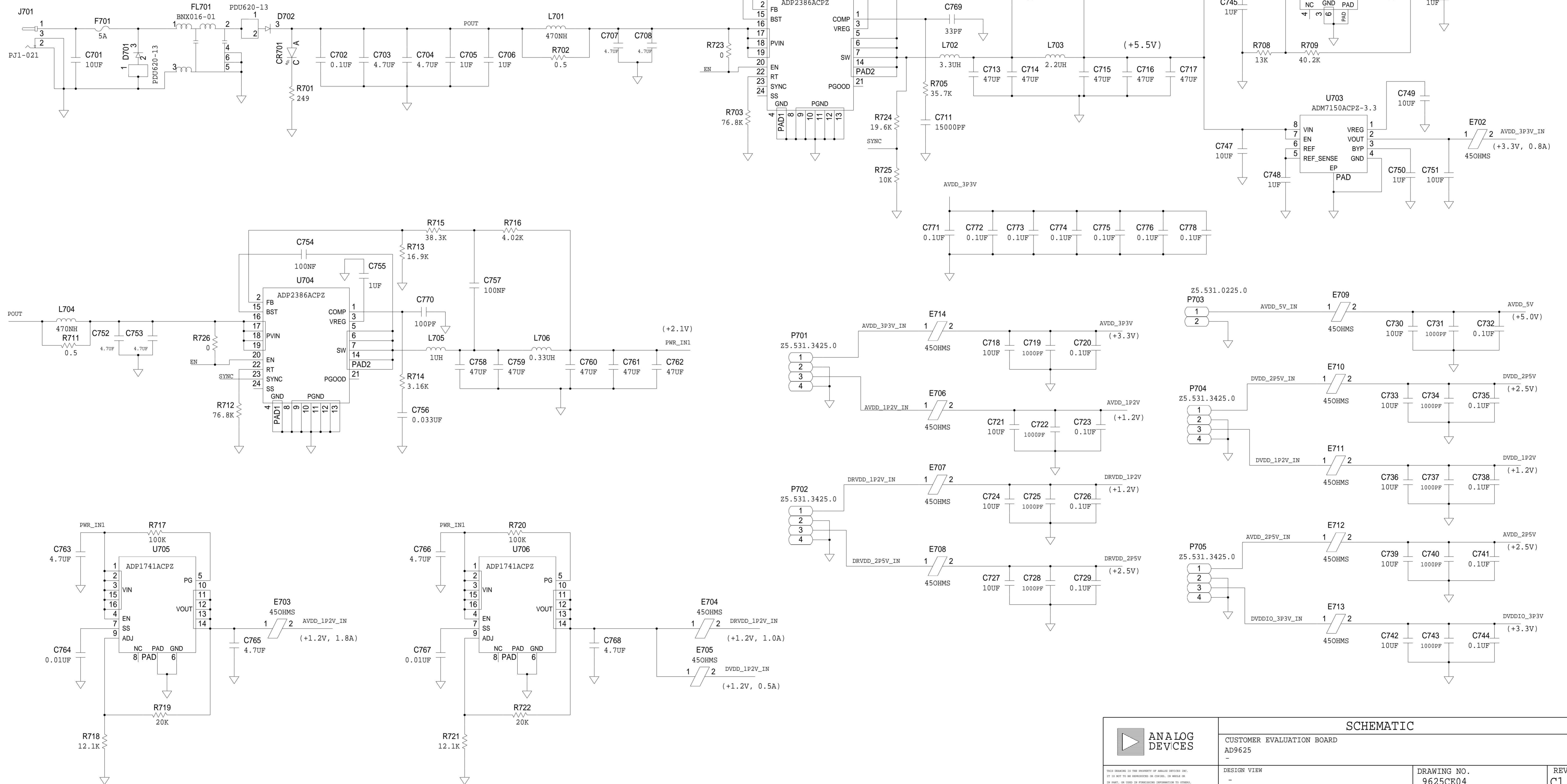
	SCHEMATIC		
	CUSTOMER EVALUATION BOARD AD9625		
	DESIGN VIEW -	DRAWING NO. 9625CE04	REV C1
	PTD ENGINEER R. REEDER	SIZE D	SCALE NONE
		SHEET 5 OF 9	

POWER SUPPLIES

OPTIONAL POWER CONNECTIONS

REVISIONS			
REV	DESCRIPTION	DATE	APPROVED

USE +12VDC, 3A WALLWART

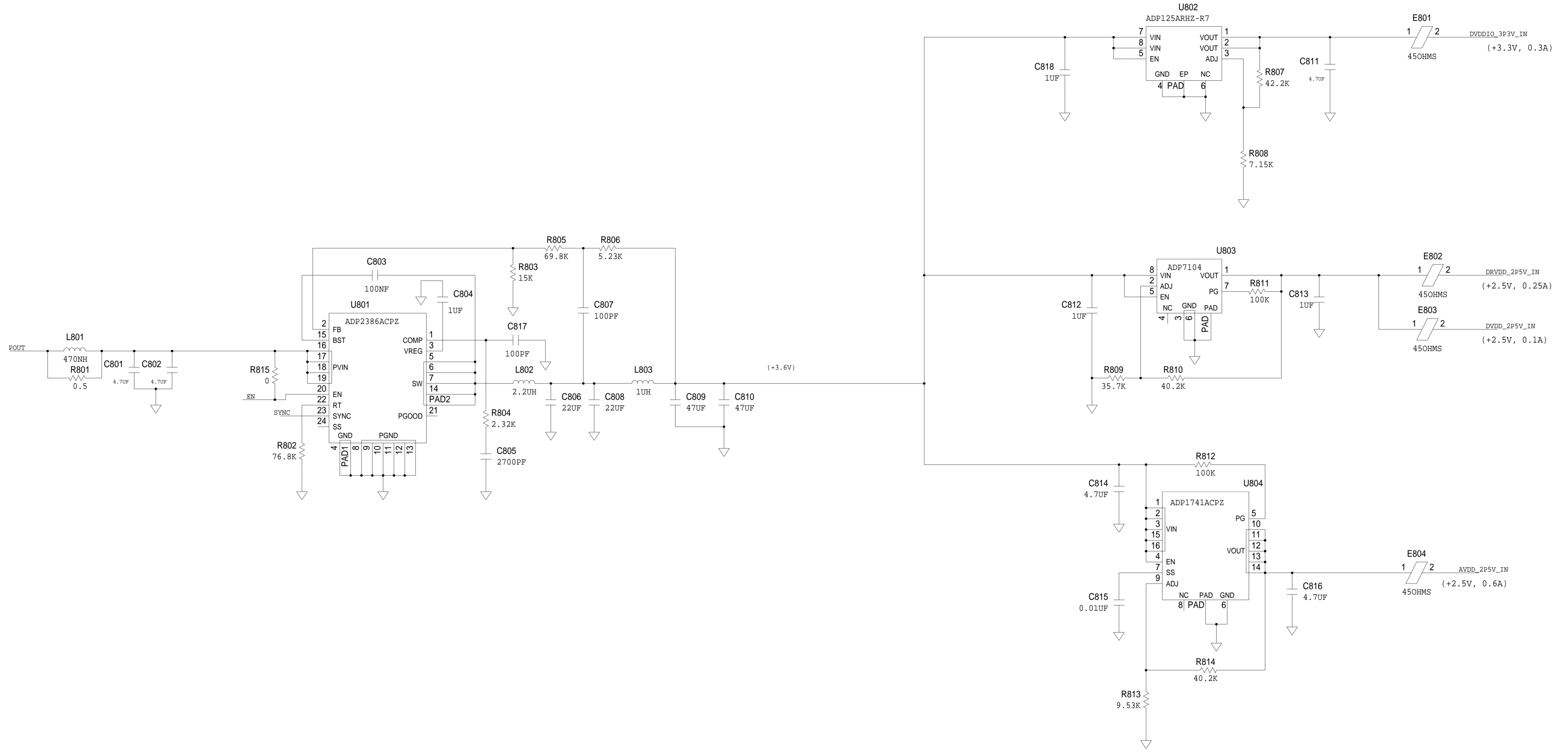


SCHEMATIC			
		CUSTOMER EVALUATION BOARD AD9625	
DESIGN VIEW -	DRAWING NO. 9625CE04	REV C1	
PTD ENGINEER R. REEDER	SCALE NONE	SHEET 6 OF 9	

THIS DRAWING IS THE PROPERTY OF ANALOG DEVICES INC. IT IS NOT TO BE REPRODUCED OR COPIED, IN WHOLE OR IN PART, OR USED IN ANY MANNER WITHOUT THE WRITTEN PERMISSION OF ANALOG DEVICES. THE EQUIPMENT DESIGN HEREON MAY BE PROTECTED BY PATENTS OWNED OR CONTROLLED BY ANALOG DEVICES.

POWER SUPPLIES (CONT)

REVISIONS			
REV	DESCRIPTION	DATE	APPROVED



	SCHMATIC		
	CUSTOMER EVALUATION BOARD		
	AD9625		
	-		
DESIGN VIEW	DRAWING NO.	REV	
-	9625CE04	C1	
PTD ENGINEER	SIZE	SCALE	
R. REEDER	D	NONE	
	SHEET	OF	
	7	9	

