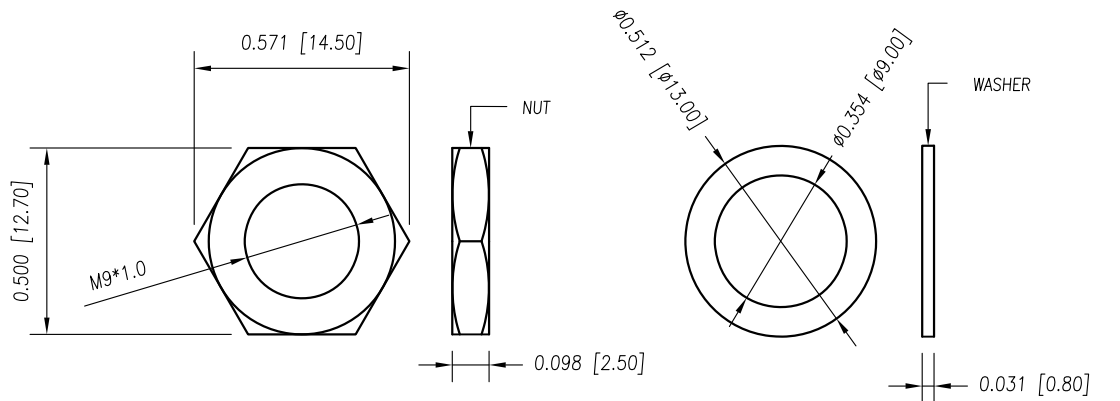


DESCRIPTION: M8 MALE - PANEL MOUNT - 3 POS.

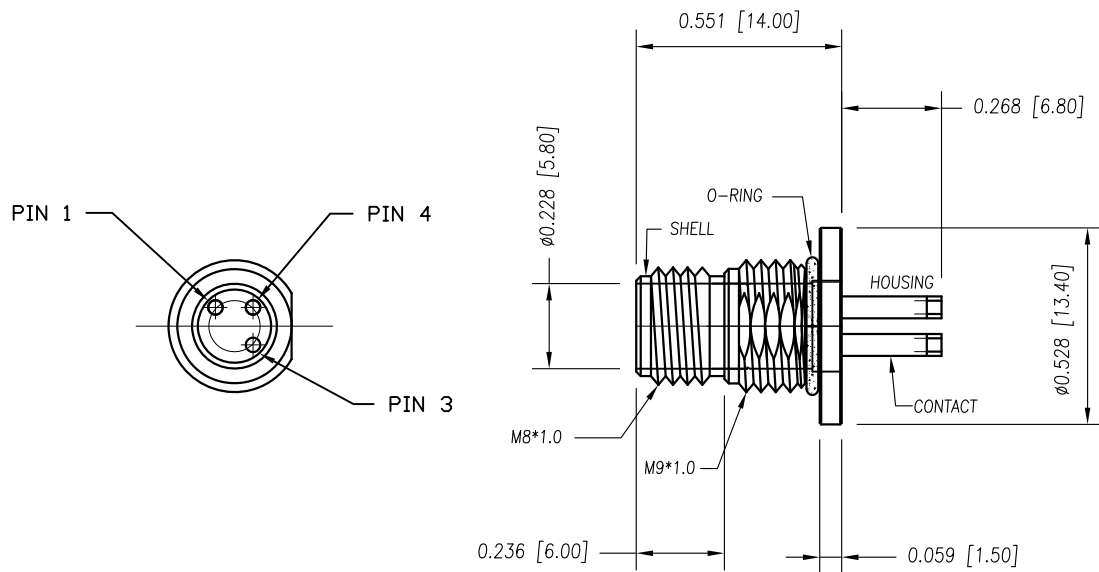


NOTE:
MATERIAL
 HOUSING: PBT UL94V-0, BLACK
 CONTACT: BRASS
 SHELL: BRASS
 WASHER: BRASS
 NUT: BRASS
 O-RING: EPDM, BLACK

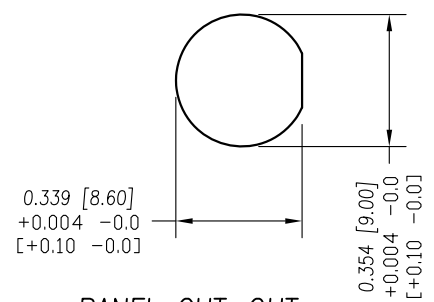
FINISH
 CONTACT: GOLD PLATED
 OVER 50 μ" NICKEL
 SHELL: NICKEL (60 μ" - 100 μ") OVER ALL
 WASHER: NICKEL (60 μ" - 100 μ") OVER ALL
 NUT: NICKEL (60 μ" - 100 μ") OVER ALL

ELECTRICAL
 RATED CURRENT: 3A
 RATED VOLTAGE: 60V
 INSULATION RESISTANCE: 100 MΩhms MIN.
 CONTACT RESISTANCE: 10 mΩhms MAX.
 WATER PROOF: IP67

ENVIRONMENT
 OPERATION TEMPERATURE: -40°C TO +85°C
 MAX WIRE AWG: 24



855-003-103R00Y
 1 = GOLD FLASH
 4 = 10μ" GOLD



PANEL CUT-OUT

RoHS COMPLIANT

UNITS = INCHES [MM]

DO NOT SCALE FROM DRAWING

	THESE DRAWINGS AND SPECIFICATIONS ARE THE PROPERTY OF NorComp AND SHALL NOT BE REPRODUCED, COPIED OR USED AS THE BASIS FOR THE MANUFACTURE OR SALE OF APPARATUS WITHOUT WRITTEN PERMISSION.	DRAWN: M. SIGMON	DATE: 03-04-16		SCALE: NTS	SHEET 1 OF 1	REV 3
					DWG NO. 855-003-103R00Y		