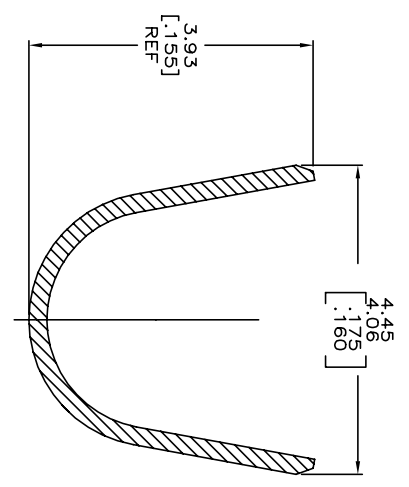


- 1. WIRE RANGE: 0.5-1.4MM² (20-16 AWG).
- 2. INSULATION RANGE: 2.01-3.20 [.079-.126] DIA.
- 3. 0.00076 [.000030] MIN GOLD PER IN LOCALIZED GOLD PLATE AREA AND 0.00254-0.00635 [.000100-.000250] BRIGHT TIN-LEAD PER IN LOCALIZED TIN-LEAD PLATE AREA OVER 0.00127 [.000050] MIN NICKEL.



FINISH	MATERIAL	PART NUMBER
△4	0.20 [.008] PH BRZ	1-794407-1
△4	0.20 [.008] BRASS	1-794407-0
△1	0.25 [.010] PHOS BRONZE	794407-6
PRE-TIN	0.25 [.010] PHOS BRONZE	794407-4
△1	0.25 [.010] BRASS	794407-3
PRE-TIN	0.25 [.010] BRASS	794407-1

SUPERCEDDED BY 1-794407-0

THIS DRAWING IS A CONTROLLED DOCUMENT.

DATE	10/03/03	BY	HOOPER
REV	1	DATE	10/03/03

TE CONNECTIVITY

DESCRIPTION	SOCKET
MINI UNIVERSAL MATE-N-LOK(TM)	

DATE CODE	794407
WEIGHT	0.000000

SCALE 10:1