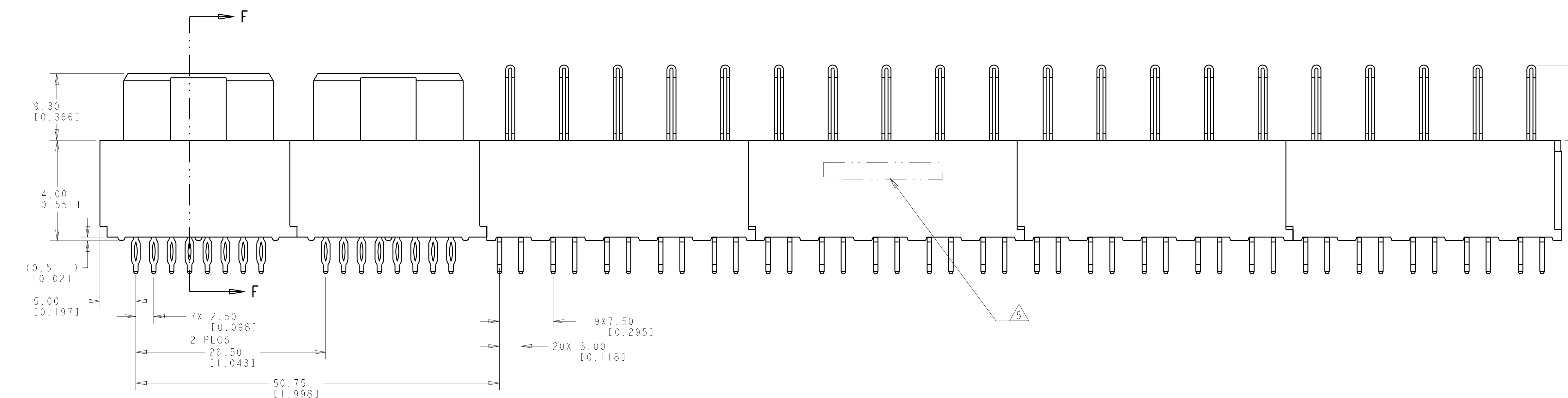
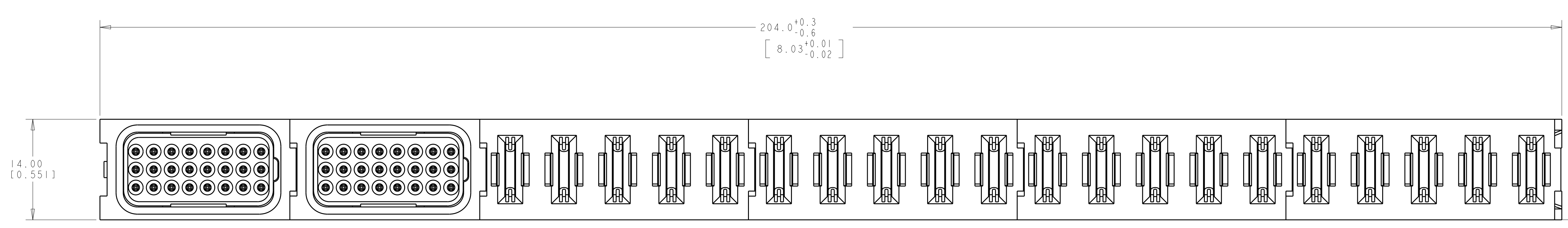
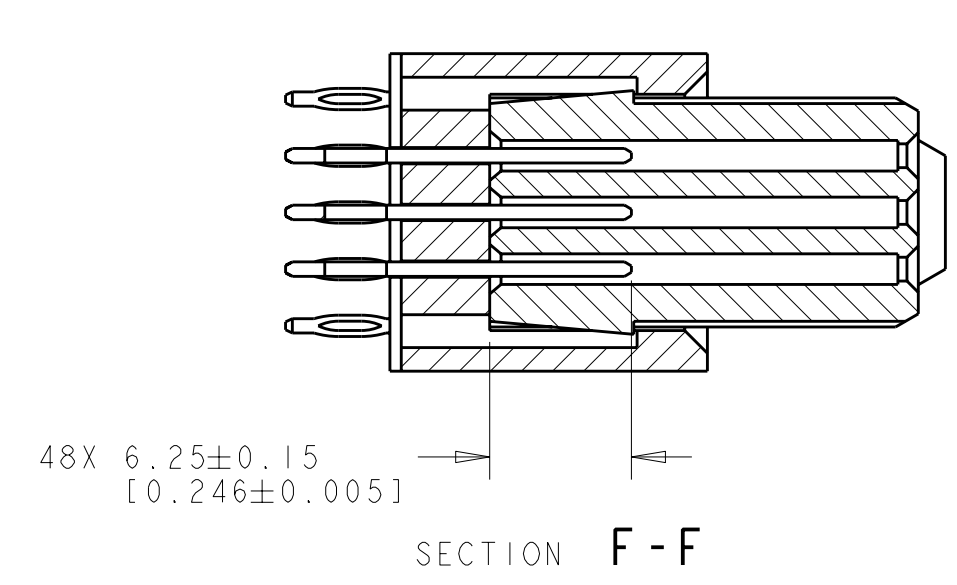
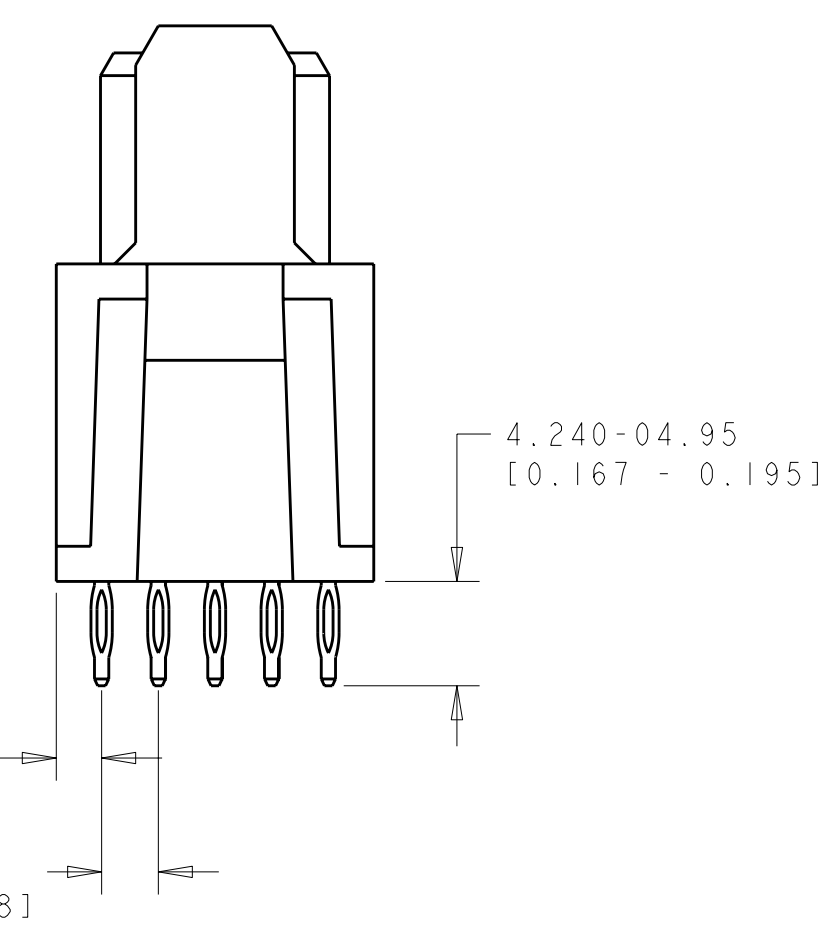


LOC	DIST	REVISIONS			
		REV	DATE	BY	APPD
GP	00	A	31AUG2006	GIP	DO



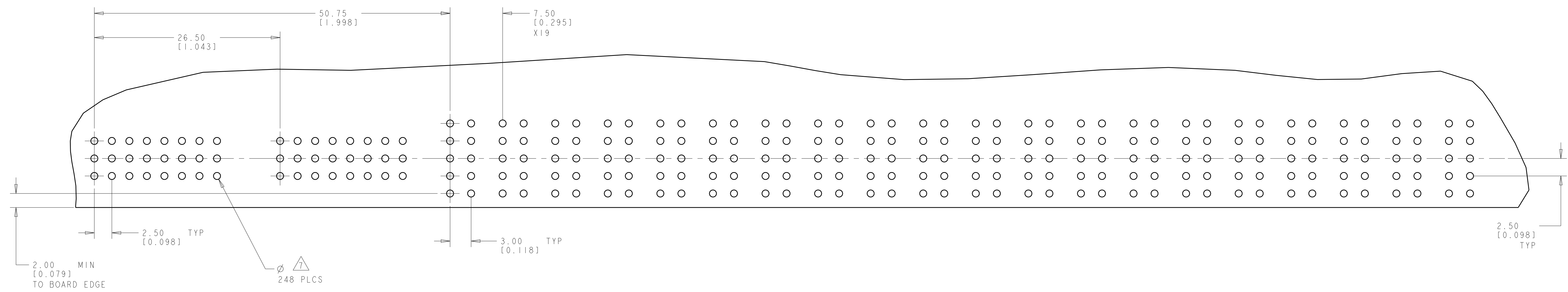
0.64 [0.025]



AS SHOWN	6646272-1
DESCRIPTION	PART NUMBER

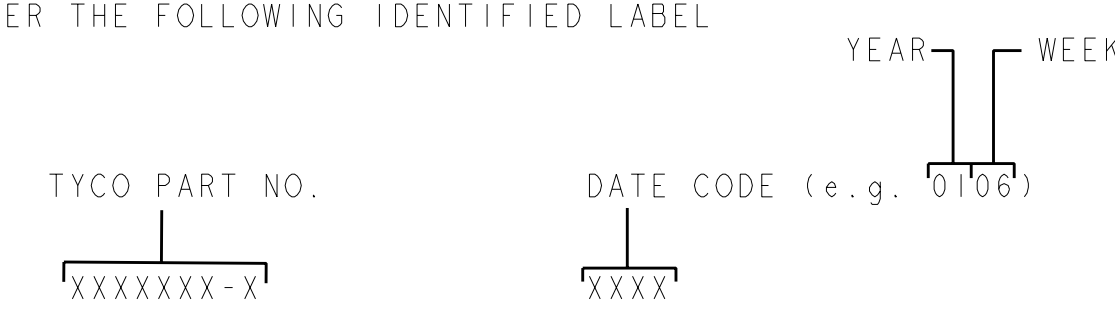
DIMENSIONS: mm 		TOLERANCES UNLESS OTHERWISE SPECIFIED: 0 PLC ± 0.3 1 PLC ± 0.3 2 PLC ± 0.15 3 PLC ± 0.13 4 PLC ± 0.001 ANGLES ± 5 FINISH -		DWN G. PETERS 31AUG2006 CHK D. ORRIS 31AUG2006 APVD S. FLICKINGER 31AUG2006 PRODUCT SPEC - APPLICATION SPEC - WEIGHT - CUSTOMER DRAWING		NAME CONNECTOR, SOCKET STRAIGHT, COMPLIANT TAILS FLATPAQ SIZE CAGE CODE DRAWING NO. RESTRICTED TO A100779 C=6646272 -	
MATERIAL - FINISH -		TYPICAL DIMENSIONS 		Tyco Electronics Harrisburg, PA 17105-3608		SCALE 2:1 SHEET 1 OF 3 REV A	

LOC	DIST	REV	DATE	BY	APPD
GP	00				



PRINTED CIRCUIT LAYOUT COMPONENT SIDE

- PART NUMBER CHANGES AND/OR DESIGN CHANGES AFFECTING ITEM INTERCHANGEABILITY REQUIRE PRIOR TYCO APPROVAL AND AUTHORIZATION BY REVISION TO THIS DRAWING.
- MATERIAL:
 - INSULATORS - THERMOPLASTIC, GLASS REINFORCED, COLOR: BLACK UL94V-0 FLAMMABILITY RATED.
 - POWER CONTACTS - PHOSPHOR BRONZE ALLOY, COPPER ALLOY
 - SOLDER SIGNAL PINS - BRASS ALLOY
 - COMPLIANT SIGNAL PIN - PHOSPHOR BRONZE
 - CROWN BAND - BERYLLIUM COPPER ALLOY
- FINISH:
 - CONTACTS - GOLD PLATED .00030 INCH MIN. THK. OVER NICKEL .00040 INCH MIN THK, SOLDER TAILS, TIN .000100 INCH MIN THK. OVER NICKEL .0005 MIN THK.
- CONTACT TYCO FOR RECOMMENDED PRESS TOOL DRAWING, FIX00229.
- ITEM PROVIDED TO THIS SPECIFICATION TO BE PERMANENTLY IDENTIFIED PER THE FOLLOWING IDENTIFIED LABEL

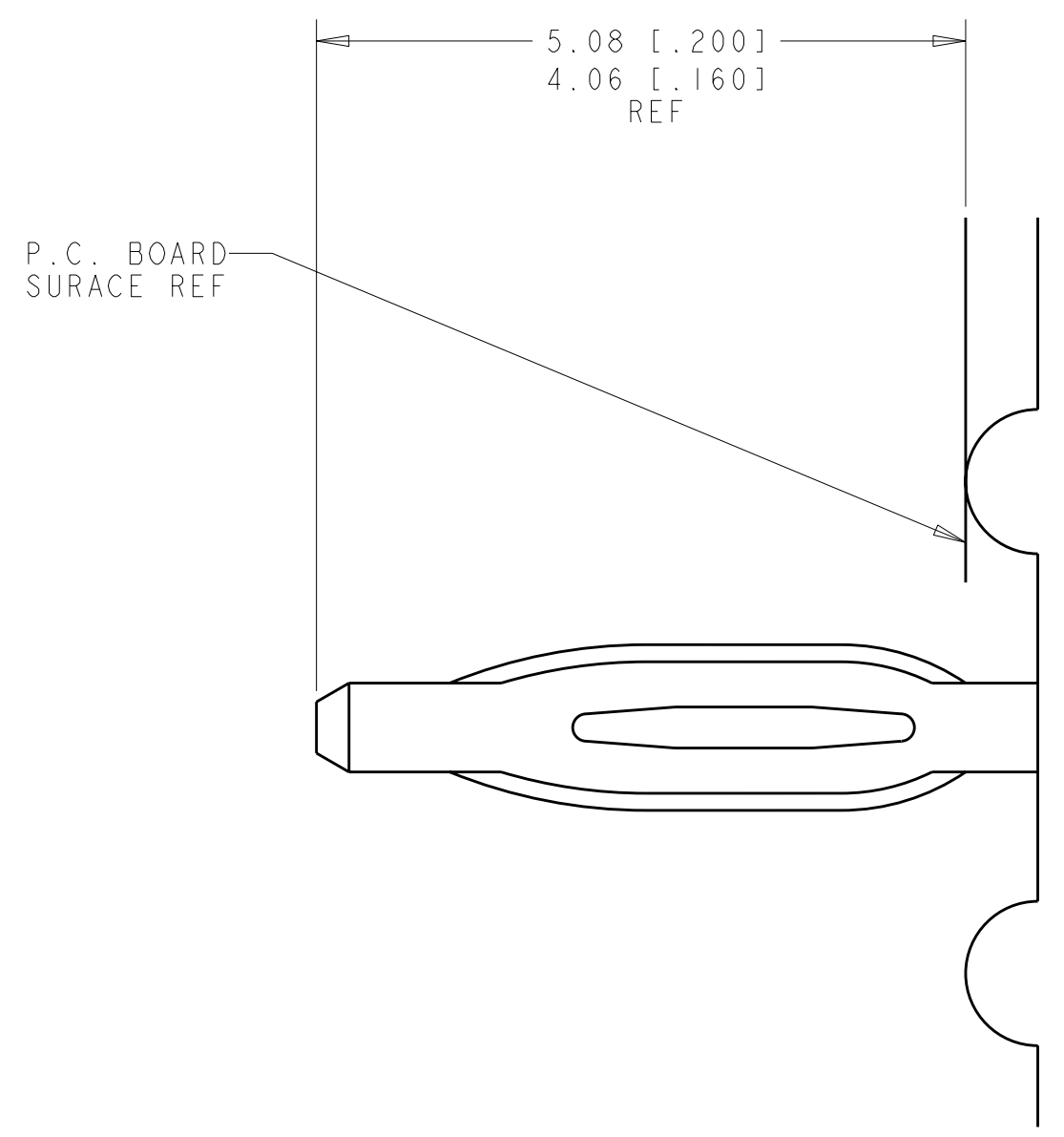


CONNECTOR	EQUIVALENT CATALOG MODULE #	MODULE QTY.	CONTACT QTY.	SIZE NO	MATING PIN	MAX. CURRENT (PER CONTACT)	CONTACT SPACING	VOLTAGE RATING
SOCKET	FP216	20	20	8	1.25 X 7.00 [.049 X .276]	35 amps	7.50 [1.2953]	600 VOLTS
	FP401	2	48	22	.64 [.025] SQ.	3 amps	2.50 [1.0984]	125 VOLTS

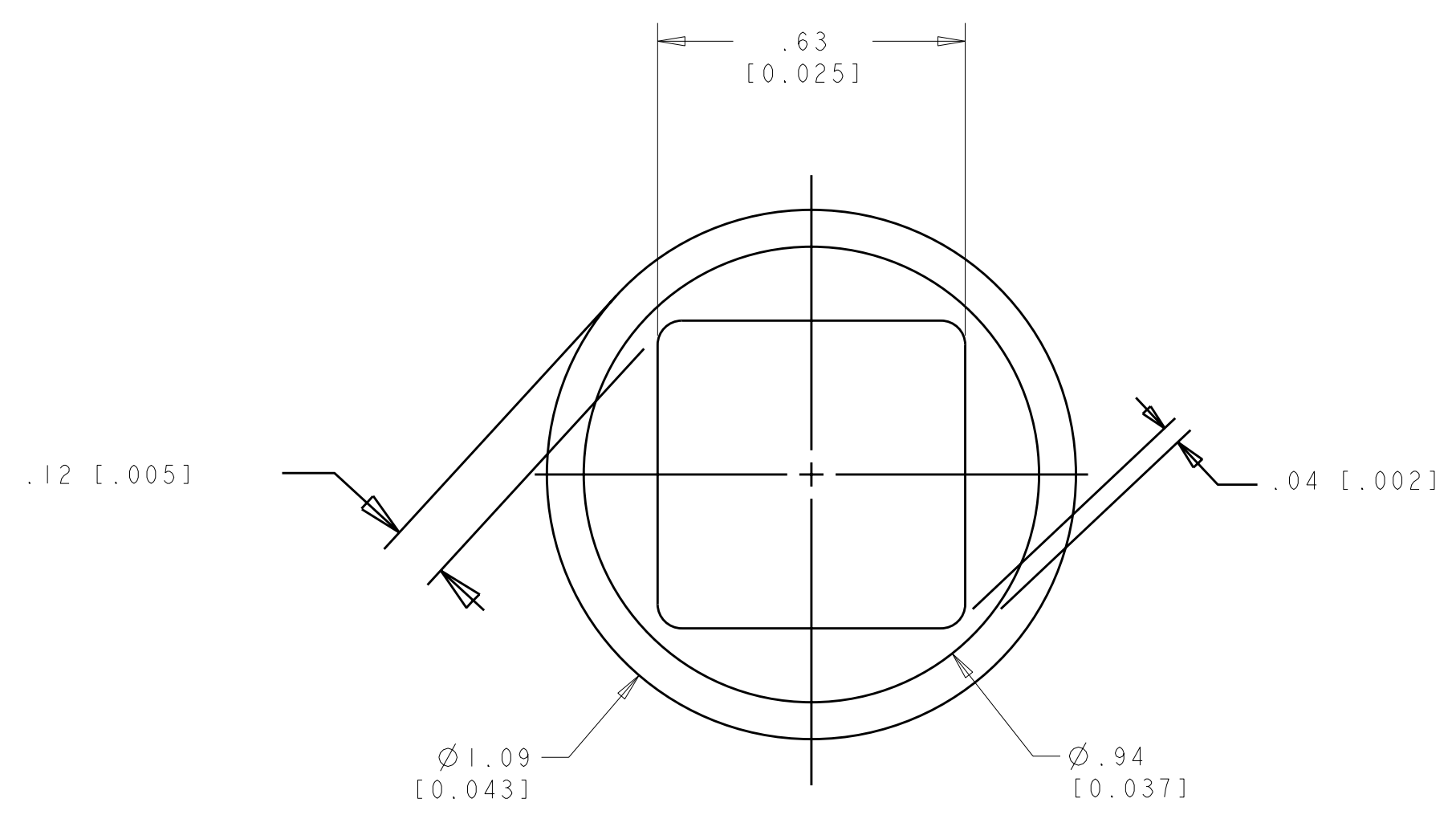
DIMENSIONS: mm 		TOLERANCES UNLESS OTHERWISE SPECIFIED: 9 PLC ±.3 1 PLC ±0.15 5 PLC ±0.013 4 PLC ±0.001 ANGLES ±.5 FINISH -		DWN G. PETERS 31AUG2006 CHK D. ORRIS 31AUG2006 APPD S. FLICKINGER 31AUG2006 NAME PRODUCT SPEC APPLICATION SPEC WEIGHT CUSTOMER DRAWING		Tyco Electronics Harrisburg, PA 17105-3608 CONNECTOR, SOCKET STRAIGHT, COMPLIANT TAILS FLATPAQ SIZE CAGE CODE DRAWING NO RESTRICTED TO A100779C=6646272 SCALE 2:1 SHEET 2 OF 3 REV A	
--------------------	--	--	--	---	--	---	--

THIS DRAWING IS UNPUBLISHED. RELEASED FOR PUBLICATION 20
 © COPYRIGHT 20 BY TYCO ELECTRONICS CORPORATION, ALL RIGHTS RESERVED.

LOC	DIST	REVISIONS					
		P	LTB	DESCRIPTION	DATE	DWN	APVD
GP	00	-	-	SEE SHEET 1	-	-	-



6. COMPLIANT PIN DETAIL
 SCALE 10:1
 INSERTION/EXTRACTION FORCES
 MAXIMUM PUSH IN: 133.3N PER PIN
 [30 LBS]
 MINIMUM PUSH OUT: 44.4N PER PIN
 [10 LBS]



7. SOLDER TERMINATION AREA
 SCALE 40:1
 RECOMMENDED PRINTED CIRCUIT HOLE
 SOLDER OR COMPLIANT PRESS FIT
 DRILLED HOLE: Ø1.15 [.0453] ± .013 [.0005]
 COPPER PLATE: .025 [.0010] TO .050 [.0020]
 TIN PLATE: .0005 [.000020] MIN. (PER SURFACE)

<small>THIS DRAWING IS UNPUBLISHED. RELEASED FOR PUBLICATION 20. © COPYRIGHT 20 BY TYCO ELECTRONICS CORPORATION, ALL RIGHTS RESERVED.</small>		DWN G. PETERS 31AUG2006 CHK D. ORRIS 31AUG2006 APVD S. FLICKINGER 31AUG2006	tyco Electronics Tyco Electronics Harrisburg, PA 17105-3608
DIMENSIONS: mm 	TOLERANCES UNLESS OTHERWISE SPECIFIED: 0 PLC ±.3 1 PLC ±0.3 2 PLC ±0.15 3 PLC ±0.013 4 PLC ±0.0001 ANGLES ±.5	NAME PRODUCT SPEC APPLICATION SPEC WEIGHT CUSTOMER DRAWING	CONNECTOR, SOCKET STRAIGHT, COMPLIANT TAILS FLATPAQ SIZE CAGE CODE DRAWING NO A100779C=6646272 SCALE 2:1 SHEET 3 OF 3 REV A