

6

5

4

3

2

1

E

E

D

D

C

C

B

B

A

A

FACE VIEW-FEMALE INSERT

NOTES:

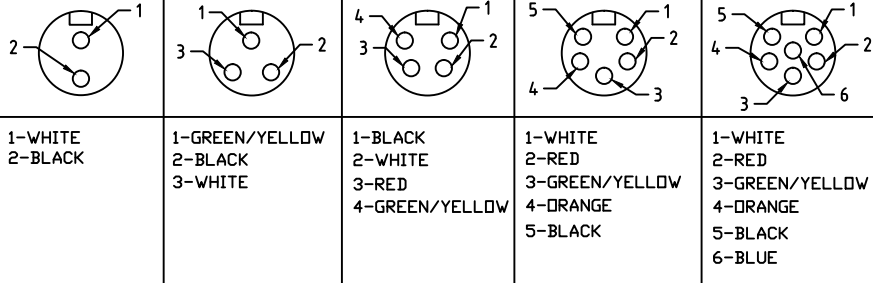
- 1. MATERIAL: SEE TABLE
- 2. FINISH: SEE TABLE
- 3. ELECTRICAL:
 - VOLTAGE: 2P THRU 6P 600V PER UL 2238
 - 3P 500V PER IEC60664
 - 4P 483V PER IEC60664
 - 5 & 6P 400V PER IEC60664

(A1)

CABLE LENGTH TOLERANCES

- >.3M [1FT]: +19mm-0 [+.75in-0]
- .3 - .9M [1 - 3FT]: +44.5mm-0 [+1.75in-0]
- .9 - 1.8M [3 - 6FT]: +55.6mm-0 [+2.19in-0]
- 1.8 - 3.7M [6 - 12FT]: +88.9mm-0 [+3.50in-0]
- 3.7 - 7.3M [12 - 24FT]: +165.1mm-0 [+6.50in-0]
- 7.3-14.6M [24 - 48FT]: +317.5mm-0 [+12.50in-0]
- 14.6 - 30.5M [48-100FT]: +622.3mm-0 [+24.50in-0]
- OVER 30M [100FT] +2% OF FINISHED LENGTH

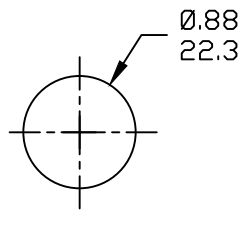
- CURRENT: 2P & 3P: 13A
- 4P: 10A
- 5P & 6P: 8A
- 4. TEMP RATING: -20°TO +105°C
- 5. PROTECTION: IP67 (WHEN MATED)
- (A1) 6. UL RECOGNIZED, FILE E152210
- 7. ALL DIMS ARE FOR REFERENCE UNLESS NOTED OTHERWISE



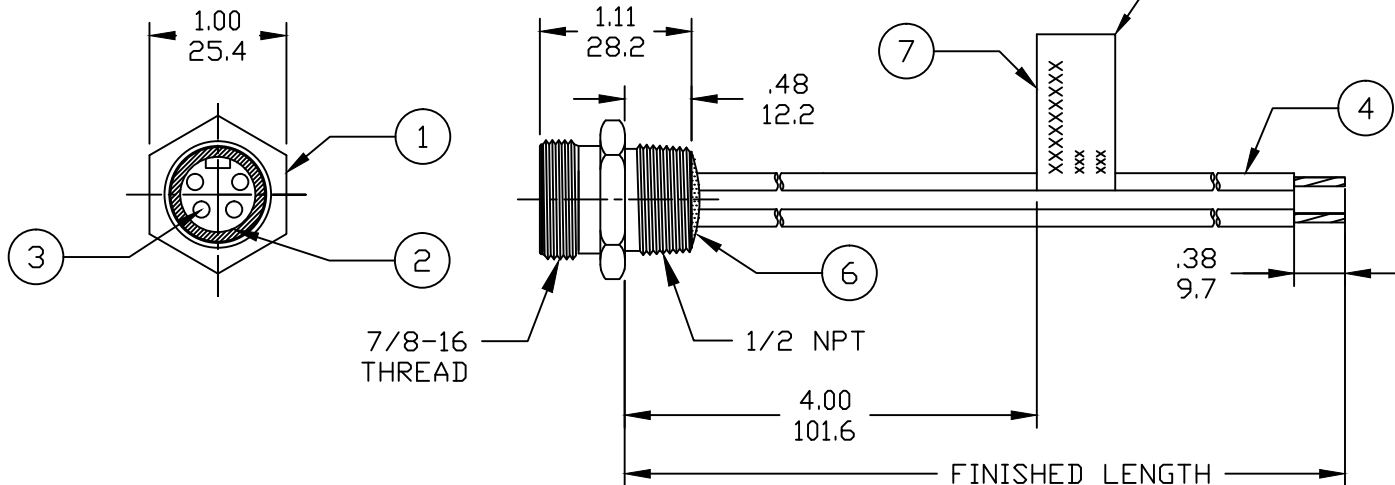
| | | | | |
|--------------------|--------------------------------------|---|---|---|
| 1-WHITE 2-BLACK | 1-GREEN/YELLOW 2-BLACK 3-WHITE | 1-BLACK 2-WHITE 3-RED 4-GREEN/YELLOW | 1-WHITE 2-RED 3-GREEN/YELLOW 4-ORANGE 5-BLACK | 1-WHITE 2-RED 3-GREEN/YELLOW 4-ORANGE 5-BLACK 6-BLUE |
|--------------------|--------------------------------------|---|---|---|

CHART (A1)

| PART NO. | ENGINEERING NO. | FINISHED LENGTH |
|------------|-----------------|-----------------|
| 1300130582 | 1R6004A20F120 | 12IN |
| 1300131164 | 1R5004A20M010 | 1.0M |
| 1300130328 | 1R4004A20F080 | 8.0FT |



REF. KNOCKOUT HOLE



PART NUMBER LEGEND

1R3004A20F020

- POLES: 2-6
- FINISHED LENGTH:
 - A120= 12 IN.
 - F020= 2 FEET
 - F100= 10 FEET

- M005= 0.5 METER
- M010= 1 METER
- M100= 10 METER

TABLE

| ITEM | DESCRIPTION | MATERIAL | FINISH |
|------|------------------------|----------------|--------------|
| 6 | FLAG LABEL | VINYL | BLACK/YELLOW |
| 5 | POTTING MATERIAL | EPDXY | |
| 4 | WIRE, 16 AWG UL (1015) | PVC INSULATION | SEE CHART |
| 3 | CONTACT SOCKET | COPPER ALLOY | GOLD PLATED |
| 2 | FEMALE INSERT | PVC | YELLOW |
| 1 | RECEPTACLE SHELL | ZINC DIE-CAST | BLACK |

REV'D EC/VOLTS, ADD UL FILE, CHART & TOOLS
 EC NO: IPC2017-1018
 DRWN: RSTONE 5/1/17
 CHKD: M ZIELIN 2017/05/08
 APPR: BWOODMAN

QUALITY SYMBOLS
 ▽=0
 ▽/C=0

GENERAL TOLERANCES (UNLESS SPECIFIED)

| | mm | INCH |
|----------|------|------|
| 4 PLACES | ±--- | ±--- |
| 3 PLACES | ±--- | ±--- |
| 2 PLACES | ±--- | ±--- |
| 1 PLACE | ±--- | ±--- |

ANGULAR ±1/2°

DRAFT WHERE APPLICABLE MUST REMAIN WITHIN DIMENSIONS

DIMENSION STYLE INCH/MM

SCALE ---

DESIGN UNITS INCH

THIRD ANGLE PROJECTION

TITLE MINI-CHANGE RECEPTACLE 2-6P FEMALE #16-1 PVC WIRES

MOLEX MOLEX INCORPORATED

MATERIAL NO. --

DOCUMENT NO. SD-130013-121

SHEET NO. 1 OF 1

SIZE A

THIS DRAWING CONTAINS INFORMATION THAT IS PROPRIETARY TO MOLEX INCORPORATED AND SHOULD NOT BE USED WITHOUT WRITTEN PERMISSION

6

5

4

3

2

1

E

E

D

D

C

C

B

B

A

A

FACE VIEW-FEMALE INSERT

NOTES:

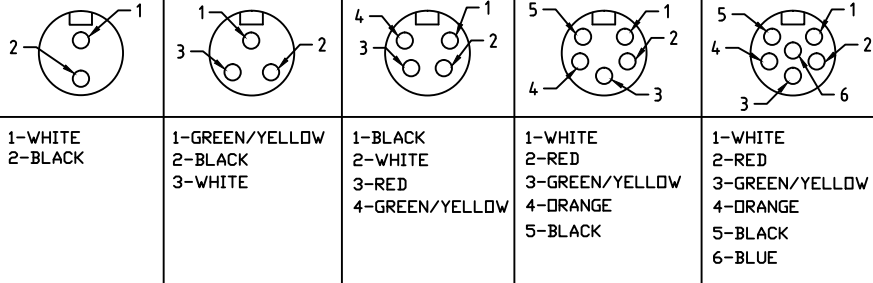
- 1. MATERIAL: SEE TABLE
- 2. FINISH: SEE TABLE
- 3. ELECTRICAL:
 - VOLTAGE: 2P THRU 6P 600V PER UL 2238
 - 3P 500V PER IEC60664
 - 4P 483V PER IEC60664
 - 5 & 6P 400V PER IEC60664

(A1)

CABLE LENGTH TOLERANCES

- >.3M [1FT]: +19mm-0 [+.75in-0]
- .3 - .9M [1 - 3FT]: +44.5mm-0 [+1.75in-0]
- .9 - 1.8M [3 - 6FT]: +55.6mm-0 [+2.19in-0]
- 1.8 - 3.7M [6 - 12FT]: +88.9mm-0 [+3.50in-0]
- 3.7 - 7.3M [12 - 24FT]: +165.1mm-0 [+6.50in-0]
- 7.3-14.6M [24 - 48FT]: +317.5mm-0 [+12.50in-0]
- 14.6 - 30.5M [48-100FT]: +622.3mm-0 [+24.50in-0]
- OVER 30M [100FT] +2% OF FINISHED LENGTH

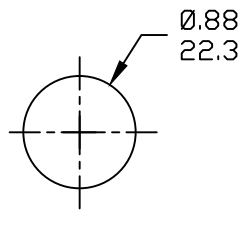
- CURRENT: 2P & 3P: 13A
- 4P: 10A
- 5P & 6P: 8A
- 4. TEMP RATING: -20°TO +105°C
- 5. PROTECTION: IP67 (WHEN MATED)
- (A1) 6. UL RECOGNIZED, FILE E152210
- 7. ALL DIMS ARE FOR REFERENCE UNLESS NOTED OTHERWISE



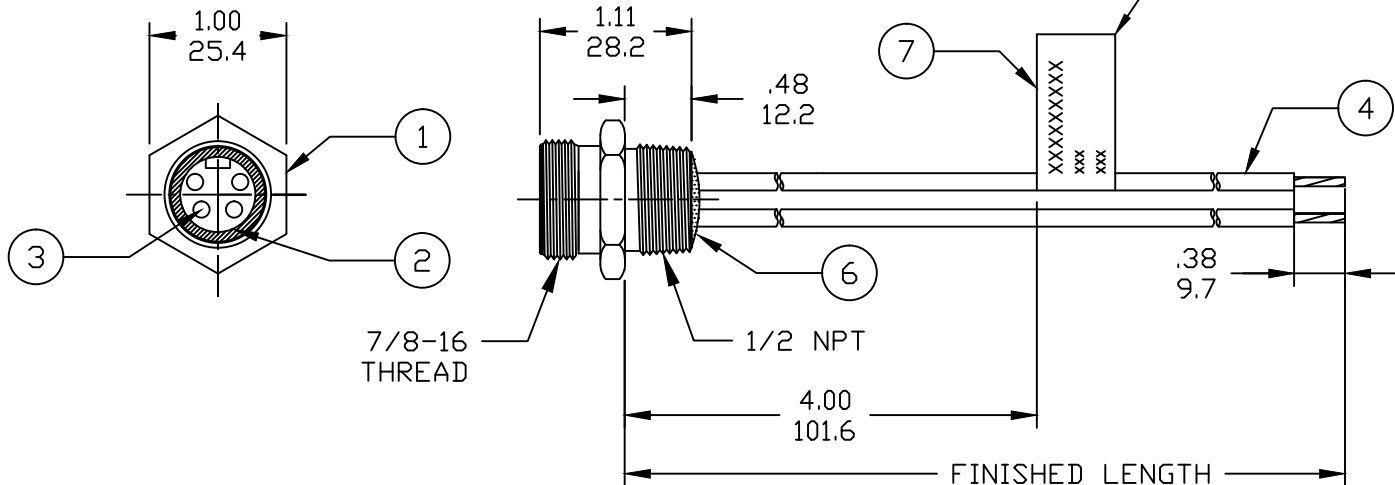
| | | | | |
|--------------------|--------------------------------------|---|---|---|
| 1-WHITE 2-BLACK | 1-GREEN/YELLOW 2-BLACK 3-WHITE | 1-BLACK 2-WHITE 3-RED 4-GREEN/YELLOW | 1-WHITE 2-RED 3-GREEN/YELLOW 4-ORANGE 5-BLACK | 1-WHITE 2-RED 3-GREEN/YELLOW 4-ORANGE 5-BLACK 6-BLUE |
|--------------------|--------------------------------------|---|---|---|

CHART (A1)

| PART NO. | ENGINEERING NO. | FINISHED LENGTH |
|------------|-----------------|-----------------|
| 1300130582 | 1R6004A20F120 | 12IN |
| 1300131164 | 1R5004A20M010 | 1.0M |
| 1300130328 | 1R4004A20F080 | 8.0FT |



REF. KNOCKOUT HOLE



PART NUMBER LEGEND

1R3004A20F020

- POLES: 2-6
- FINISHED LENGTH:
 - A120= 12 IN.
 - F020= 2 FEET
 - F100= 10 FEET

- M005= 0.5 METER
- M010= 1 METER
- M100= 10 METER

TABLE

| ITEM | DESCRIPTION | MATERIAL | FINISH |
|------|------------------------|----------------|--------------|
| 6 | FLAG LABEL | VINYL | BLACK/YELLOW |
| 5 | POTTING MATERIAL | EPDXY | |
| 4 | WIRE, 16 AWG UL (1015) | PVC INSULATION | SEE CHART |
| 3 | CONTACT SOCKET | COPPER ALLOY | GOLD PLATED |
| 2 | FEMALE INSERT | PVC | YELLOW |
| 1 | RECEPTACLE SHELL | ZINC DIE-CAST | BLACK |

REV'D EC/VOLTS, ADD UL FILE, CHART & TOOLS
 EC NO: IPG2017-1018
 DRWN: RSTONE 5/1/17
 CHKD: M ZIELIN 2017/05/08
 APPR: BWOODMAN

QUALITY SYMBOLS
 ▽=0
 ▽/C=0

GENERAL TOLERANCES (UNLESS SPECIFIED)

| | mm | INCH |
|----------|------|------|
| 4 PLACES | ±--- | ±--- |
| 3 PLACES | ±--- | ±--- |
| 2 PLACES | ±--- | ±--- |
| 1 PLACE | ±--- | ±--- |

ANGULAR ±1/2°

DRAFT WHERE APPLICABLE MUST REMAIN WITHIN DIMENSIONS

DIMENSION STYLE INCH/MM

SCALE ---

DESIGN UNITS INCH

THIRD ANGLE PROJECTION

TITLE MINI-CHANGE RECEPTACLE 2-6P FEMALE #16-1 PVC WIRES

MOLEX MOLEX INCORPORATED

MATERIAL NO. --

DOCUMENT NO. SD-130013-121

SHEET NO. 1 OF 1

SIZE A

THIS DRAWING CONTAINS INFORMATION THAT IS PROPRIETARY TO MOLEX INCORPORATED AND SHOULD NOT BE USED WITHOUT WRITTEN PERMISSION