

PART NO.	ENGINEERING NO.	FINISHED LENGTH
1201080009	E66A06002M005	0.5M [1FT 8IN]
1201080008	E66A06002M010	1.0M [3FT 3IN]
1201080007	E66A06002M020	2.0M [6FT 7IN]
1201080004	E66A06002M050	5.0M [16FT 5IN]
1300480034	E66A06002M100	10.0M [32FT 10IN]

PART NUMBER LEGEND

E66A06002M010

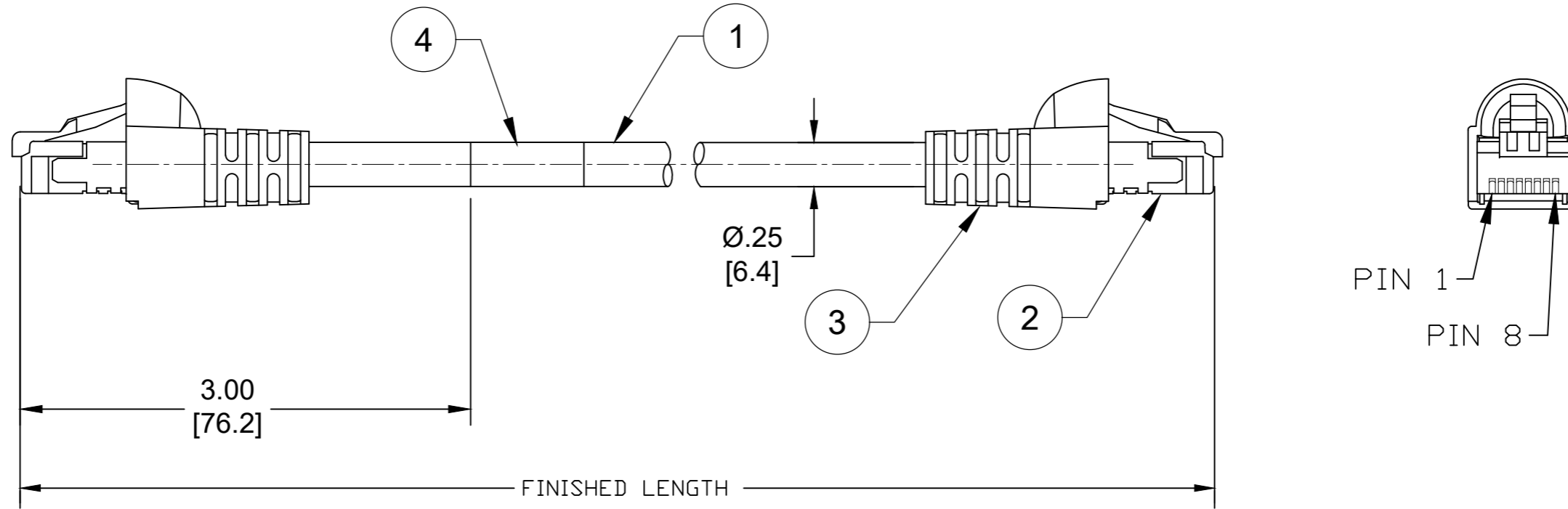
FINISHED LENGTH:

M005= 0.5 METER

M010= 1.0 METER

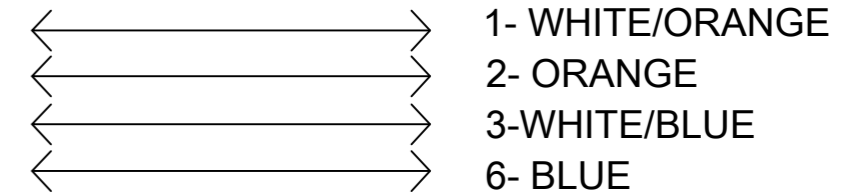
M100= 10.0 METERS

CABLE LENGTH TOLERANCES	
>.3M [1FT]:	+19mm-0 [+ .75in-0]
.3 - .9M [1 - 3FT]:	+44.5mm-0 [+1.75in-0]
.9 - 1.8M [3 - 6FT]:	+55.6mm-0 [+2.19in-0]
1.8 - 3.7M [6 - 12FT]:	+88.9mm-0 [+3.50in-0]
3.7 - 7.3M [12 - 24FT]:	+165.1mm-0 [+6.50in-0]
7.3-14.6M [24 - 48FT]:	+317.5mm-0 [+12.50in-0]
14.6 - 30.5M [48-100FT]:	+622.3mm-0 [+24.50in-0]
OVER 30M [100FT]:	+2% OF FINISHED LENGTH



NOTES:

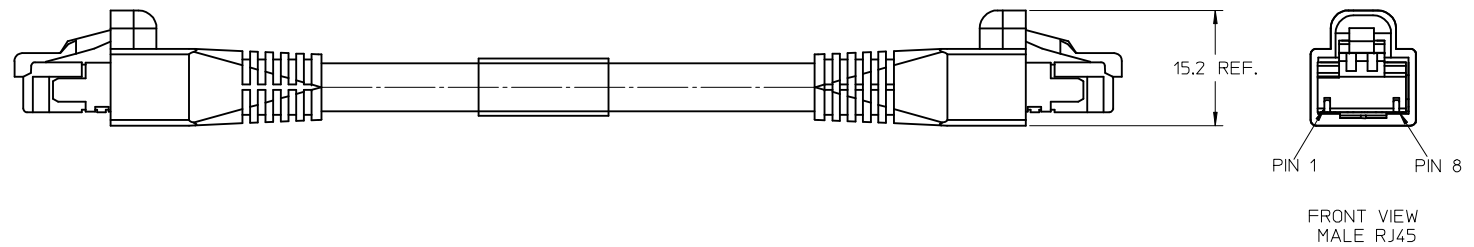
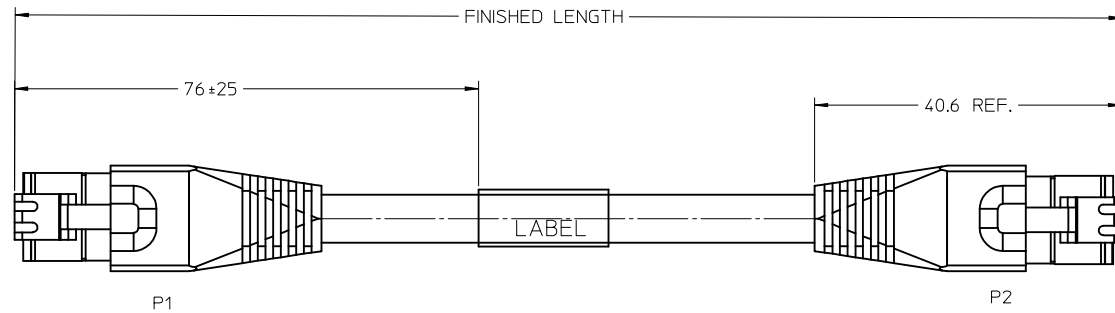
- MATERIAL: AS NOTED
- FINISH: AS NOTED
- ELECTRICAL:
VOLTAGE: 125V DC
CURRENT: 1.5A
- ALL DIMS ARE FOR REFERENCE UNLESS TOLERANCED OR NOTED OTHERWISE



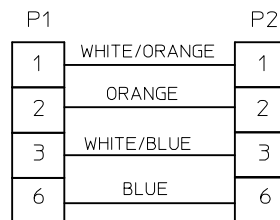
ITEM	DESCRIPTION	MATERIAL	FINISH
4	WRAP LABEL	VINYL	BLACK/WHITE
3	RJ45 BOOT (HOODED)	PVC	BLACK
2	RJ45 PLUG	PC/CU ALLOY	CLEAR/GOLD PLATED CONTACTS
1	CABLE, 2 PAIR, 24AWG	PVC JACKET	TEAL

(A1)

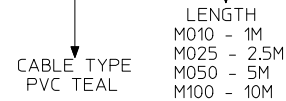
FUNCTIONAL SYMBOLS									
$F_A=0$	$F_C=0$	$F_P=0$	THIS DRAWING CONTAINS INFORMATION THAT IS PROPRIETARY TO MOLEX ELECTRONIC TECHNOLOGIES, LLC AND SHOULD NOT BE USED WITHOUT WRITTEN PERMISSION						
DIMENSION UNITS		SCALE		CURRENT REV DESC: LABEL COLOR WAS YELLOW					
INCH/MM		1:1		molex ETHERNET CABLE RJ45 TO RJ45 ---- PRODUCT CUSTOMER DRAWING					
GENERAL TOLERANCES (UNLESS SPECIFIED)									
4 PLACES		±----	±----	EC NO: 694191 DRWN: RSTONE 2022/02/01 CHK'D: CCHRSTKA 2022/02/02 APPR: BWOODMAN 2022/02/04					
3 PLACES		±----	±----	INITIAL REVISION: DRWN: RSTONE 2020/08/17 APPR: BWOODMAN 2020/08/27					
2 PLACES		±----	±----	DOCUMENT NUMBER: 1201080004 DOC TYPE: PSD DOC PART: 000 REVISION: A1					
1 PLACE		±----	±----	MATERIAL NUMBER: 120108 CUSTOMER: ---- SHEET NUMBER: 1 OF 1					
0 PLACES		±----	±----	DRAFT WHERE APPLICABLE MUST REMAIN WITHIN DIMENSIONS THIRD ANGLE PROJECTION DRAWING: B-SIZE SERIES: 120108					
ANGULAR TOL ± ---- °									



WIRE DIAGRAM



E66A06002M010



NOTES:
 MECHANICAL
 RJ45
 PLUG: CLEAR POLYCARBONATE
 BOOT: BLACK PVC

 CABLE: 24AWG 2 PAIR CONDUCTORS TEAL PVC JACKET

 WRAP LABEL: MARKED WITH P/N, DATE CODE, VOLTAGE & AMPERAGE

 ELECTRICAL:
 ACCORDING TO CAT5e
 VOLTAGE RATING 30V AC/DC
 AM[ERAGE: 1.5A

RELEASED EC NO: JGZ016-1031 DRAWN: GGUSTAFSON 2016/01/22 CHKD: MZIEL INSKI 2016/02/19 APPR: BWOODMAN 2016/02/24 REV A	DESCRIPTION QUALITY SYMBOLS ▽=0 ▽=0	GENERAL TOLERANCES (UNLESS SPECIFIED)		DIMENSION STYLE MM ONLY		SCALE 2:1	DESIGN UNITS METRIC	THIRD ANGLE PROJECTION		
				DRAWN BY GGUSTAFSON	DATE 2016/01/22	TITLE ENET RJ45/RJ45 2PR MALE/MALE #24AWG TEAL PVC				
				CHECKED BY MZIEL INSKI	DATE 2016/02/19	molex				
				APPROVED BY BWOODMAN	DATE 2016/02/24					
		ANGULAR ± .5 °		MATERIAL NO.		DOCUMENT NO. SD-120108-094		SHEET NO. 1 OF 1		
		DRAFT WHERE APPLICABLE MUST REMAIN WITHIN DIMENSIONS		THIS DRAWING CONTAINS INFORMATION THAT IS PROPRIETARY TO MOLEX INCORPORATED AND SHOULD NOT BE USED WITHOUT WRITTEN PERMISSION						